

## Mod. G7560 - Fittings Series 7000 - Automation

Product code: G7560 12-10

Datasheet creation date: 12/12/2025 08:32

Check the most updated document online [click here](#)

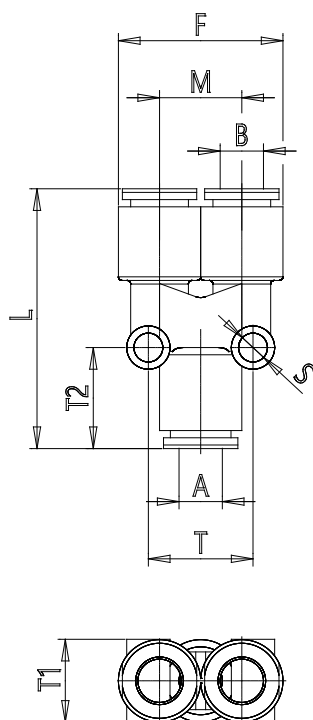


### TECHNICAL DATA

|      |             |
|------|-------------|
| Mod. | G7560 12-10 |
|------|-------------|

## Mod. G7560 - Fittings Series 7000 - Automation

Product code: G7560 12-10



### DIMENSIONS

|                   |      |
|-------------------|------|
| <b>A (mm)</b>     | 12   |
| <b>B (mm)</b>     | 10   |
| <b>F (mm)</b>     | 40.0 |
| <b>L (mm)</b>     | 55.0 |
| <b>M (mm)</b>     | 20.0 |
| <b>S (mm)</b>     | 4    |
| <b>T (mm)</b>     | 22.0 |
| <b>T1 (mm)</b>    | 20.0 |
| <b>T2 (mm)</b>    | 19.0 |
| <b>Weight (g)</b> | 34.0 |