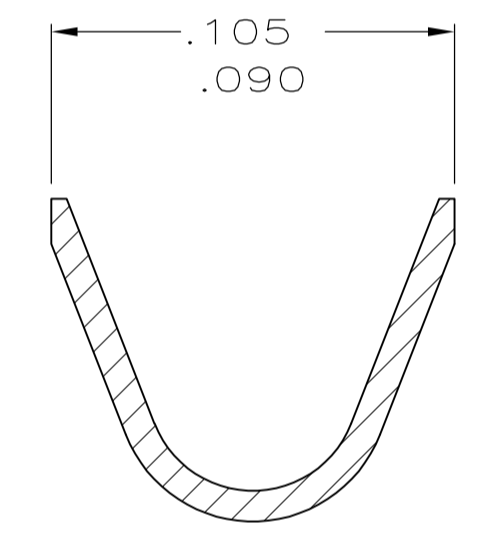
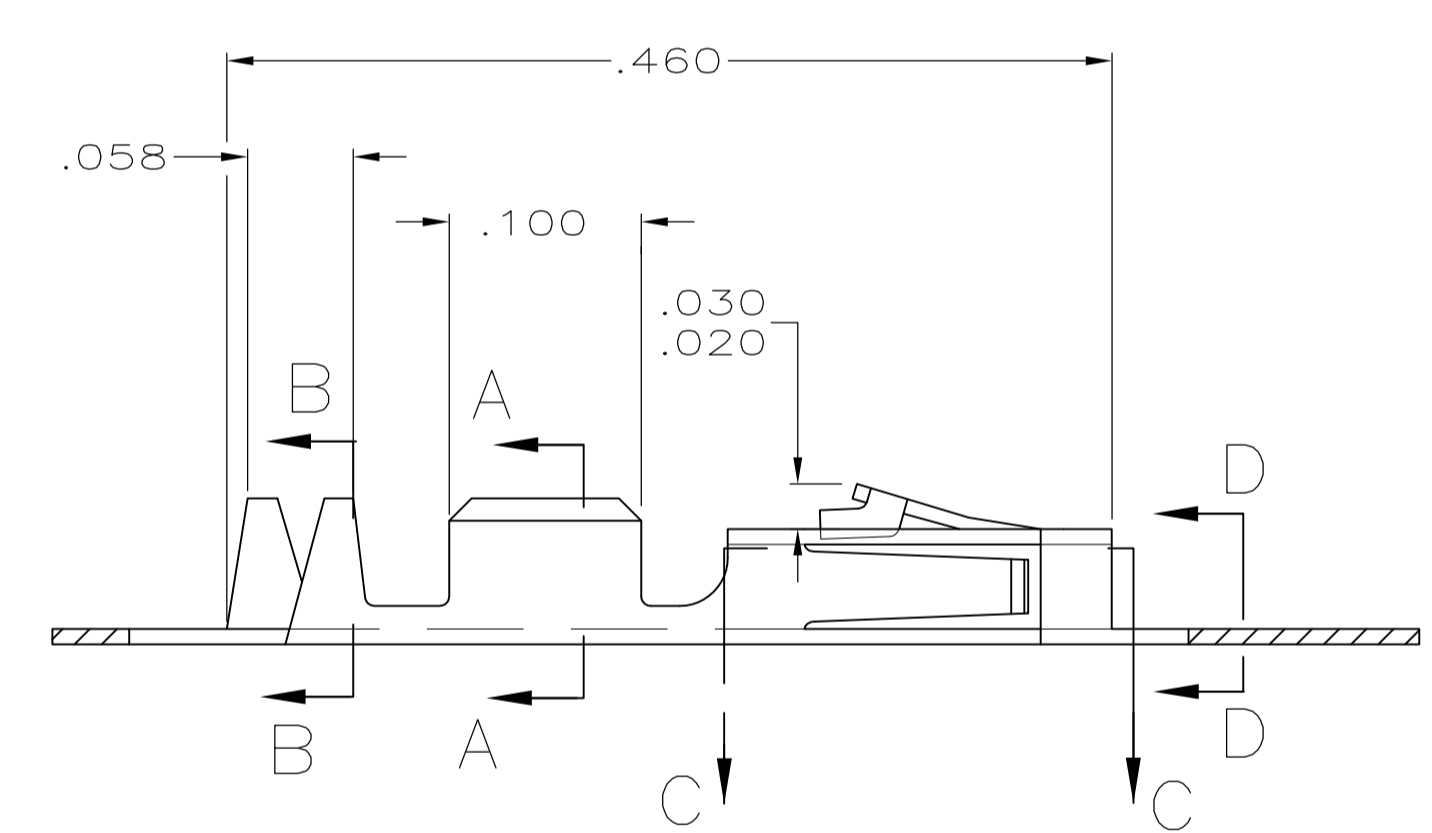
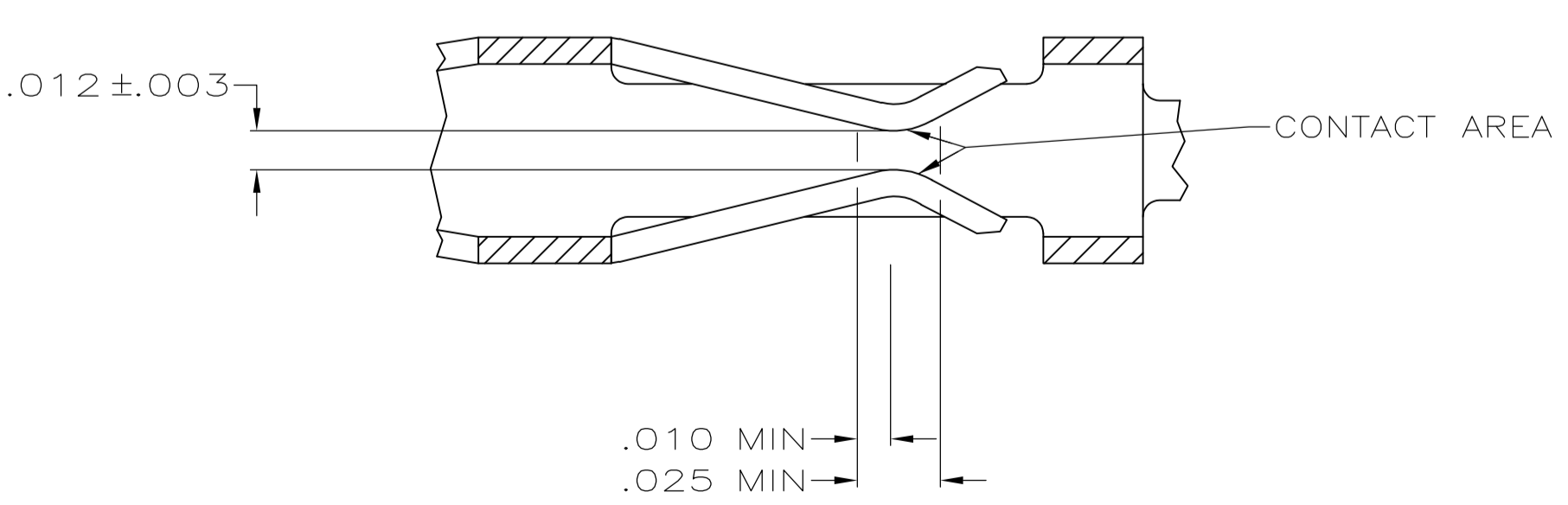


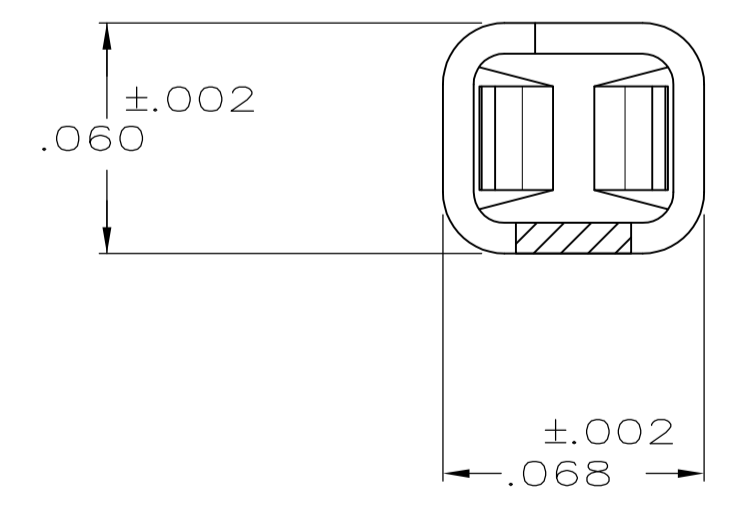
SECTION A-A
SCALE 20:1



SECTION B-B
INSULATION RANGE .025-.060
SCALE 20:1



SECTION C-C
SCALE 20:1



SECTION D-D
SCALE 20:1

- 1 .000100 MIN BRIGHT TIN-LEAD OVER .000050 MIN NICKEL ON ENTIRE CONTACT
- 2 .000050 MIN NICKEL ON ENTIRE CONTACT; .000015 MIN GOLD ON CONTACT AREA; .000050 MIN BRIGHT TIN-LEAD ON AREA M.
- 3 .000050 MIN NICKEL ON ENTIRE CONTACT; .000030 MIN GOLD ON CONTACT AREA; .000050 MIN BRIGHT TIN-LEAD ON AREA M.
- 4 LOOSE PIECE CUT-OFF DIMENSION.
- 5 .000100-.000200 TIN OVER .000050-.000100 NICKEL ON ENTIRE CONTACT.
- 6 PREPLATED MATERIAL: (.000015 MIN GOLD ON CONTACT AREA, .000050-.000100 TIN ON AREA M, ALL OVER .000050-.000100 NICKEL ON ENTIRE CONTACT).
- 7 PREPLATED MATERIAL: (.000030 MIN GOLD ON CONTACT AREA, .000050-.000100 TIN ON AREA M, ALL OVER .000050-.000100 NICKEL ON ENTIRE CONTACT).

| REMARKS | FINISH | PART NO |
|-------------|--------|----------------|
| LOOSE PIECE | 7 | REF 1-104479-3 |
| LOOSE PIECE | 6 | REF 1-104479-2 |
| LOOSE PIECE | 5 | REF 1-104479-1 |
| STRIP | 7 | 1-104479-0 |
| STRIP | 6 | 104479-9 |
| STRIP | 5 | 104479-8 |
| LOOSE PIECE | 3 | REF 104479-7 |
| LOOSE PIECE | 2 | REF 104479-6 |
| LOOSE PIECE | 1 | REF 104479-5 |
| STRIP | 3 | 104479-4 |
| STRIP | 2 | 104479-3 |
| STRIP | 1 | 104479-2 |

THIS DRAWING IS A CONTROLLED DOCUMENT.

| | | | | | |
|--------------------------|--|-----------------------|---|------------|-------------------------------|
| DIMENSIONS: INCHES | TOLERANCES UNLESS OTHERWISE SPECIFIED: | DIN C. OBERMAN 5-9-89 | DRW | C. OBERMAN | 5-9-89 |
| | 0. PLC ± - | CHK K. HELM 5-12-89 | APPV | K. HELM | 5-12-89 |
| | 1. PLC ± - | NAME | STE TE Connectivity | | |
| | 2. PLC ± - | PRODUCT SPEC | CONTACT, CRIMP SNAP-IN AMPMODU SHORT POINT, 20-24 AWG | | |
| | 3. PLC ± .005 | APPLICATION SPEC | 108-1472 | | |
| | 4. PLC ANGLES ± - | SIZE | CAGE CODE | DRAWING NO | RESTRICTED TO |
| MATERIAL PHOSPHOR BRONZE | FINISH SEE TABLE | 114-25038 | A1 | 00779 | 104479 |
| | | WEIGHT | CUSTOMER DRAWING | | SCALE 10:1 SHEET 1 OF 1 REV 1 |