


**Aurora Bearing Company**

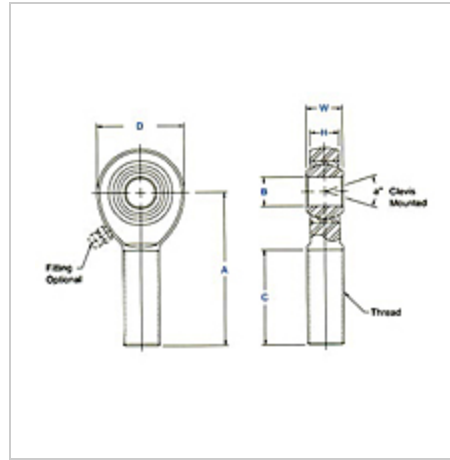
901 Aucutt Rd.

Montgomery, IL 60538

Phone: 630.859.2030 • Fax: 630.859.0971

Email: [customersupport@aurorabearing.com](mailto:customersupport@aurorabearing.com) • Website: [www.aurorabearing.com](http://www.aurorabearing.com)
**Item # XM-4, XM & XB Series Male Rod Ends, Extra Strength - Heavy Duty Shank (PTFE Liners Available)**

- Body - Low carbon steel protective coated for corrosion resistance.
- Ball - Alloy steel, heat treated, hard chrome plated.
- Race - Alloy steel, heat treated protective coated for corrosion resistance. (Low carbon steel with PTFE liners).
- All sizes solid shank type.
- Grease Fitting available for all sizes. Units are supplied without grease fittings. When a grease fitting is required, specify by adding suffix "Z" or "F". Ex.: XM-6Z = Zerk Type Fitting XM-6F = Flush Type Fitting.
- Load ratings apply


[+ more](#)
[Specifications](#) | [XM & XB Note](#)
**Specifications**

<b>Thread Type</b>	Right Hand
<b>Thread Configuration</b>	Male
<b>B - Ball Bore</b>	.2500 in
<b>W - Ball Width</b>	.375 in
<b>H - Head Width</b>	.281 in
<b>A - Base to Center</b>	1.875 in
<b>D - Head Diameter</b>	.875 in
<b>Ball Diameter</b>	.500 in
<b>C - Thread Length</b>	1.250 in
<b>Thread Size</b>	5/16-24

<b>Thread Class</b>	UNF-3A
---------------------	--------

<b>a - Misalignment Angle Clevis Mounted</b>	13 °
--	------

<b>Ultimate Radial Static Load Capacity</b>	3,467 lbs
---	-----------

<b>Approximate Brg. Weight</b>	.07 lb
--------------------------------	--------

<b>Options</b>	Stud
----------------	------

<b>Type of Lubrication</b>	None
----------------------------	------

#### XM & XB Note

For dimensional tolerances of listed features, see the PDF version of the catalog under the "View Product Catalogs" tab from the home page.