

Mod. G7580 - Fittings Series 7000 - Automation

Product code: G7580 10

Datasheet creation date: 12/12/2025 08:32

Check the most updated document online [click here](#)

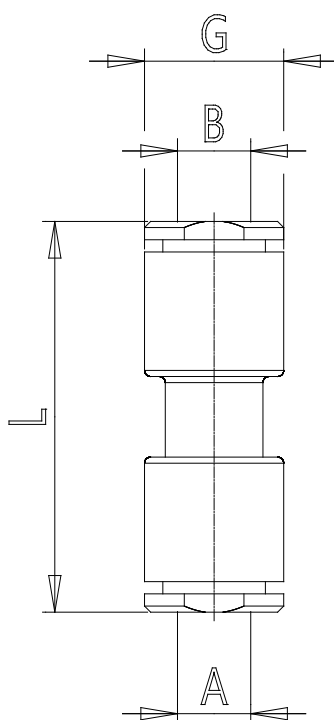


TECHNICAL DATA

Mod.	G7580 10
------	----------

Mod. G7580 - Fittings Series 7000 - Automation

Product code: G7580 10



DIMENSIONS

A (mm)	10
B (mm)	10
GD (mm)	16.3
L (mm)	42.0
Weight (g)	5.0