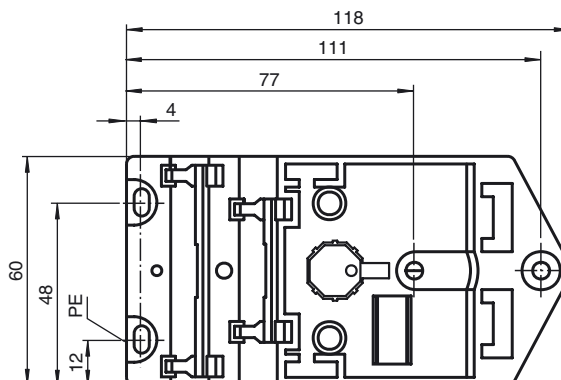




Dimensions



Model Number

U-G3FF

AS-Interface module mounting base for connection to flat cable (AS-Interface and external auxiliary power)

Function

The U-G3FF base is used for the connection of the G2 modules with small design to AS-Interface. In case of mounting the module the inserted flat cables are pressed into the contact prongs of the module and connected. For some modules this upper part establishes the connection to earth.

Technical data

Ambient conditions

Ambient temperature	-25 ... 60 °C (248 ... 333 K)
Storage temperature	-40 ... 85 °C (233 ... 358 K)

Mechanical specifications

Protection degree	IP67 according to EN 60529 (only in connection with module or cover)
Connection	AS-Interface flat cable
Dimensions	about 119, 60, 10 mm (L, W, H)

VBA-4E-G2-ZA
AS-Interface sensor module

VBA-4E-G2-ZA0
AS-Interface sensor module

VBA-2E2A-G2-ZEJ/XE2J
AS-Interface sensor/actuator module

VBA-2E2A-G2-ZA/EA2
AS-Interface sensor/actuator module

VBA-2E2A-G2-ZA0/EA0
AS-Interface sensor/actuator module

VBA-2E2A-G2-ZE/E2
AS-Interface sensor/actuator module

VAZ-2T5-G2
AS-Interface splitter box

VAA-4E-G2-ZA
AS-Interface sensor module

VAA-4E-G2-ZA0
AS-Interface sensor module

VAA-4A-G2-EA2
AS-Interface actuator module

VAA-2EA-G2-ZA/EA2
AS-Interface sensor/actuator module

VAA-2E2A-G2-S/EA2
AS-Interface safety module

VAA-2E-G2-S
AS-Interface safety module

VAA-4A-G2-EA0
AS-Interface actuator module

VAA-4A-G2-E2
AS-Interface actuator module

VAA-4E-G2-ZE0
AS-Interface sensor module

VAA-4E4A-G2-ZE-LG-Y188116
AS-Interface sensor module

VAA-4E-G2-ZE
AS-Interface sensor module

VAA-2EA-G2-ZA0/EA0
AS-Interface sensor/actuator module

VAA-2EA-G2-ZE0/E0
AS-Interface sensor/actuator module

VAA-2*EA-G2-ZE/E2
AS-Interface sensor/actuator module

VAA-2EA-G2-ZE/E2
AS-Interface sensor/actuator module

VBA-4E2A-G2-XE/E2
AS-Interface sensor/actuator module

Release date: 2009-07-16 09:53 Date of issue: 2009-07-16 050632_ENG.xml