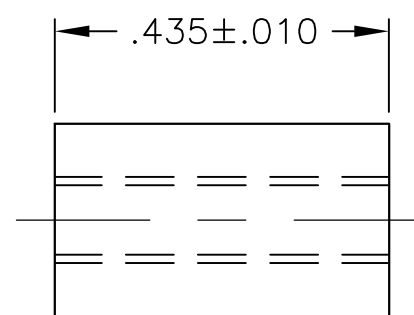
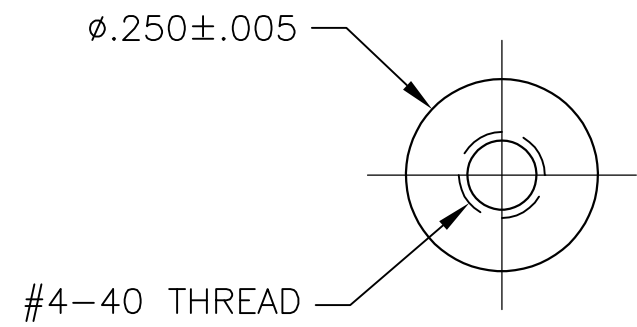

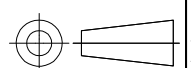


THIS DRAWING IS UNPUBLISHED. RELEASED FOR PUBLICATION
 © COPYRIGHT - By - ALL RIGHTS RESERVED.

LOC	DIST	REVISIONS					
		P	LTR	DESCRIPTION	DATE	DWN	APVD
GP	00		B1	REVISED PER ECO-11-004835	11MAR11	RK	HMR



BULK PACKAGED	2	5205933-4
ONE KIT PER BAG	2	5205933-3
PACKAGING	QTY	PART NUMBER

THIS DRAWING IS A CONTROLLED DOCUMENT.		DWN J.GERACE 27MAR06	 TE Connectivity		
DIMENSIONS: INCHES		CHK C.ROHDE 27MAR06			
		APVD M.WALMSLEY 27MAR06	NAME STAND OFF BUSHING, AMPLIMITE		
TOLERANCES UNLESS OTHERWISE SPECIFIED:		PRODUCT SPEC	-		
0 PLC ± -		APPLICATION SPEC	-		
1 PLC ± -		WEIGHT	-		
2 PLC ± -		SIZE	CAGE CODE	DRAWING NO	RESTRICTED TO
3 PLC ± -		A3 00779		C-5205933	-
4 PLC ± -		CUSTOMER DRAWING			
ANGLES ± -		SCALE		SHEET	REV
FINISH		4:1		1 OF 1	B1
MATERIAL					
ROHS COMPLIANT ALUMINUM					