

## Features

- Flexible and durable H05VVF3G0.75- pvc cable
- European plug VIIG-CEE (7)
- Moulded IEC -C5 Connector
- Integrated strain relief for connection support and protection

## RS PRO 2.00m Power cable C5, IEC to VIIG CEE (7) 2.5A 250 V

RS Stock No.: 0771788



RS PRO is the own brand of RS. The RS PRO Seal of Approval is your assurance of professional quality, a guarantee that every part is rigorously tested, inspected, and audited against demanding standards. Making RS PRO the Smart Choice for our customers.

## Product Description

- From RS PRO a high quality and durable power cord used for connecting an appliance to a mains power supply. This power cord is fully equipped with a European (VIIG) 2-Pin and Earth strip on one end and an IEC C5 type connector on the other that connects to the appliance. The power cord is fully moulded and features integrated strain reliefs that provide additional protection and support to the connectors, with a cable length of 2.00mtrs.

## General Specifications

<b>Connector A</b>	C5, IEC Female - Straight
<b>Connector B</b>	CEE (7) VIIG Male - Straight
<b>Sheath Colour</b>	Black
<b>Material</b>	PVC
<b>Applications</b>	DIY and home improvements, Maintenance work, Household Entertainment (TVs, Satellite boxes, routers etc.) Industrial machines and equipment Office desks (monitors, computers, phones) Any Electrical device needed to be connected by mains, Cassette recorders, Battery/mains operated radios, battery chargers, laptop computers, power supplies and video games consoles.

## Mechanical Specifications

<b>Length</b>	2.00m
---------------	-------

## Electrical Specifications

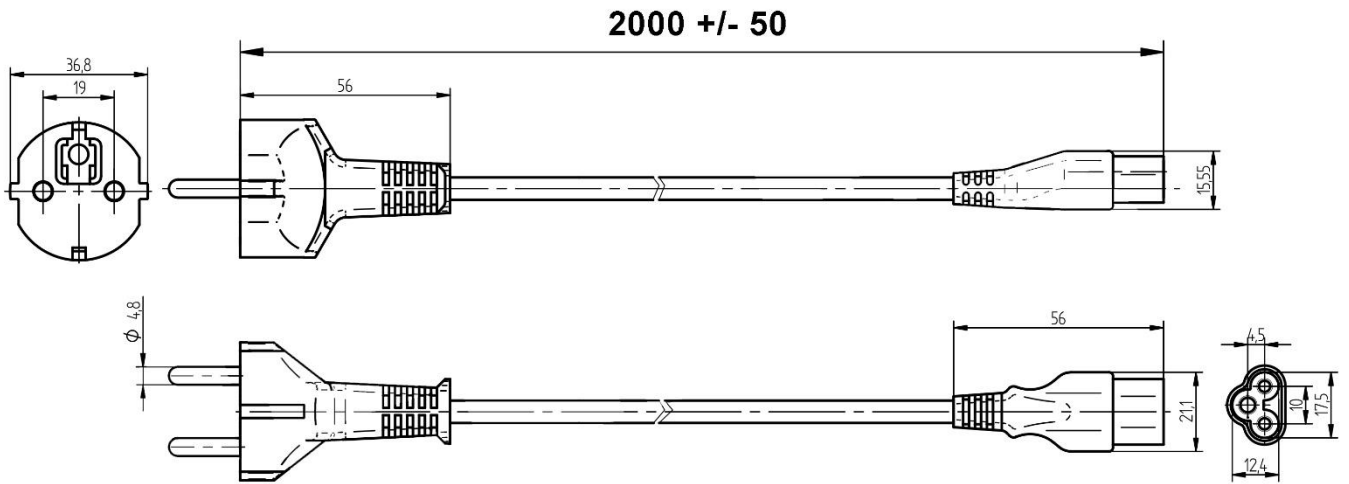
Power Cord Rating	2.5 A - 250V
Visual Inspection	100%
Electrical Test	100%
High pot test wire to wire	3.000Vac for 2 sec.
Continuity test	25Aac to grounding / 20A to line and neutral
Polarity test	yes
Skin high pot test	6.000Vac line to skin

## Protection Category

Environmental Conformity	Eu-Directive 2002/96/EC (WEEE)
	Eu-Directive 2003/11/EC (Council Directive 76/769/EEC)
	Eu-Directive 2002/95/EC (RoHS-Compliant)

## Approvals

C5 CONNECTOR	ENEC, CE
VIIG CEE (7)	VDE, OVE, CEBEC, KEMA, S, D, N, FI, LCIE, IMQ, K
Cable	Harmonised <HAR>



Connection Diagrams / Assembly Diagrams / Illustrations / Accessories

All dimensions in mm