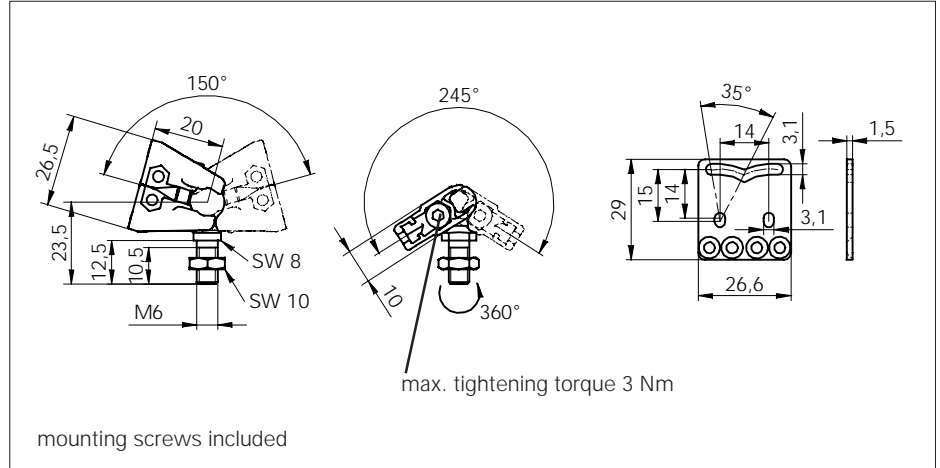


# SENSOFIX series 10

## Art.-Code: 150326

- large freedom of movement makes it simple to adjust the sensor
- assemble on plates, profiles, sheet metals with only one screw
- mounting at a rod  $\varnothing 8$  mm is possible
- different mounting versions
- Higher operational safety of the sensors benefits through the exact adjustment



Technical data
Material: jaw
Material: screw with ball-shaped head
Material: steel sheet
Material: screw, nut

	stainless steel
	steel galvanized
	stainless steel
	steel galvanized

