

# Incline SR 316 Stainless Steel



## INDEX

[Product Leaflet](#)  
[Technical Drawings](#)

## WEB LINKS

[Incline SR – 316 Stainless Steel Information Page](#)  
[Ask a question / Send us an enquiry](#)  
[Information about B&R](#)  
[Local Sales Team Phone Numbers](#)

## Incline SR – 316 Stainless Steel



### Features

- 30° sloping roof designed to prevent solids from building up on the surface
- Easy installation with top and bottom mounting flanges
- Fully welded construction
- Flexible equipment mounting options including door rails and steel mounting pan
- Specially designed gutter and extended roof
- Foamed in place polyurethane gasket

#### Approvals

- CE marked
- Lloyds



#### OVERVIEW

The Incline SR is a 316 grade stainless steel sloping roof enclosure that is designed for rugged industrial applications. Easy to mount with a integrated top and bottom mounting flange built into both the top and bottom of the enclosure body. The sloping roof is designed to prevent solids from building up on the enclosure.

#### MATERIALS

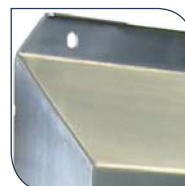
- Body – 316 stainless steel
- Body thickness – 1.5mm
- Gasket – Neoprene
- Surface finish – N4, ripple X-15 orange available on request

#### APPLICATION

Typical applications range from mine sites and sugar mills, with applications including local control stations, mini control consoles or motor isolation control stations.

#### INCLUSIONS

- Steel mounting pan powdercoated white
- Stainless steel gland plate
- Mounting flanges
- 7mm square turnbuckle lock (NI020/PS)
- Door rails
- Earth strap kit



# Incline SR – 316 Stainless Steel

## SELECTION GUIDE

Catalogue No.	Dimensions (mm)					Mounting Pan (mm)		Door Rails		No of locks	Weight (kg)
	Height	Width	Depth*	Usable Depth**	Total height***	Height	Width	Vertical	Horizontal		
SR03021/S	300	200	175	130	510	250	150			1	5.4
SR04031/S	400	300	175	130	610	250	250			1	9.0
SR03042/S	300	400	225	180	535	350	250			1	10.4
SR04042/S	400	400	225	180	635	250	350	•		1	12.7
SR06042/S	600	400	225	180	835	350	250	•		2	17.4
SR04062/S	400	600	225	180	635	250	350	•		1	17.7
SR08062/S	800	600	225	180	1035	350	350	•		2	30.6
SR10062/S	1000	600	225	180	1235	450	350	•		2	37.0
SR04063/S	400	600	325	280	695	550	350	•		1	21.3
SR06063/S	600	600	325	280	895	450	450	•		2	28.3
SR08063/S	800	600	325	280	1195	550	550	•	•	2	35.2

\* Includes overhang

\*\* Mounting pan to inside door

\*\*\* Includes from bottom to top mounting flanges

## ACCESSORIES

Product	Description	Catalogue No.
Mounting pan – insulated	250 x 150mm	SRIMP032
	250 x 350mm	SRIMP034
	350 x 350mm	SRIMP044
	350 x 550mm	SRIMP046
	550 x 350mm	SRIMP064
	550 x 550mm	SRIMP066
	750 x 550mm	SRIMP086
	950 x 550mm	SRIMP106
Gland plate – brass	3mm thick	SRBGP3/1
	3mm thick	SRBGP3/2
	3mm thick	SRBGP3/3
	6mm thick	SRBGP6/1
	6mm thick	SRBGP6/2
	6mm thick	SRBGP6/3
Gland plate – 316 stainless steel	1.5mm thick	SRS GP/1
	1.5mm thick	SRS GP/2
	1.5mm thick	SRS GP/3
Gland Plate – aluminium	6mm thick	SRAGP6/1
	6mm thick	SRAGP6/2
	6mm thick	SRAGP6/3
Vent kit – external	130 x 130mm	IPVK/S



Insulated mounting pan



IPVK/S – External vent kit stainless steel

### National Sales

P 1300 Enclosures (1300 362 567)

F 1300 796 599

E sales@brencllosures.com.au

brencllosures.com.au

### Queensland

North Queensland

New South Wales

Newcastle

P +61 7 3714 1111

P +61 7 4727 1900

P +61 2 9915 9555

P +61 2 4961 4433

### Victoria

South Australia

Northern Territory

Western Australia

P +61 3 9552 0552

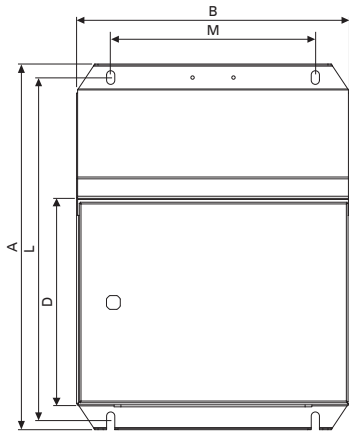
P +61 8 8417 6222

P +61 8 8947 0870

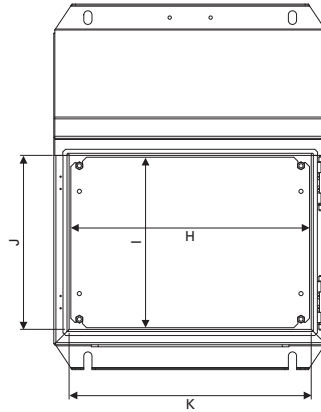
P +61 8 6310 4777



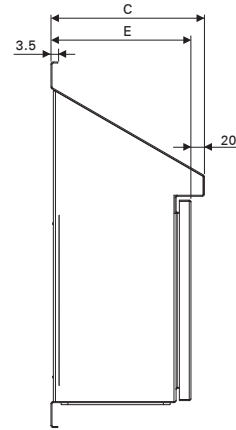
# Technical Drawings



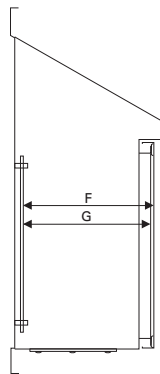
Front View



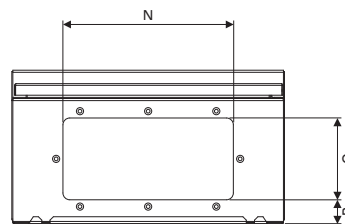
Front View Door Removed (showing internals)



Side View



Side View with Internals



Bottom View

Catalogue No.	Dimensions (mm)																No of Locks
	External				Internal		Mounting Pan		Opening Size		Fixing Centres		Gland Plate				
	A	B	C	D	E	F	G	H	I	J	K	L	M	N	O	P	
SR03021/S	507	200	175	300	155	130	124	250	150	255	155	476	100	175	70	30	1
SR04031/S	607	300	175	400	155	130	124	350	250	355	255	576	200	175	70	30	1
SR03042/S	535	400	225	300	205	180	174	250	350	255	355	505	300	250	120	30	1
SR04042/S	636	400	225	400	205	180	174	350	350	355	355	605	300	250	120	30	1
SR06042/S	836	400	225	600	205	180	174	550	350	555	355	805	300	250	120	30	1
SR04062/S	636	600	225	400	205	180	174	350	550	355	555	605	500	440	120	30	1
SR08062/S	1036	600	225	800	205	180	174	750	550	755	555	1005	500	440	120	30	2
SR10062/S	1236	600	225	1000	205	180	174	950	550	955	555	1205	500	440	120	30	2
SR04063/S	693	600	325	400	305	280	274	350	550	355	555	663	500	440	120	45	1
SR06063/S	893	600	325	600	305	280	274	550	550	555	555	863	500	440	120	45	1
SR08063/S	1093	600	325	800	305	280	274	750	550	755	555	1063	500	440	120	45	2