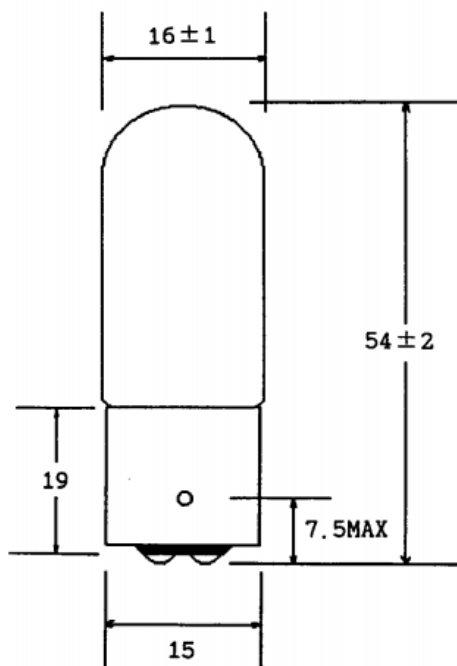


Datasheet

BA15d Filament Indicator Lamp, Clear, 220/260V, 38mA, 3000h

RS Stock number [360-7480](#)

Drawing (mm):



Specifications:

Bulb Diameter:	16 ± 1mm
Length:	54 ± 2mm
Base Type:	BA15d/19
Voltage:	220/260V
Wattage:	6/10W
Filament Type:	CC-7A
	Vacuum Type
MSCP:	2.8 CP ± 20%
Life Hours:	3000Hrs