

A

B

C

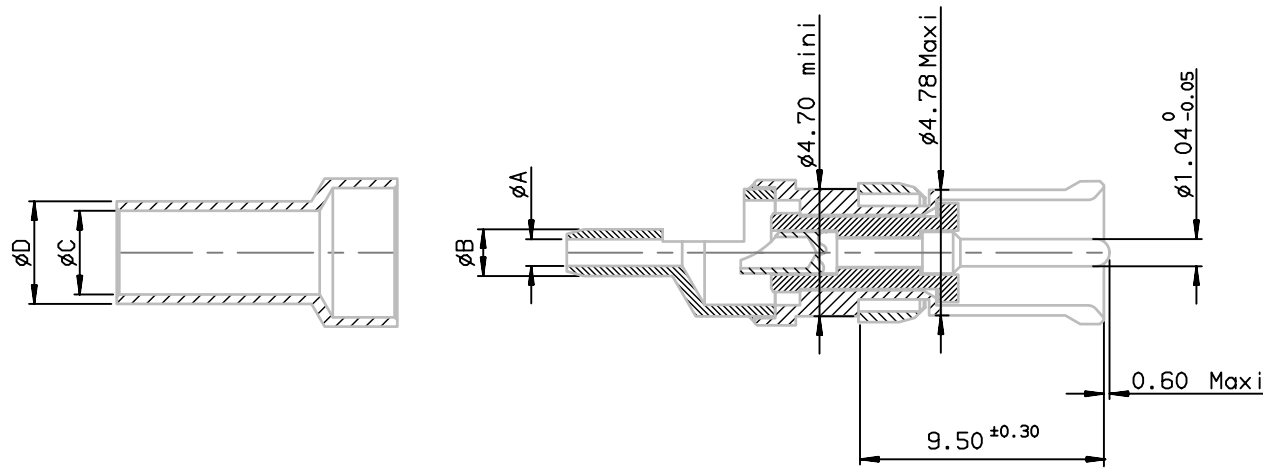
D

A

B

C

D



ELECTRICAL CHARACTERISTICS

- Impedance: 500HMS
- Working frequency: 1GHz max
- Dielectric with standing voltage: 600V
- Insulation resistance 5000: 14 OHMS
- Contact resistance ≤ 5 m OHMS
- Insertion Lost: ≤ 0.2 dB

MECHANICAL CHARACTERISTICS

- Mating force per set of contact 0.4 N to 9 N
- Mating endurance 500
- Temperature -55° to +125 °C

TOOLING

- Coaxial contact extraction tool 8630-07A

DM 53742 NCLF	Ct coax femelle sortie droite	1.00	1.75	2.32	3.20	RG 178 BU
DM 53742-3 NCLF	Ct coax femelle sortie droite	2.75	4.00	4.40	5.45	RG 180 BU
DM 53742-1 NCLF	Ct coax femelle sortie droite	1.70	2.46	3.13	3.84	RG 179 BU
Ref contact	Designation	$\phi A^{+0.10}_0$	$\phi B^{\pm 0.05}$	$\phi C^{+0.10}_0$	$\phi D^{\pm 0.10}$	Ref cable

Part number	DM537421NCLF
-------------	--------------

European Views

www.fciconnect.com		surface ISO 1302 <input checked="" type="checkbox"/>	tolerance std ISO 406 ISO 1101	projection 	mm
TOLERANCES UNLESS OTHERWISE SPECIFIED					
Dr	PESSON	2005/10/12	ANGULAR	LINEAR	mm
Eng	PESSON	2005/10/12	0.X	± 0.1	size A3
Chr	LEGARE	2005/10/12	0.XX	± 0.1	Scale 5
Appr	LEGARE	2005/10/12	0.XXX	± 0.1	ECN LS07-0001
Product family				D-SUB	Spec ref -
FCI		FEMALE COAX CONTACT STRAIGHT		dwg no	C01-8639-2146
		CRIMP TO CABLE		Rev.	C
catalog no				CUSTOMER	sheet 1 of 1

NOTE: RoHS INFORMATIONS

- The "LF" product meets European union Directives and other country regulations as described in GS-22-008.
- The product is not intended to be exposed to a manufacturing solder process.
- Packaging spec: see GS-14-920.

rev	ecn no	dr	date
A	LS05-0086	MPE	2005/10/12
B	LS05-0107	MPE	2005/12/20
C	LS07-0001	MPE	2007/01/09
-	-	-	-
-	-	-	-
-	-	-	-



Copyright FCI.