

DATA

Independent 130

Maximum independence with the multifunctional ERSA gas soldering sets



Off the line gas soldering power, infinitely variable up to 130 W. Comfortable piezo ignition. Operation with lighter gas.

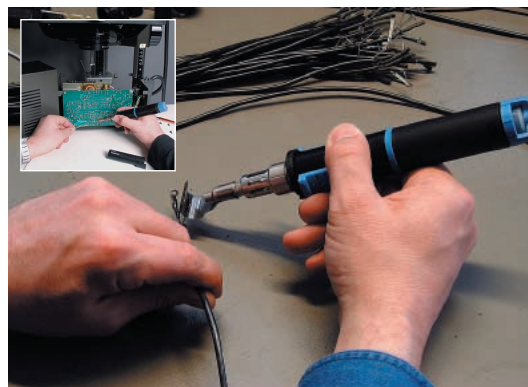
The „larger edition“ of ERSA gas soldering irons, the Independent 130, is most suitable in situations where sophisticated soldering solutions are required off the line. Due to a large power spectrum which is infinitely variable from 25 - 130 watts (compared with electrical soldering irons) and a large selection of soldering tips, the Independent 130 offers many applications in the servicing, installation, repair and maintenance field.

The integrated piezo ignition together with the fact that the iron operates on commercially available butane gas ensures easy handling and high reliability. One filling is sufficient for an operating time of approx. 120 min, the max. soldering tip temperature is approx. 580°C.

The Independent 130 „Basic Set“ consists of a gas soldering iron with pre-installed catalytic

soldering tip, a spare tip and a sponge container with cleaning sponge.

The Independent 130 „Profi Set“ includes, in addition to the „Basic Set“, another 2 soldering tips, a hot blade to shape and cut high-resistance foam, a hot gas nozzle and a deflector to shrink different sizes of heat-shrinkable sleeves and to solder SMD components as well as a flame nozzle to micro weld.



ERSA-product range

Soldering tools

- NEW DIMENSION
- PROFI-LINE
- IR-Rework
- CLEAN-AIR

Soldering systems

- Wave soldering
 - ETS-line
 - EWS-line
 - N-Wave-line
 - Solution

Reflow soldering

- Hotflow 3
- Hotflow 5
- Hotflow 7
- Hotflow 9
- Hotflow 11
- ERS 250

Selective soldering

- EAS-line
- Multiflow
- Versaflow
- Versaflow Compact
- Versaflow High Speed
- Place & Solder

Inspection systems

- ERSASCOPE
- ImageDoc Software

Other services

- Know-how seminars
- In-House trainings
- Test soldering
- Installation and maintenance assistance
- Process support

DATA

Independent 130

Maximum independence with the multifunctional ERSA gas soldering sets



original size

Technical data:

Rating: 25 - 130 W
 Heating time: 183°C in approx. 30 sec.
 Sold. tip temp.: approx. 580°C max.
 Weight: 121 g
 Ignition: piezo ignition, operates on butane gas

Order nos.:

415-3669 **OG13400141 Gas soldering set Independent 130 „Profi Set“**



consisting of:

OG130KN Gas soldering iron Independent 130 with chisel-shaped soldering tip OG132KN, 2.4 mm
 415-4050 OG132CN Chisel-shaped sold. tip, 1.0 mm
 415-3574 OG132AN Chisel-shaped sold. tip, 3.2 mm
 415-3940 OG132VN Chisel-shaped sold. tip, 4.8 mm
 415-4000 OG132BE Flame nozzle
 415-4038 OG132HE Hot gas nozzle
 415-3596 OG132MN Hot blade
 415-3697 OG132RE Deflector to shrink heat-shrinkable sleeves
 0006 Cleaning sponge
 OG156 Sponge container

Order nos.:

415-4044 **OG13400041 Gas soldering set Independent 130 „Basic Set“**

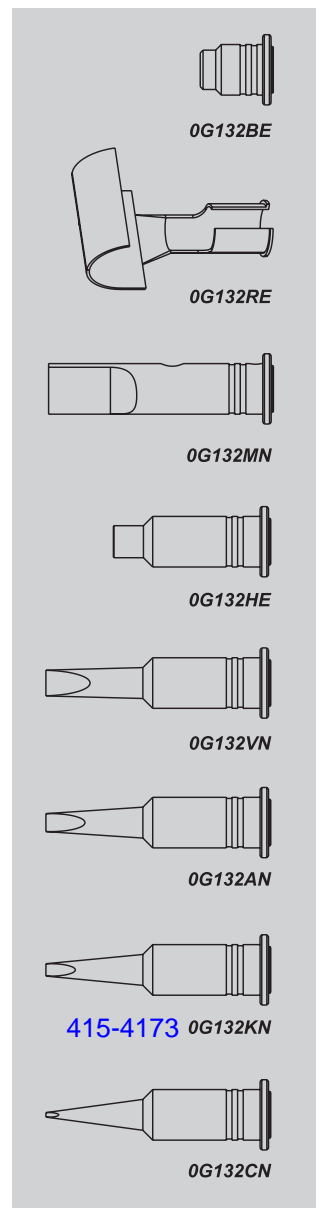


consisting of:

OG130KN Gas soldering iron Independent 130 with chisel-shaped soldering tip OG132KN, 2.4 mm
 OG132CN Chisel-shaped soldering tip, 1.0 mm
 0006 Cleaning sponge
 OG156 Sponge container

Accessories:

OG 806 K Gas cartridge, 65 ml



ERSA GmbH
 Otto-Schott-Straße 3-7
 P.O.Box 1261
 97862 Wertheim/Germany
 Tel: +49(0)9342/800-0
 Fax: +49(0)9342/800-250
 e-mail: info@ersa.de
 http://www.ersa.de

A Kurtz Company