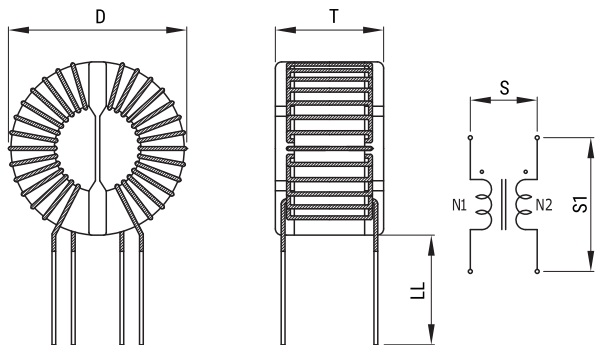


KEMET Part Number: SCF20-05-1100
(UALSCF20051100)

KEMET, SCF, AC Line Filters, Common Mode, 0.011 H



Dimensions

D	25mm MAX
T	15.5mm MAX
LL	20mm +/-2.5mm
S	14mm NOM

Packaging Specifications

Packaging:	Tray
Packaging Quantity:	400
Weight:	13.5 g

General Information

Series:	SCF
Style:	Through-Hole
RoHS:	Yes
Notes:	Lead Spacing (S/S1) Are For Reference Only.
Miscellaneous:	Temperature Rise Maximum: 70 K

Specifications

Voltage AC:	250 VAC
Inductance:	11 mH
Current:	5 A
Temperature Range:	-25/+120°C
DC Resistance:	39 mOhms