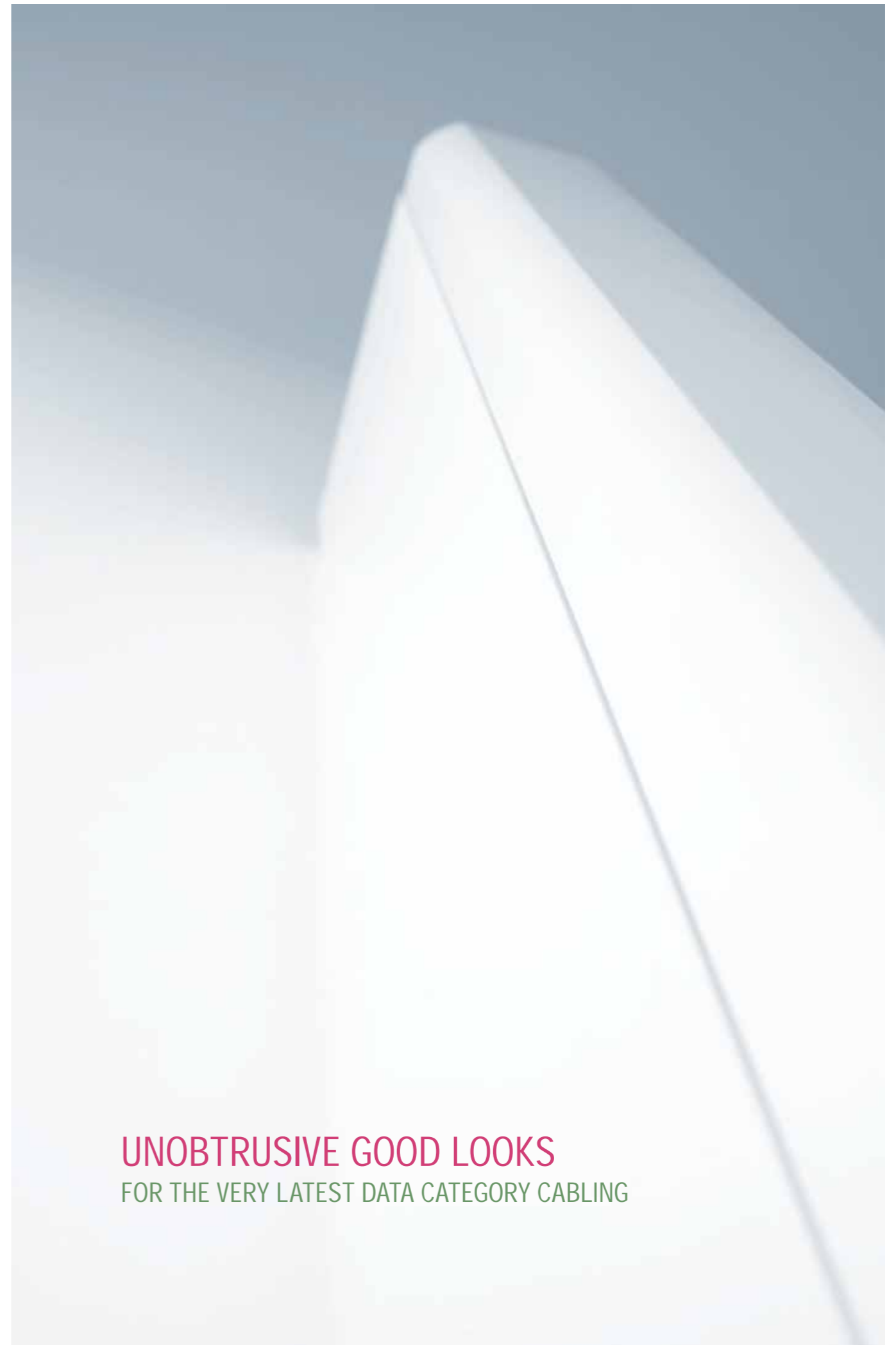




**COMPACT DATA**  
FAST AND SIMPLE DATA CABLE TRUNKING



**UNOBTRUSIVE GOOD LOOKS**  
FOR THE VERY LATEST DATA CATEGORY CABLING

# COMPACT DATA

# COMPACT DATA WITH TRULY FLEXIBLE CORNERS



The development of COMPACT data has been in accordance with the requirements of BS EN 50085/6701/50174 and the data trunking system fully meets the needs of Category 5e, 6, 6A and Cat 7 cables.

REHAU are proud to introduce COMPACT data, a stylish, well designed system for the fast and simple installation of the very latest data category cabling.

Further to the success of sister product PROFILA data especially in schools, colleges and hospitals COMPACT data is the result of a significant investment by REHAU to meet the developing UK cable management market requirements, particularly with regard to the Health and Education sectors.

COMPACT data measures just 140 x 50mm complimenting REHAU's larger sister PROFILA data at 180 x 65mm. With similar aesthetics the REHAU data family can be connected together by means of an adapter. This enables trunking of different sizes to be installed in a building while maintaining a consistent appearance.

COMPACT data's symmetrical design maximises cabling space giving up to 30% more cabling capacity than other similar sized systems. This gives the specifier / installer the ability to run a larger number of data cables through tight spaces such as between desks and window sills.

COMPACT data further enhances the high quality cable Management systems that REHAU offers for new build, refurbishment or retrofit and illustrates our continued strong commitment to the electrical market.



New 'Living hinges' can help provide the Installer with a unique competitive edge, enabling faster data cabling and trunking installation.

### A Competitive Edge

Following on from the success of REHAU's innovative variable angle corner covers in 2003 COMPACT data now also incorporates 'Living hinges' in both internal and external corners.

These enable truly variable angle corners which allow for walls that are not 90° true. The inner flexibility of the corner guides enables both internal and external corners to flex plus or minus 5°. Together with REHAU's flexible corner covers, installers can speed round difficult corners while providing a smart professional finish.

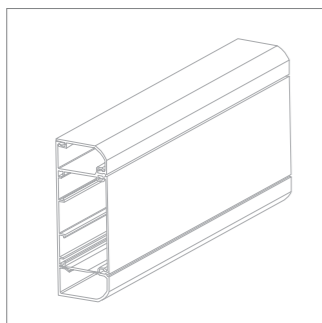
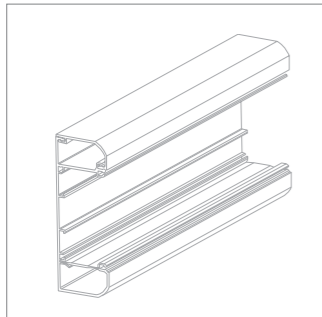
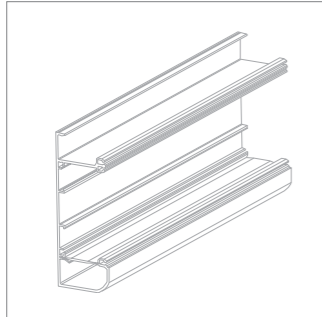
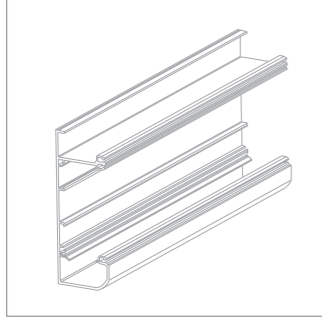
In addition the 'patented' moulded radius control ensures cables are smoothly guided around corners preventing impaired cabling performance.

New 'Living hinges' can help provide the Installer with a unique competitive edge enabling faster data cabling and trunking installation.

Ribbed insides of corner covers provide gentle cabling support around corners without the need to install additional cable guides.

# COMPACT DATA

## FAST SIMPLE INSTALLATION



### Clean Aesthetics

With similar aesthetics to bigger sister PROFILA data, COMPACT data's clean unobtrusive design helps the trunking disappear into a building.

### Fast, easy access

Open design provides full cable support during cable loading for both top and bottom compartments with easy open access and no lids or other components in the way.

### Separator options

There are several options for the bottom Compartment divider. A Steel separator can be inserted either during or after installation to comply with the segregation requirements of BS EN 50174-2. Alternatively a UPVC divider is available or for certain installations no separator is required at all.

### Cabling capacity

With 30% more cabling capacity than similarly sized data trunking systems COMPACT data gives greater flexibility to the specifier / installer when catering for a projects different cabling requirements room by room.

### Perfect Alignment

When joining two lengths or corners together perfect alignment is easily and quickly achieved by using the dowel pins supplied.

### One-piece clip-on accessories

One piece joint covers, corner covers and end caps simply clip into place and are less time consuming to fit than systems that have two or more separate parts.

### Security Rivets

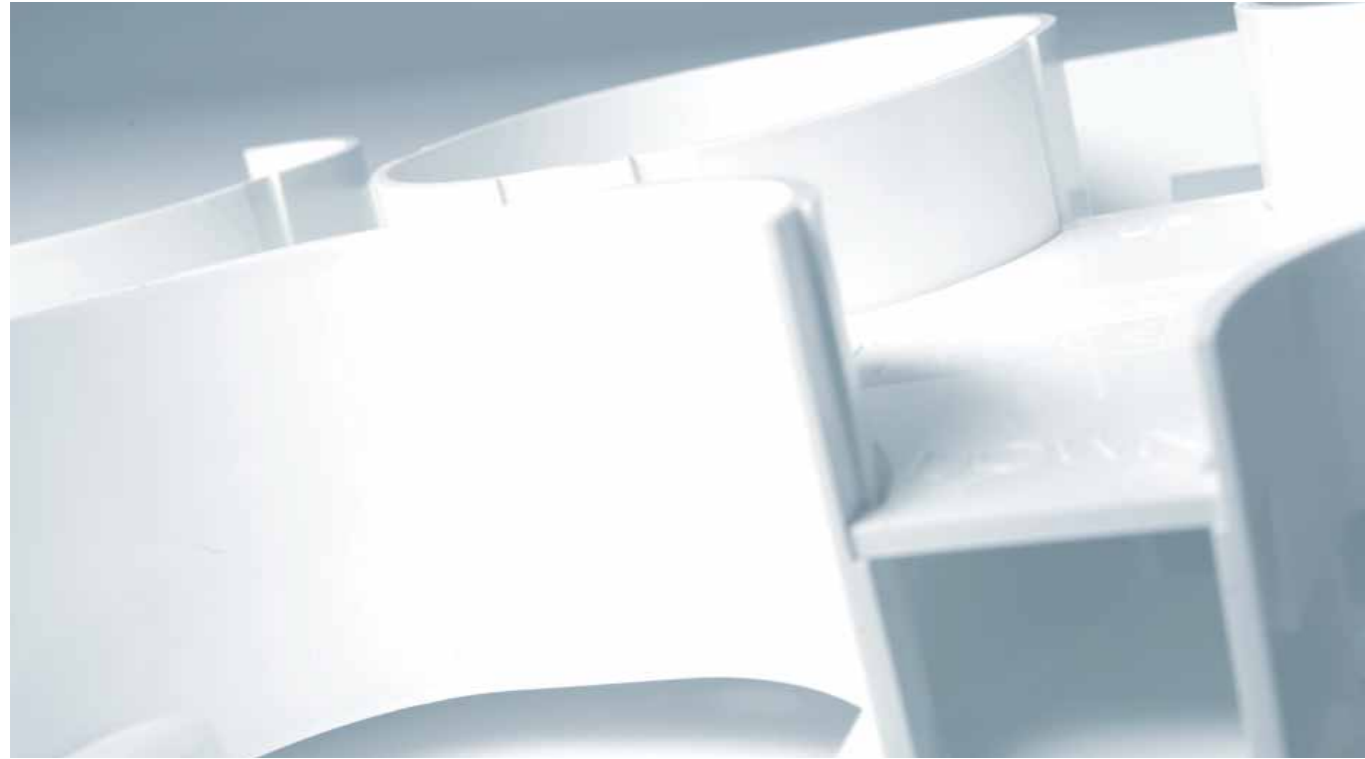
Where necessary for environments as schools and other public buildings security rivets are available to discourage tampering.



**SIMPLE BUT EFFECTIVE**  
FASTER AND EASIER INSTALLATION

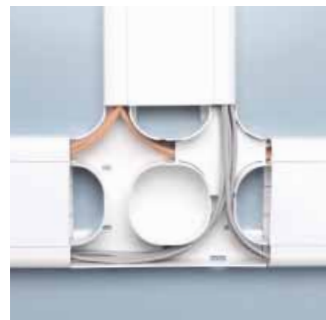
# MOULDED

## FLAT ANGLES AND TEE PIECES



COMPACT data comes with new moulded Flat angle and Tee pieces, complete with simple but effective inner guides to steer and separate data and power cables from one another minimising cabling interference and complying with relevant standards.

The moulded Flat angles and Tee pieces are robust and professionally finished to provide an excellent appearance to a project.



Again COMPACT data's symmetrical design makes life easier for the installer with only one flat angle or tee piece to purchase and install rather than different options for up and down.

From the base profile and lids through to the usually complicated flat angles and tee pieces COMPACT data has been designed with simplicity throughout to ensure faster and easier installation.

# FAST SIMPLE INSTALLATION

## PRE-PUNCHED KNOCKOUTS



### New pre-punched knockouts

Pre-punched knockouts on the top shelf give installers quick access to power and data sockets. Just put pressure on the knockout and push out without the need for time consuming tools to drill holes to put cables through.

### Pre-punched base

For speedy installation, the base profile is supplied pre-punched.



### High quality professional finish

All moulded fittings, such as joint covers, corners and end caps overlap the cover profile when in place to cover any cutting inaccuracies.

### Product Identification

For ease of product identification all moulded components are marked with full product details.

# COMPACT DATA

## PRODUCT ORDERING SCHEDULE

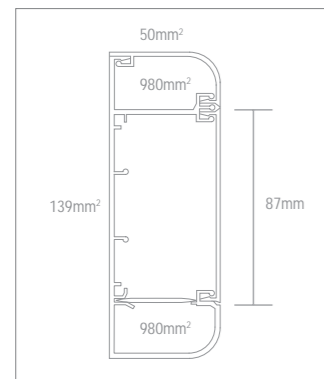
### Industry standards

- COMPACT data design was based on the requirements of the following standards relevant to telecommunications, data cable and their installation: BS EN 50173/4, BS 6701, BS 7671 (IEE Regulations), BS EN 50085
- REHAU's PVC 1309 is lead and cadmium free and conforms to UL 94 V-0

### Registered design / Patents pending

- COMPACT data profiles and mouldings are protected by EU Registered. Designs and patents are pending

| Article                            | Description                                |
|------------------------------------|--|
| <b>Main Profile</b>                |  |
| RS 812-3243                        | Base                                       |
| RS 812-3252                        | Top Lid                                    |
| RS 812-3255 (RS 812-3259 Grey DDA) | Main Lid                                   |
| <b>Accessories</b>                 |  |
| RS 812-3261                        | External Corner Set                        |
| RS 812-3265                        | Internal Corner Set                        |
| RS 812-3280                        | Tee Piece (up & down)                      |
| RS 812-3261                        | Flat Angle (up & down)                     |
| RS 812-3274                        | Joint Cover                                |
| RS 812-3277                        | Endcap                                     |
| 288575                             | Adapter Set (base & cover) to Profila Data |
| 289315                             | RCD Assembly                               |
| 766034                             | Lid Spacer                                 |
| RS 812-3296                        | Single Socket 25mm                         |
| 241671                             | Single Socket 35mm                         |
| RS 812-3299                        | Double Socket 25mm                         |
| 241681                             | Double Socket 35mm                         |
| 726854                             | Earthing Clip for Steel Separator          |
| 727471                             | Earthing Lead                              |
| 725568                             | Earthing Clip for Earthing Lead            |
| 265921                             | Dowel / Coupling Clips                     |
| 289585                             | Security Rivets                            |
| RS 812-3268                        | PVC Divider                                |
| 289325                             | Steel Divider                              |



| Full cable compartment CSA | DATA                                       |                 |            |  | POWER                                       |              |            |
|----------------------------|--|-----------------|------------|--|---|--------------|------------|
|                            | Typically MULTI-CORE                       |                 |            |  | Typically SINGLE-CORE (PVC insulated)       |              |            |
|                            | Wiring Regulations BS7671 45% CSA (441mm²) |                 |            | IT Cable installation BSEN 50174-1/BS6701 Twice that necessary | Wiring Regulations BS 7671 45% CSA (441mm²) |              |            |
|                            | Cable Diameter (mm)                        | Cable CSA (mm²) | No. cables | No. cables   | Conductor CSA (mm²)                         | Cable factor | No. cables |
| 980mm²                     | 5  | 19.6            | 22         | 14   | 1.5   | 8.6          | 50         |
|                            | 5.5  | 23.8            | 18         | 13   | 2.5   | 12.6         | 35         |
|                            | 6  | 28.3            | 15         | 12   | 4   | 16.6         | 26         |
|                            | 6.5  | 33.2            | 13         | 11   | 6   | 21.2         | 20         |
|                            | 7  | 38.5            | 11         | 10   |   |              |            |

Cable Capacity Table

Information correct at the time of printing  
CSA: Cross Section Area