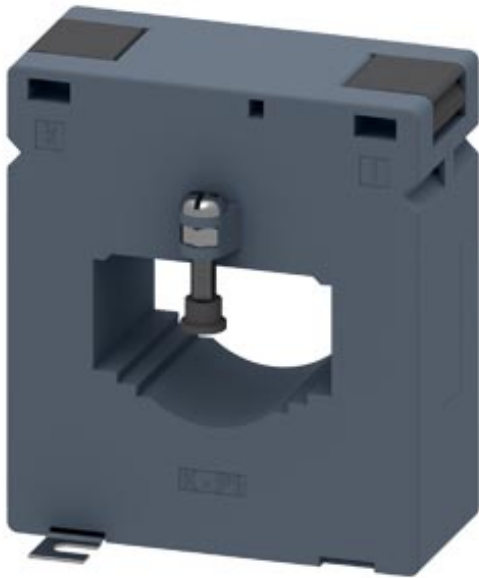


current transformer 1000/1 A 10 VA CL 1.0



Model	
Product brand name	SETRON
Product designation	Current transformer
Design of the product	Bushing-type current transformers
Operating apparent output / rated value	10 V·A
Protection class	
Protection class IP	IP20
<ul style="list-style-type: none"> • Ratio of input current/output current • Current / at output / rated value • Current / at input / rated value 	1000/1 1 A 1 000 A
Accuracy class / of the current transformer	class 1
Product feature / Touch protection	Yes
Connections	
Type of electrical connection / at output	screw-type terminals
Mechanical Design	
Height	127.5 mm
Height of the opening	36 mm
Width	112 mm

Width	
<ul style="list-style-type: none"> • of the push-through bus bar / at 1 bus bar / maximum 	64 mm
<ul style="list-style-type: none"> • of the push-through bus bar / in case of 2 bus bars / maximum 	51 mm
<ul style="list-style-type: none"> • of the push-through bus bar / in case of 3 bus bars / maximum 	64 mm
Depth	77 mm
Mounting type	screw fixing
Outer diameter / of the push-through conductor / maximum	41 mm
Net weight	1 012 g

Environmental conditions

Ambient temperature	
<ul style="list-style-type: none"> • during operation / minimum 	-30 °C
<ul style="list-style-type: none"> • during operation / maximum 	55 °C

Certificates

Reference code / acc. to DIN EN 61346-2	T
---	---

Declaration of Conformity



Further information

Information- and Downloadcenter (Catalogs, Brochures,...)

<http://www.siemens.com/lowvoltage/catalogs>

Industry Mall (Online ordering system)

<https://mall.industry.siemens.com/mall/en/en/Catalog/product?mlfb=4NC5432-0CH21>

Service&Support (Manuals, Certificates, Characteristics, FAQs,...)

<https://support.industry.siemens.com/cs/ww/en/ps/4NC5432-0CH21>

Image database (product images, 2D dimension drawings, 3D models, device circuit diagrams, ...)

http://www.automation.siemens.com/bilddb/cax_en.aspx?mlfb=4NC5432-0CH21

CAX-Online-Generator

<http://www.siemens.com/cax>

Tender specifications

<http://www.siemens.com/specifications>

