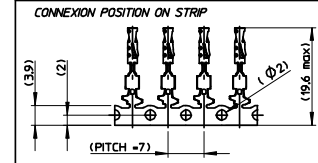
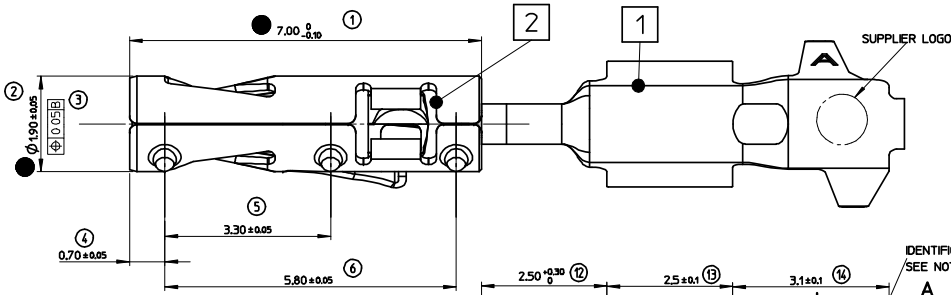
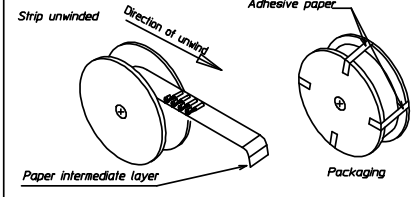
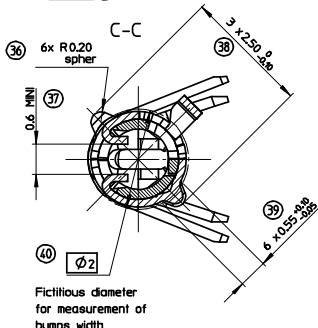
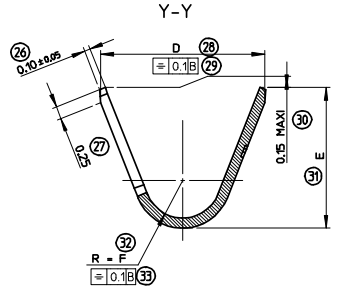
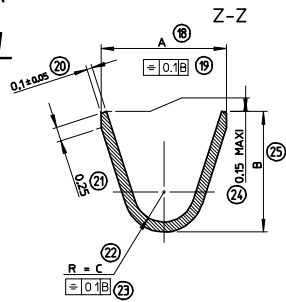


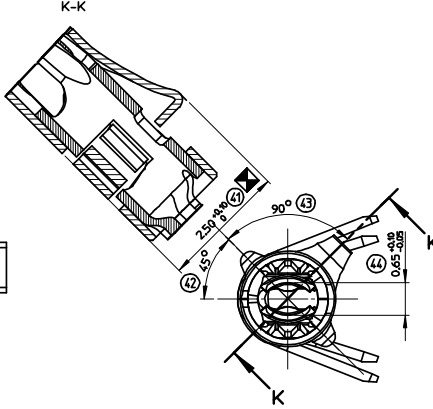
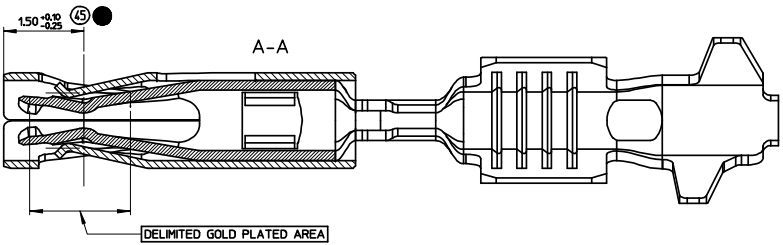
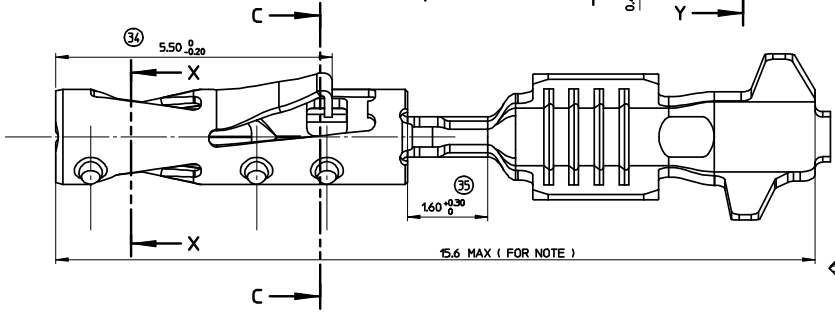
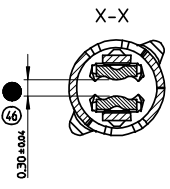
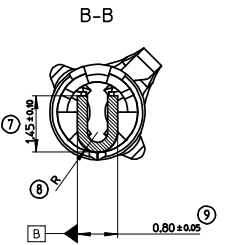
PACKAGING SPECIFICATION : PK-98913-001



IDENTIFICATION MARKING SEE NOTE 1



Fictitious diameter for measurement of bumps width



NOTE :
 - MARKING "A" is used to identify "STANDARD" terminal
 - CRIMPING SPECIFICATION ACCORDING TO CS-64322-001

2	BOX TERMINAL	STAINLESS STEEL thickness=0.15 mm
1	BODY TERMINAL	high conductivity copper alloy thickness=0.2 mm
MARK	DESIGNATION	MATERIAL

0643221029	Sn	Sn		0.75	2.5	2.4	0.6	3.3	2.8	0.75	0.119
0643221219	Au 1.27µ MINI	Sn	Ni								
0643221039	Sn	Sn		0.50	2.3	2.2	0.6	3.1	2.6	0.75	0.117
0643221239	Au 1.27µ MINI	Sn	Ni								
0643221019	Sn	Sn		0.22 TO 0.44	2.0	1.7	0.6	3.1	2.6	0.75	0.112
0643221229	Au 1.27µ MINI	Sn	Ni								
PART NUMBER	CONTACT AREA	CRIMPING AREA	UNDERLAYER	CRIMPING RANGE (mm2)	A±0.2	B±0.2	rC ±0.15 -0.1	D±0.2	E±0.2	rF±0.1	WEIGHT (g)

(SKC)	COTES CARACTERISTIQUES SPECIALES
INDICATION DIMENSIONS S.P.C	DENOTES S.P.C DIMENSIONS
INDICATION DIMENSIONS CRITIQUES	DENOTES CRITICAL DIMENSIONS
INDICATION DIMENSIONS FONCTIONNELLES	DENOTES FUNCTIONAL DIMENSIONS
QUANTITE PAR FEUILLE INDIVIDUELLE	QUANTITY PER INDIVIDUAL SHEET
1	0

Revised Dwg EC NO: GZ008-0440 DRAWN BY: JULIO CHKD BY: PARLARI APPR BY: LECHEIR 2008/05/19 2008/05/19 2008/05/19	GENERAL TOLERANCES (UNLESS SPECIFIED) mm INCH 4 PLACES ± --- ± --- 3 PLACES ± --- ± --- 2 PLACES ± 0.10 ± --- 1 PLACE ± 0.1 ± --- ANGULAR ± 2°	DIMENSION STYLE MM ONLY	SCALE 20:1	DESIGN UNITS METRIC	FIRST ANGLE PROJECTION
	DRAWN BY: PARLARI DATE: 2007/09/17 CHECKED BY: IDUCLOS DATE: 2007/09/17 APPROVED BY: LSTICKEIR DATE: 2007/09/17	MATERIAL NO. SEE CHART	TITLE CP RCPT TRM 0.6	MOLEX INCORPORATED	SHEET NO. 1 OF 1
	DRAFT WHERE APPLICABLE MUST REMAIN WITHIN DIMENSIONS	THIS DRAWING CONTAINS INFORMATION THAT IS PROPRIETARY TO MOLEX INCORPORATED AND SHOULD NOT BE USED WITHOUT WRITTEN PERMISSION	DOCUMENT NO. SD-64322-001	MOLEX INCORPORATED	SHEET NO. 1 OF 1