

6-173977-6 ✓ ACTIVE

AMP CT

TE Internal #: 6-173977-6

6 Position, Receptacle, Connector Assembly, Insulation

Displacement (IDC), Wire-to-Board, 2 mm [.079 in] Centerline, 1

Row, Wire & Cable, AMP CT

[View on TE.com >](#)



Connectors > Rectangular Connectors > Standard Rectangular Connectors > AMP COMMON TERMINATION HOUSINGS



Connector Product Type: **Connector Assembly**

Connector & Housing Type: **Receptacle**

Connector System: **Wire-to-Board**

Number of Positions: **6**

Centerline (Pitch): **2 mm [.079 in]**

[All AMP COMMON TERMINATION HOUSINGS \(150\)](#)

Features

Product Type Features

Connector Product Type	Connector Assembly
Connector & Housing Type	Receptacle
Connector System	Wire-to-Board
Sealable	No
Connector & Contact Terminates To	Wire & Cable

Configuration Features

Number of Positions	6
Number of Rows	1

Body Features

Primary Product Color	Black
-----------------------	-------

Contact Features

Contact Current Rating (Max)	2 A
------------------------------	-----

Termination Features

Termination Method to Wire & Cable	Insulation Displacement (IDC)
------------------------------------	-------------------------------

Mechanical Attachment

Mating Retention	Without
Connector Mounting Type	Cable Mount (Free-Hanging)

Housing Features

Centerline (Pitch)	2 mm [.079 in]
Housing Material	PBT GF

Usage Conditions

Operating Temperature Range	-30 – 105 °C [-22 – 221 °F]
-----------------------------	-----------------------------

Operation/Application

Circuit Application	Power & Signal
---------------------	----------------

Product Compliance

[For compliance documentation, visit the product page on TE.com>](#)

EU RoHS Directive 2011/65/EU	Compliant
EU ELV Directive 2000/53/EC	Compliant
China RoHS 2 Directive MIIT Order No 32, 2016	有害物质含量符合标准要求 No Restricted Substance(s) Above Threshold
EU REACH Regulation (EC) No. 1907/2006	Current ECHA Candidate List: JUNE 2025 (250) Candidate List Declared Against: JUNE 2025 (250) Does not contain REACH SVHC
Halogen Content	Not Low Halogen - contains Br or Cl > 900 ppm.
Solder Process Capability	Not applicable for solder process capability

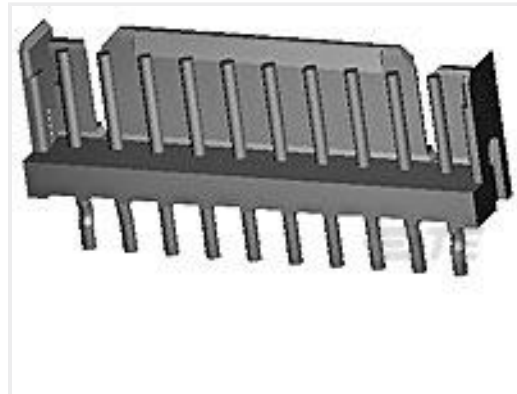
Product Compliance Disclaimer

This information is provided based on reasonable inquiry of our suppliers and represents our current actual knowledge based on the information they provided. This information is subject to change. The part numbers that TE has identified as EU RoHS compliant have a maximum concentration of 0.1% by weight in homogenous materials for lead, hexavalent chromium, mercury, PBB, PBDE, DBP, BBP, DEHP, DIBP, and 0.01% for cadmium, or qualify for an exemption to these limits as defined in the Annexes of Directive 2011/65/EU (RoHS2). Finished electrical and electronic equipment products will be CE marked as required by Directive 2011/65/EU. Components may not be CE marked. Additionally, the part numbers that TE has identified as EU ELV compliant have a maximum concentration of 0.1% by weight in homogenous materials for lead, hexavalent chromium, and mercury, and 0.01% for cadmium, or qualify for an exemption to these limits as defined in the Annexes of Directive 2000/53/EC (ELV). Regarding the REACH Regulation, the information TE provides on SVHC in articles for this part number is based on the latest European Chemicals Agency (ECHA) 'Guidance on requirements for substances in articles' posted at this URL: <https://echa.europa.eu/guidance-documents/guidance-on-reach>

Compatible Parts



TE Part # 58074-1
MTA 50/100/156 MANUAL TOOL
FRAME



TE Part # 6-292161-6
CT P/HDR ASSY V 6P W/KINK BLAC



TE Part # 292254-6
CT RELAY HDR ASSY 6P NAT



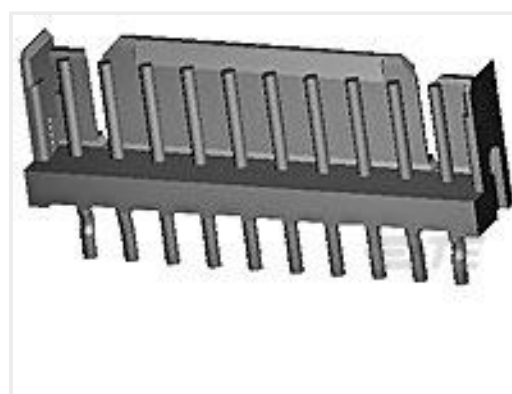
TE Part # 292250-6
CT P/HDR BOX H ASSY 6P W/KINK



TE Part # CAT-3980407-RHDRRA
CT 2mm Header Assembly: Right
Angle



TE Part # CAT-AM7017-H342
AMP COMMON TERMINATION
HEADERS



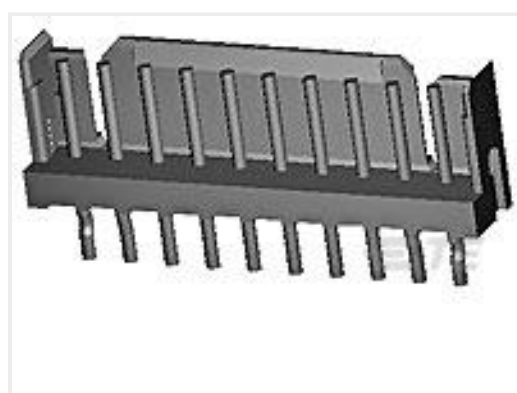
TE Part # 6-292170-6
CT P/HDR ASSY 6P V W/O KINK T



TE Part # 6-292254-6
CT RELAY HDR ASSY 6P BLACK



TE Part # CAT-3984552-BHTHVS
CT Box Header SMT: Vert, Shrouded



TE Part # 6-292145-6
CT P/HDR ASSY V 6P W/O KINK BL



TE Part # 6-292165-6
CT P/HDR BOX V 6P T/P BLACK



TE Part # CAT-3983178-PHBXVD
CT 2mm Post Header Asmbly: Box V
DIP



TE Part # CAT-3984552-PHITPS
CT Post Header Assembly: Part.
Shrouded



TE Part # 58372-1
HEAD (IDC) 2MM C.T. W/O TL



TE Part # 6-292156-6
CT RELAY HDR ASSY FREE HANGING

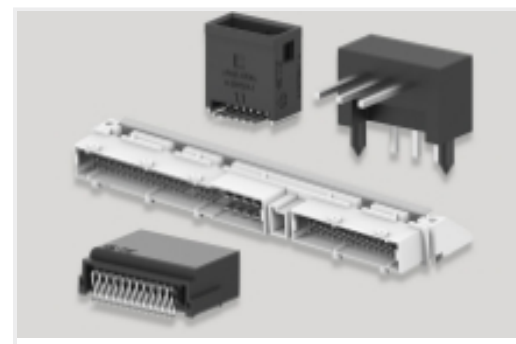
Also in the Series | [AMP CT](#)



Connector Contacts(8)



Connector Hardware(39)



PCB Headers & Receptacles(739)



Rectangular Connector Housings(74)



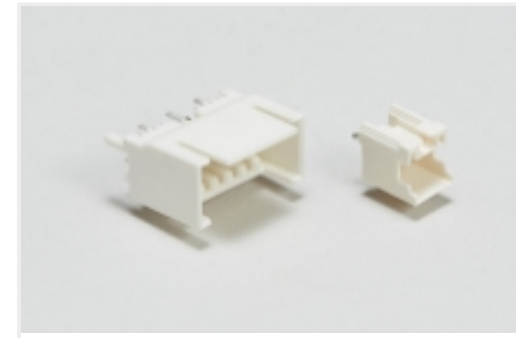
Rectangular Power Connectors(883)



Standard Rectangular Connectors(228)

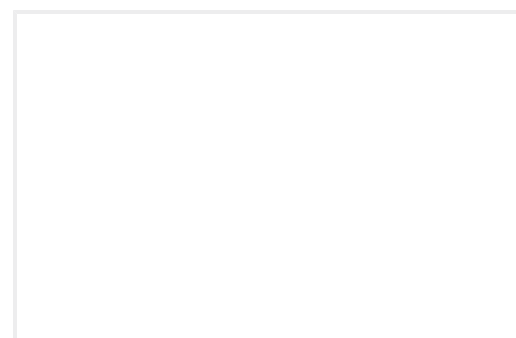


Wire-to-Board Connector Assemblies & Housings(165)



Wire-to-Board Headers & Receptacles (739)

Customers Also Bought

TE Part #172213-2
EIS CAP HSG PANEL MOUNT 2P
NATUTURALTE Part #CAT-AM7017-H8172
AMP COMMON TERMINATION
HOUSINGSTE Part #292254-6
CT RELAY HDR ASSY 6P NATTE Part #292254-9
CT RELAY HDR ASSY 9P NATTE Part #353293-5
MINI CT MT REC.ASSY 5P GRAYTE Part #5-353293-3
MINI CT MT REC.ASSY 3P BLUETE Part #939691-1
CRIMPER LUBRICAN OIL

Documents

CAD Files

Customer View Model

[ENG_CVM_CVM_6-173977-6_M.2d_dxf.zip](#)

English

3D PDF

3D

Customer View Model

[ENG_CVM_CVM_6-173977-6_M.3d_igs.zip](#)



English

Customer View Model

[ENG_CVM_CVM_6-173977-6_M.3d_stp.zip](#)

English

By downloading the CAD file I accept and agree to the [Terms and Conditions](#) of use.

Product Specifications

[Application Specification](#)

English

Instruction Sheets

[MINI PRESS CT CONNECTOR \(WAS IS-553J\)](#)

Japanese

[Instruction Sheet \(non U.S.\)](#)

Japanese

Agency Approvals

[CSA Certificate](#)

English

[CSA Certificate](#)

English