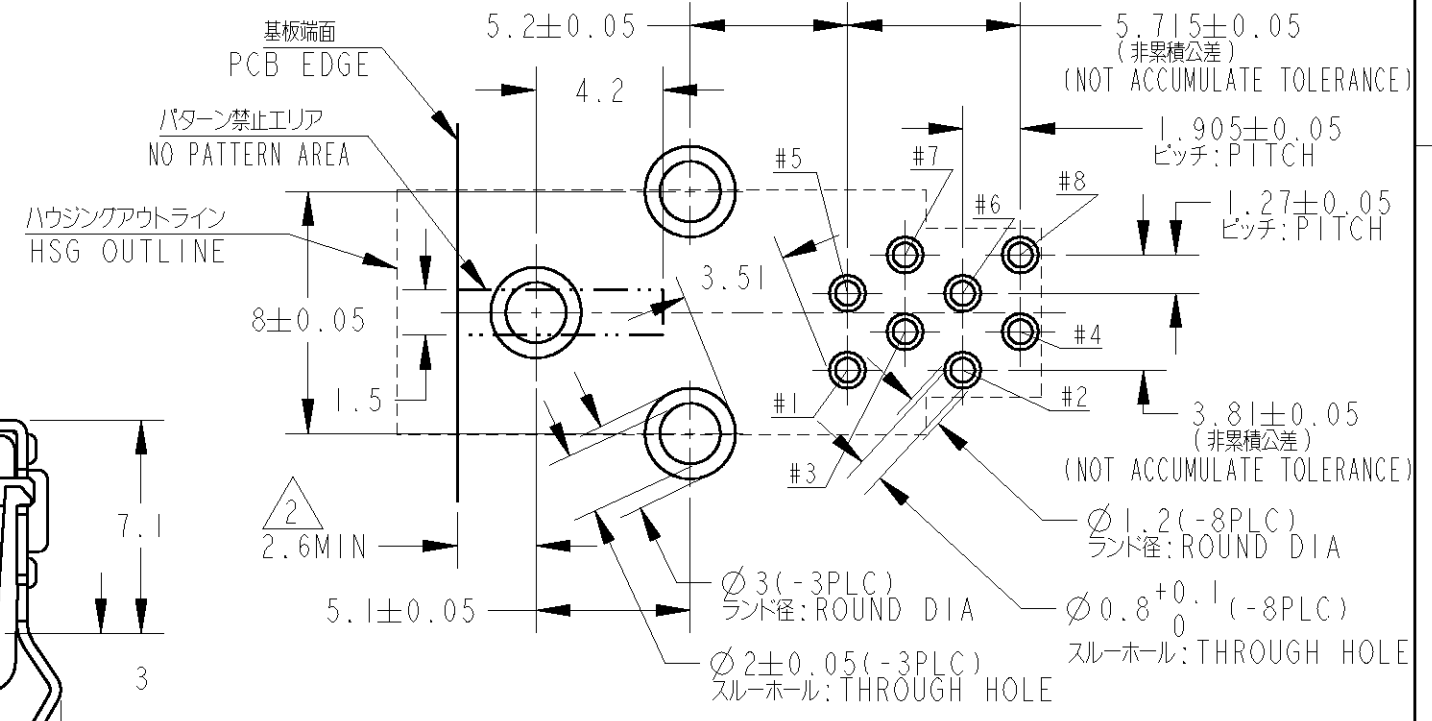
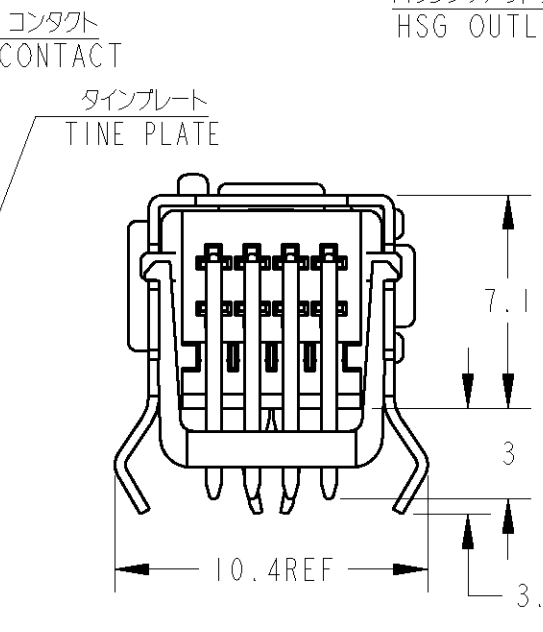
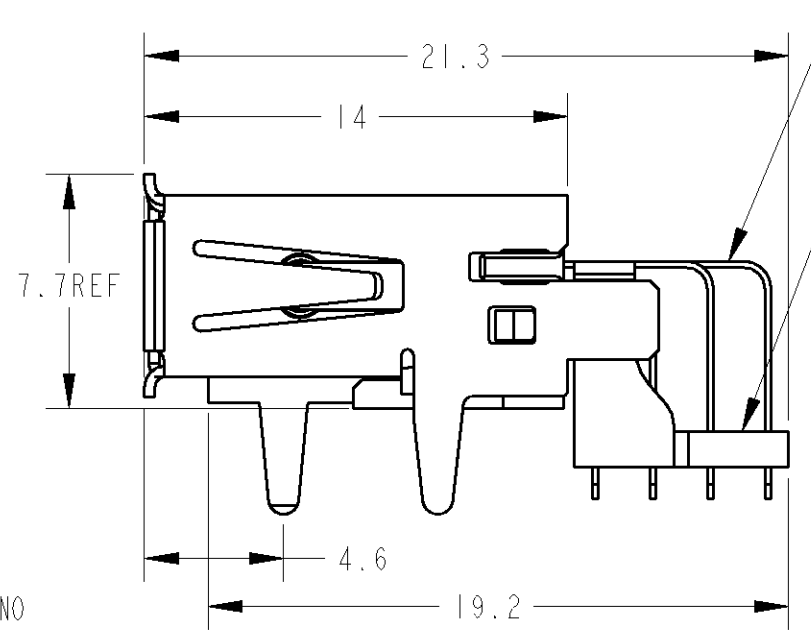
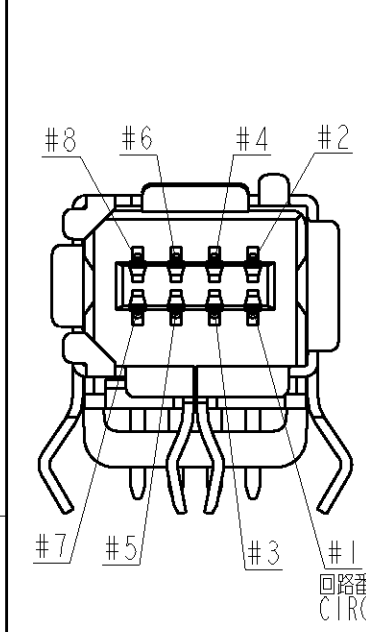
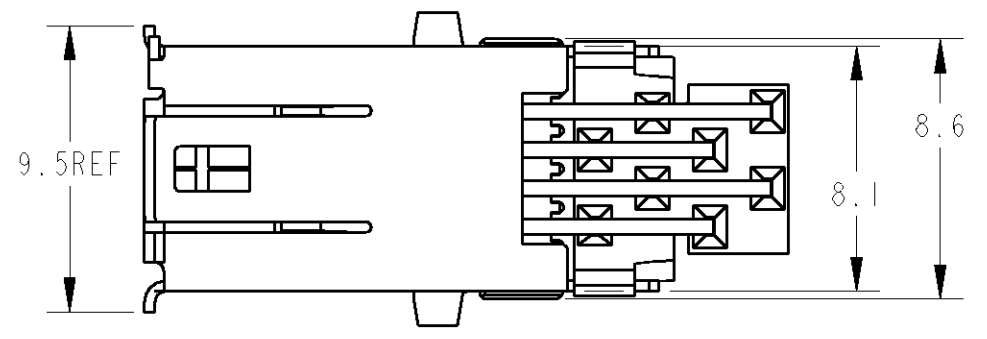
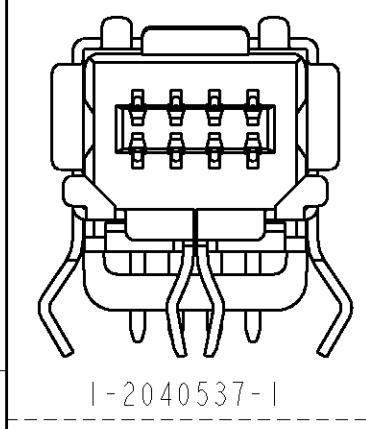
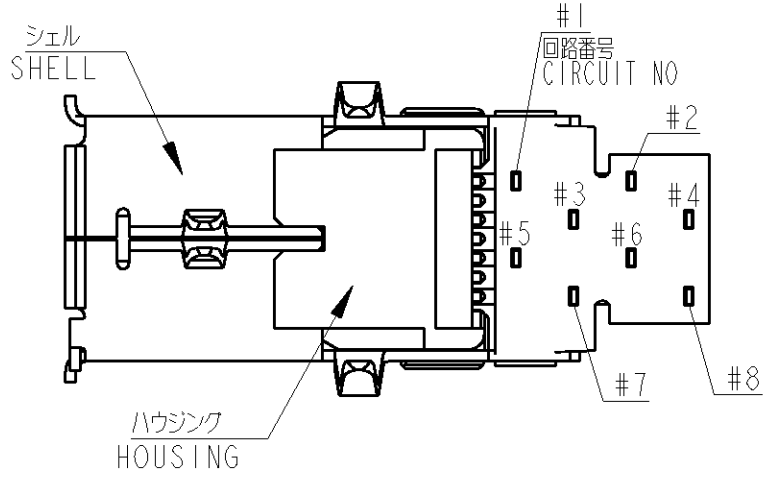


THIS DRAWING IS UNPUBLISHED. RELEASED FOR PUBLICATION 20  
 © COPYRIGHT 20 BY TYCO ELECTRONICS CORPORATION. ALL RIGHTS RESERVED.

LOC	DIST	REVISIONS					
		P	LTR	DESCRIPTION	DATE	DWN	APVD
J	-		A	RELEASED	14JUL2008	M.M	I.H



推奨基板寸法 (実装面側) ±1.6  
 RECOMMENDED BOARD DIMENSION (CONNECTOR SIDE) ±1.6



1. MATERIAL AND FINISH  
 CONTACT  
 COPPER ALLOY  
 UNDER ALL SURFACE NICKEL 1.27μm MIN  
 TOP CONTACT AREA : GOLD 0.5μm MIN  
 SOLDERING AREA : TIN PLATE  
 HOUSING  
 THERMO PLASTIC (UL94V-0)  
 SHELL  
 COPPER ALLOY  
 UNDER ALL SURFACE NICKEL  
 TOP ALL SURFACE TIN

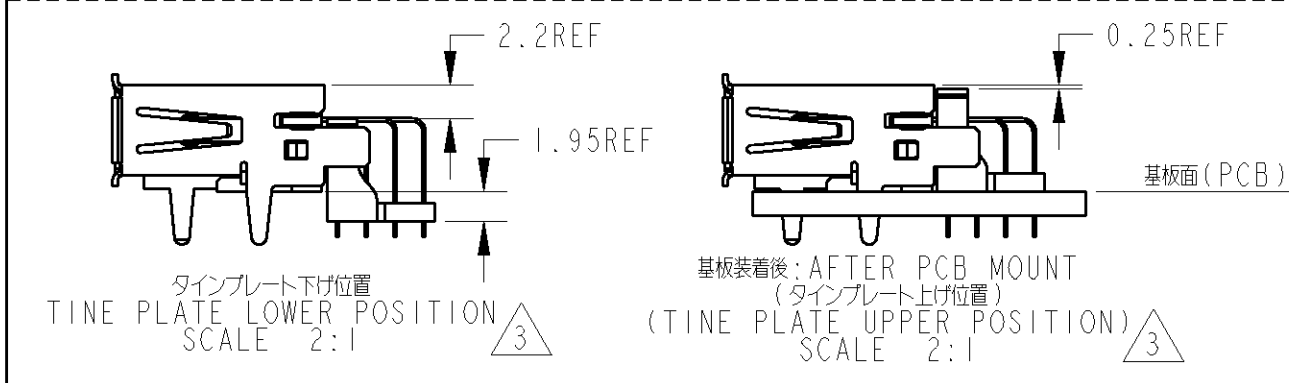
1. 材料及仕上げ  
 コンタクト  
 材料: 銅合金  
 全面ニッケル下地めっき 1.27μmMIN  
 接点部: 金めっき 0.5μmMIN  
 半田付け部: 錫めっき  
 ハウジング  
 材料: 熱可塑性樹脂 (難燃性UL94V-0)  
 シェル  
 材料: 銅合金  
 全面ニッケル下地めっき  
 全面錫めっき

2. DIMENSION DECIDED BY CUSTOMER.  
 3. TINE PLATE CAN MOVE UP AND DOWN.

2. 顧客決定寸法  
 3. タインプレートは可動式

AS SHOWN AS : 2040537-1

8	D-SHAPE TYPE-II	1-2040537-1
8	D-SHAPE TYPE-I	2040537-1
POS	DESCRIPTION	PART NO



THIS DRAWING IS A CONTROLLED DOCUMENT FOR TYCO ELECTRONICS CORPORATION  
 IT IS SUBJECT TO CHANGE AND THE CONTROLLING ENGINEERING ORGANIZATION  
 SHOULD BE CONTACTED FOR THE LATEST REVISION.

DWN	M. MAEBASHI	14JUL2008
CHK	I. HASEGAWA	14JUL2008
APVD	I. HASEGAWA	14JUL2008
PRODUCT SPEC	108-78405	
APPLICATION SPEC		
WEIGHT	-	

Tyco Electronics Tyco Electronics AMP K.K.  
 Kawasaki, Japan

INDUSTRIAL MINI I/O CONN  
 1.27mm PITCH  
 HDR ASSY (DIP/H-TYPE) 8POS

SIZE	A3	CAGE CODE	00779	DRAWING NO	2040537	RESTRICTED TO	-
SCALE	4:1	SHEET	1	OF	1	REV	A

CUSTOMER DRAWING