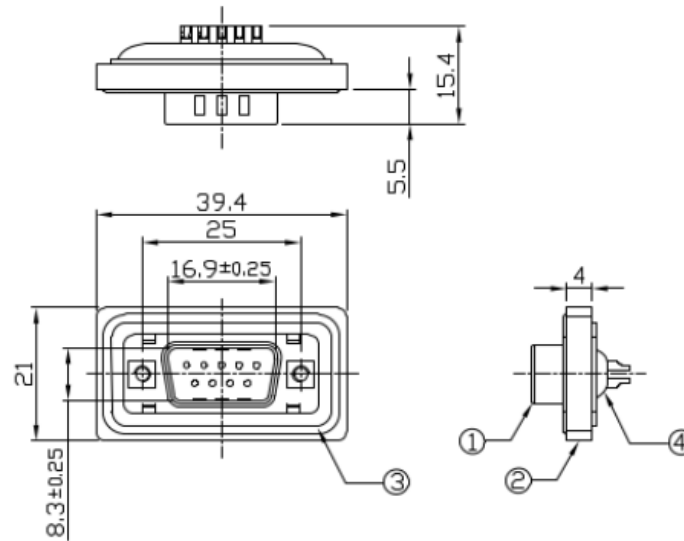
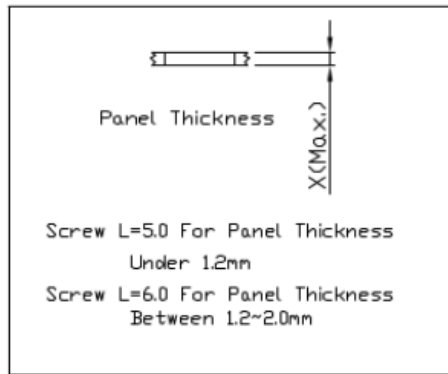




Notes: (Unless Otherwise Specified)

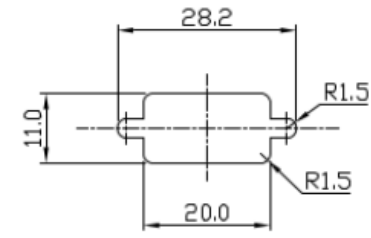
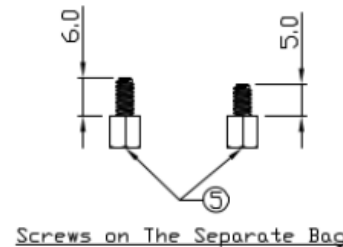
1. Waterproof Rate : IP68
2. Recommend Panel Thickness: 0.8 to 2.0 mm.
3. Recommend Torque: 2.5~3.0 Kgf-cm.
4. Mating Cap P/Ni125-7927
5. RoHS Compliant.

REV	ECN#	DESCRIPTION OF REVISION	DRAW BY DATE	CHECK BY DATE	APPROVE BY DATE
A2	ECN-150706	Modify Contacts Finish: Gold Flash → Au Plated	Joyce 07/09/15	Lucas 07/09/15	Ray 07/09/15



Mating Parts:
122-3039
122-3043

Item	Part Name	Material / Finish	Qty
5	Machine Screw	#4-40, Copper Alloy Finish: Ni Plated	4
4	Glue	Epoxy Color: Black	1
3	O-Ring	Silicone Color: Red	1
2	Housing	Thermoplastic Color: Black	1
1	D-SUB 9P Male	Shell: SPCC, Finish: Ni Plated Contacts: Copper Alloy, Finish: Au Plated Housing: Thermoplastic, Color: Black	1



TITLE						REV.
D-SUB 9P Panel Male Solder						A2
	B	1:1	Karen 09/04/09	Ray 09/04/09	Ray 09/04/09	X.X ± 0.5 X.XX ± 0.2
THIRD ANGLE PROJECTION	SIZE	SCALE	DRAW / DATE	CHECK / DATE	APPROVE / DATE	TOLERANCES
						ANGLES ± 1° mm
						UNIT SHEET

RS Stock No
122-3036