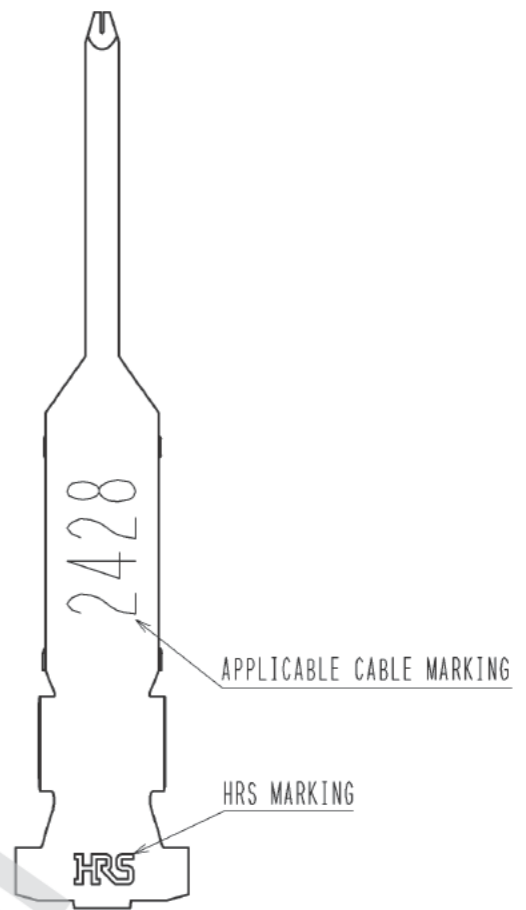
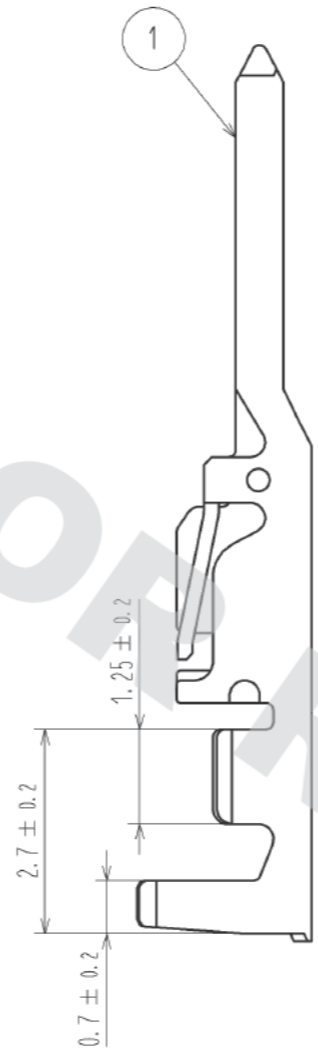
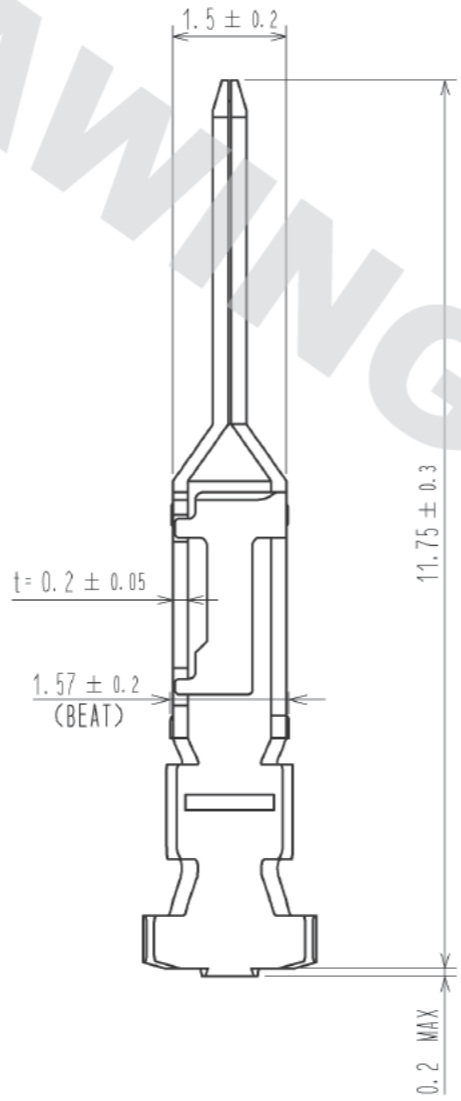
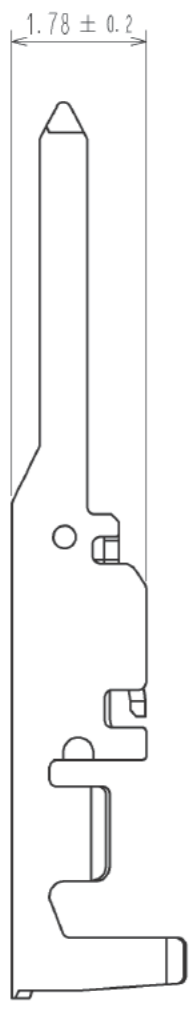


DRAWING FOR REFERENCE: This is subject to change without notice
05/31/2014

HRS DRAWING FOR REFERENCE



NOTE 1. 1PACK:100 CONTACTS

NO.		MATERIAL		FINISH . REMARKS		1		PHOSPHOR BRONZE		TIN PLATING 1 μm MIN			
UNITS		SCALE		COUNT		DESCRIPTION OF REVISIONS		DESIGNED		CHECKED		DATE	
mm		10:1		△									
 HIROSE ELECTRIC CO., LTD.		APPROVED : KI. AKIYAMA		14.04.26		DRAWING NO.		EDC3-352028-00					
		CHECKED : KI. AKIYAMA		14.04.26		PART NO.		DF62-EP2428PC					
		DESIGNED : TS. KUMAZAWA		14.04.25		CODE NO.		CL544-0576-0-00					
		DRAWN : TS. KUMAZAWA		14.04.25									