

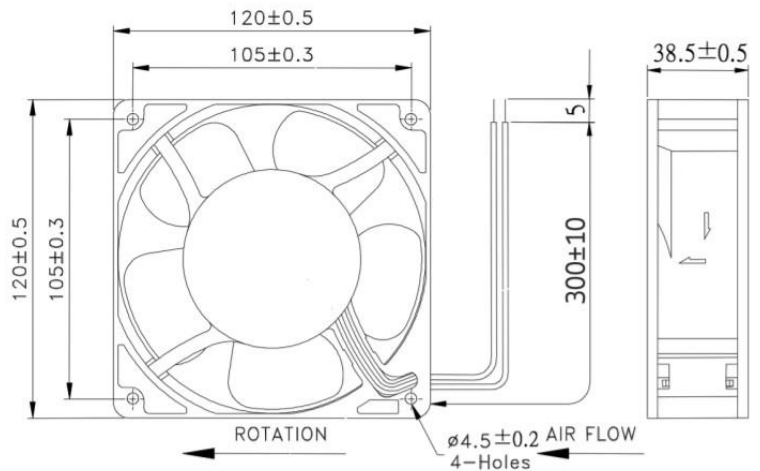


Datasheet

RS PRO DC FAN 120x38mm

Stock Number: 668-8855

EN



Frame	PBT UL94 V-0 Plastic	<u>Operating Temperature</u> -10°C ~ +70°C	<p>Static Pressure (H₂O)</p> <p>Airflow (CFM)</p>
Impeller	PBT UL94 V-0 Plastic	<u>Storage Temperature</u> -40°C ~ +70°C	
Connection	2x Wire Leads, 24 AWG	<u>Life Expectancy</u> 40,000 hours (L10 at 40°C)	
Motor	Brushless DC, Auto Cutoff, Auto Restart, Polarity Protected	Weight: 0.326Kgs (0.72 lbs)	
Bearing System	Sealed Sleeve		
Dielectric Strength	500VAC/min < 1mA		
Insulation Resistance	10M ohm between leadwire and frame (500VDC)		

Model Number	668-8855
Rated Voltage	24 VDC
Rated Power	4.8 W
Rated Current	0.23 A
Rated Speed (RPM)	2540
Airflow (CFM)	96
Noise Level (dB)	47
Max. Static Pressure	0.23"H ₂ O