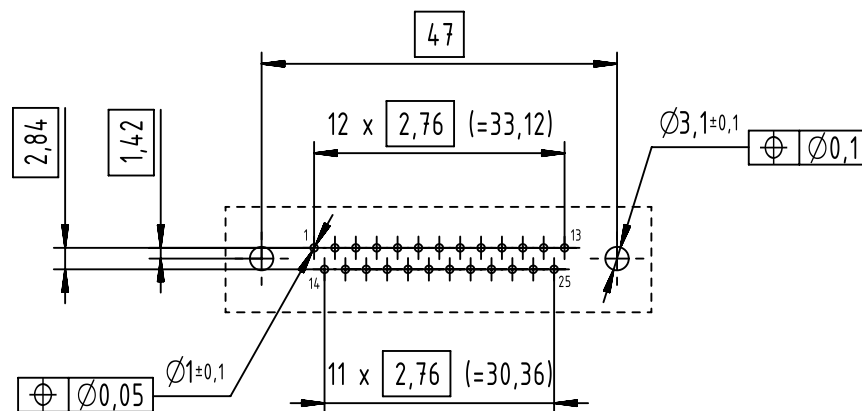
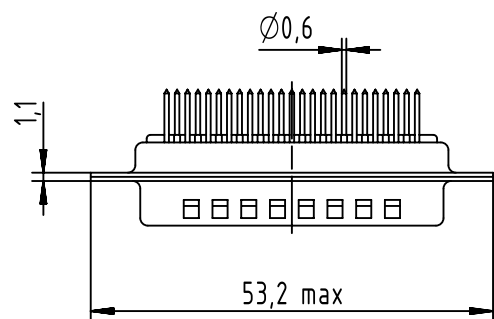


PC-Board layout
view component side



09 67 025 5655	PL2
09 67 025 5654	PL3
Part number	Performance level

	All rights reserved Department EC PD - FR	All Dimensions in mm Original Size DIN A4		Scale 1:1	Free size tol.	Ref.	
		Created by SONN	Inspected by BAGDIKIAN	Standardisation HOFFMANN	Date 2014-06-02	State Final Release	
HARTING Electronics GmbH D-32339 Espelkamp		Title D-Sub 25-Pole Male Straight				Doc-Key / ECM-Nr. 100578489/UGD/000/A 500000074980	
		Type TB	Number 0967025565X			Rev. A	Page 1/1