



TE Internal #: 925553-1
 Pin Terminal, 3.2 mm [.126 in] Pin Diameter, 17 – 13 AWG, 1 – 2.5 mm² Wire, 2048 – 5178 CMA, 10.9 mm [.43 in] Length, Open Barrel, Unplated Plating

[View on TE.com >](#)

Terminals & Splices > Crimp Wire Pins, Tabs & Ferrules



Crimp Wire Terminal Type: **Pin Terminal**

Mating Pin Diameter: **3.2 mm [.126 in]**

Compatible Insulation Diameter Range: **2.5 – 3.8 mm, 3.8 mm [.1 – .15 in, .15 in]**

Wire Size: **1 – 2.5 mm²**

Features

Product Type Features

| | |
|--|--------------------|
| Compatible With Discrete Wire Type | Solid, Stranded |
| Wire Insulation Support Retention Type | Insulation Support |

Configuration Features

| | |
|-----------------------------------|---------------|
| Compatible With Wire & Cable Type | Discrete Wire |
|-----------------------------------|---------------|

Contact Features

| | |
|---------------------------|------------------|
| Crimp Wire Terminal Type | Pin Terminal |
| Mating Pin Diameter | 3.2 mm [.126 in] |
| Barrel Type | Open |
| Terminal Plating Material | Unplated |
| Terminal Orientation | Straight |

Mechanical Attachment

| | |
|-------------------------|------|
| Wire Insulation Support | With |
|-------------------------|------|

Dimensions

| | |
|--------------------------------------|--|
| Compatible Insulation Diameter Range | 2.5 – 3.8 mm, 3.8 mm [.1 – .15 in][.15 in] |
| Wire Size | 2048 – 5178 CMA |



| | |
|-----------------------------|-----------------------------------|
| Barrel Inside Diameter | 2.24 mm, 3.2 mm[.088 in][.126 in] |
| Terminal Material Thickness | .32 mm[.013 in] |
| Overall Product Length | 10.9 mm[.43 in] |

Usage Conditions

| | |
|-------------------|-------------|
| Insulation Option | Uninsulated |
|-------------------|-------------|

Packaging Features

| | |
|--------------------|-------|
| Packaging Quantity | 14000 |
| Packaging Method | Roll |

Product Compliance

[For compliance documentation, visit the product page on TE.com>](#)

| | |
|---|---|
| EU RoHS Directive 2011/65/EU | Compliant |
| EU ELV Directive 2000/53/EC | Compliant |
| China RoHS 2 Directive MIIT Order No 32, 2016 | 有害物质含量符合标准要求 No Restricted Substance(s) Above Threshold |
| EU REACH Regulation (EC) No. 1907/2006 | Current ECHA Candidate List: JUNE 2025 (250) Candidate List Declared Against: JUNE 2025 (250) Does not contain REACH SVHC |
| Halogen Content | Low Halogen - Br, Cl, F < 900 ppm per homogenous material. Also BFR/CFR/PVC Free |
| Solder Process Capability | Not applicable for solder process capability |

Product Compliance Disclaimer

This information is provided based on reasonable inquiry of our suppliers and represents our current actual knowledge based on the information they provided. This information is subject to change. The part numbers that TE has identified as EU RoHS compliant have a maximum concentration of 0.1% by weight in homogenous materials for lead, hexavalent chromium, mercury, PBB, PBDE, DBP, BBP, DEHP, DIBP, and 0.01% for cadmium, or qualify for an exemption to these limits as defined in the Annexes of Directive 2011/65/EU (RoHS2). Finished electrical and electronic equipment products will be CE marked as required by Directive 2011/65/EU. Components may not be CE marked. Additionally, the part numbers that TE has identified as EU ELV compliant have a maximum concentration of 0.1% by weight in homogenous materials for lead, hexavalent chromium, and mercury, and 0.01% for cadmium, or qualify for an exemption to these limits as defined in the Annexes of Directive 2000/53/EC (ELV). Regarding the REACH Regulation, the information TE provides on SVHC in articles for this part number is based on the latest European Chemicals Agency (ECHA) 'Guidance on requirements for substances in articles' posted at this URL: <https://echa.europa.eu/guidance-documents/guidance-on-reach>

Compatible Parts




KIT

REPRESENTATION ONLY

TE Part # 7-2150226-7
[OCEAN_2.0_SPARE_PART_KIT-120F155F](#)



TE Part # 926867-2
[AM WIRE PIN 13-10 .013 PTPB](#)



TE Part # 2150226-2
[OCEAN-2.0-APPLICATOR-E-120F155F-REA](#)



TE Part # 2150226-1
[OCEAN-2.0-APPLICATOR-E-120F155F-REM](#)

Customers Also Bought



TE Part #1011-241-0605
[BKSHL, 6P, BLK, REC, ST, NW8.5/10/13](#)



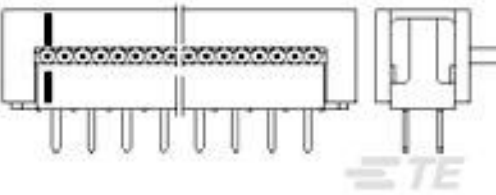
TE Part #60635-1
[250 FASTON REC 14-10 AWG TPBR](#)



TE Part #1-160301-6
[250 FASTON,REC.,10-12 AWG,TPBR](#)



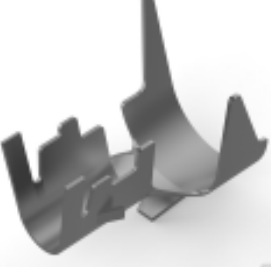
TE Part #172167-1
[4 CIR UNIV M-N-L PLUG](#)



TE Part #2-216792-6
[AMP LATCH ASSY 26 PO](#)



TE Part #321235
[RECEPT, FASTON SPLICE 22-10](#)



TE Part #1987984-1
[AMP IN TERMINAL 11.5-10 AWG](#)



TE Part #3-2834074-3
[3P PLUG, MINIATURE WATERPROOF CONN,RED](#)



TE Part #827039-2
[CIC.SOCKET ASSY.](#)



TE Part #2119588-1
[SPRING-FEED FINGER](#)

Documents

Product Drawings

[AM WIRE PIN 17-13 .013 BR](#)

English

CAD Files

[3D PDF](#)

3D

Customer View Model

[ENG_CVM_CVM_925553-1_S.2d_dxf.zip](#)



English

Customer View Model

[ENG_CVM_CVM_925553-1_S.3d_igs.zip](#)

English

Customer View Model

[ENG_CVM_CVM_925553-1_S.3d_stp.zip](#)

English

By downloading the CAD file I accept and agree to the [Terms and Conditions](#) of use.

Product Specifications

[Application Specification](#)

English