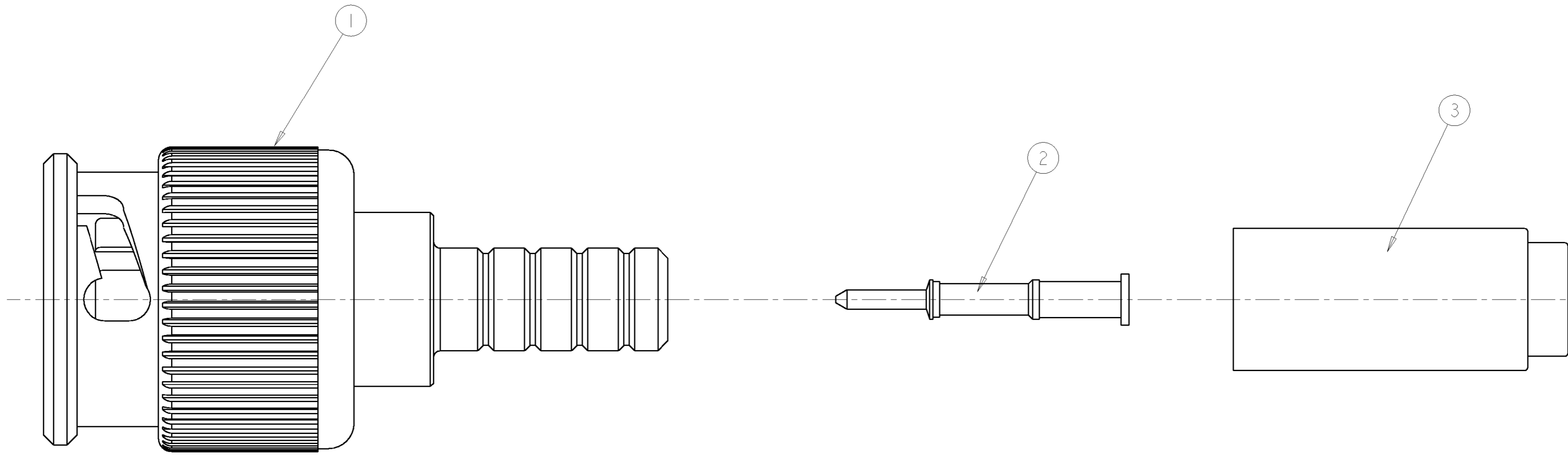


THIS DRAWING IS UNPUBLISHED. RELEASED FOR PUBLICATION 20  
 © COPYRIGHT 20 BY TYCO ELECTRONICS CORPORATION. ALL RIGHTS RESERVED.

LOC	DIST	REVISIONS					
		P	LTR	DESCRIPTION	DATE	DWN	APVD
AJ	16		D	REV PER 0S14-0345-04	09AUG2004	KW	KW



- 1. ITEMS PACKAGED UNASSEMBLED
- 2. SEE SEPARATE CUSTOMER DRAWINGS FOR ITEM DETAILS
- 3. SEE INSTRUCTION SHEET 408-8871 FOR CABLE TERMINATION DETAILS

RG179	.042 [1.07]	.178 [4.52]	9-413658-0	1274565-6	1274564-3	1274563-3
734A	.042 [1.07]	.255 [6.48]	9-221132-3	1274565-4	1274564-2	1274563-2
735A	.042 [1.07]	.178 [4.52]	9-413658-2	1274565-2	1274564-1	1274563-1
CABLE	CONTACT CRIMP (SQUARE)	FERRULE CRIMP (HEX)	③ FERRULE QTY = 1	② CONTACT QTY = 1	① PLUG ASSY QTY = 1	PART NUMBER

THIS DRAWING IS A CONTROLLED DOCUMENT FOR TYCO ELECTRONICS CORPORATION. IT IS SUBJECT TO CHANGE AND THE CONTROLLING ENGINEERING ORGANIZATION SHOULD BE CONTACTED FOR THE LATEST REVISION.

DWN	K. WEIDNER	03OCT2003	Tyco Electronics Harrisburg, PA 17105-3608	
CHK	G. MICHAEL	3FEB2004		
APVD	K. WEIDNER	3FEB2004		
PRODUCT SPEC	108-2159			
APPLICATION SPEC	-		NAME	STRAIGHT PLUG KIT, MINI BNC
WEIGHT	-		SIZE	A2
CUSTOMER DRAWING			CAGE CODE	00779
			DRAWING NO	1274563
			RESTRICTED TO	-
			SCALE	8:1
			SHEET	1
			OF	1
			REV	D