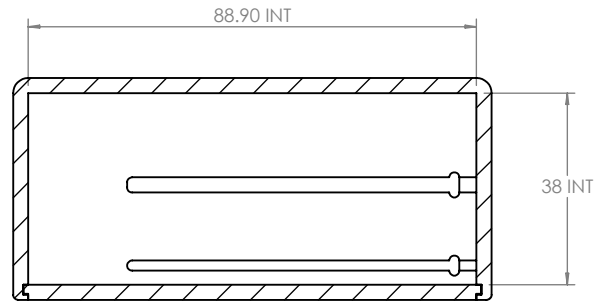
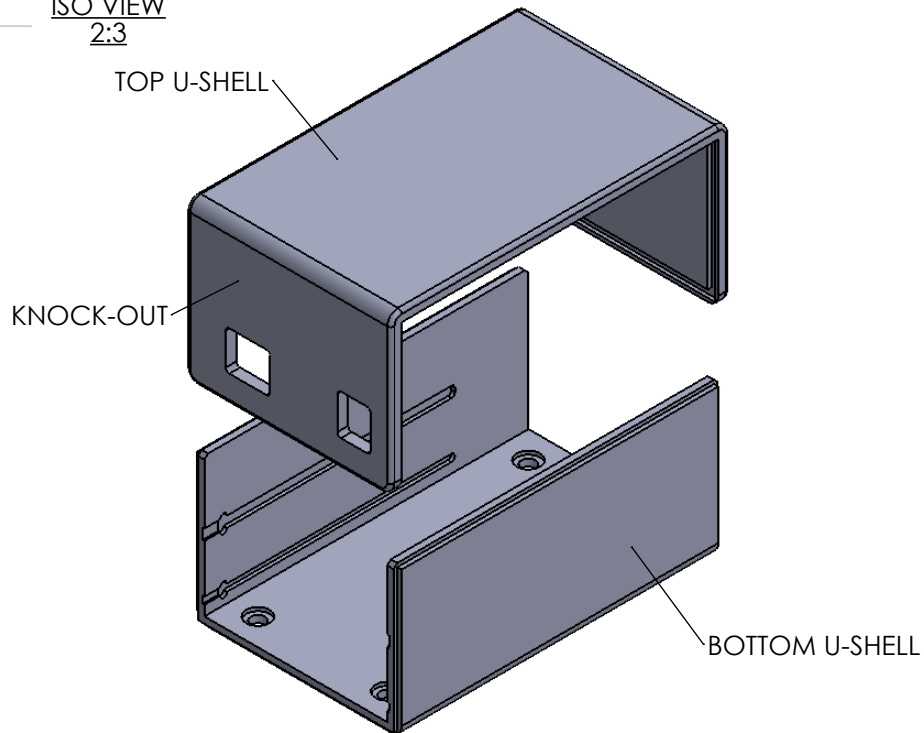


ISO VIEW
2:3



CAMDENBOSS
ELECTRONICS & ENCLOSURES
JAMES CARTER RD, MILDENHALL, SUFFOLK. IP28 7DE
TEL: 01638 716101 FAX: 01638 716554
EMAIL: Sales@CamdenBoss.com
WEB: www.CamdenBoss.com

UNLESS OTHERWISE SPECIFIED:
DIMENSIONS ARE IN MILLIMETERS

DO NOT SCALE DRAWING

REVISION. 0

GENERAL TOLERANCES +/- 0.2

TITLE:
**GENERAL ASSEMBLY DRAWING
FOR ARDUINO ENCLOSURE**

FINISH:
GLOSS

DWG NO.

CBARD

A4

| | NAME | SIGNED | DATE |
|-------|-----------------|--------|----------|
| DRAWN | MATTHEW WALLACE | MJW | 02/05/13 |
| CHK'D | DAN SMALLEY | DIS | 02/05/13 |

MATERIAL:
3mm THK VAR

SCALE: 2 : 3

SHEET 1 OF 1

PROJECTION.