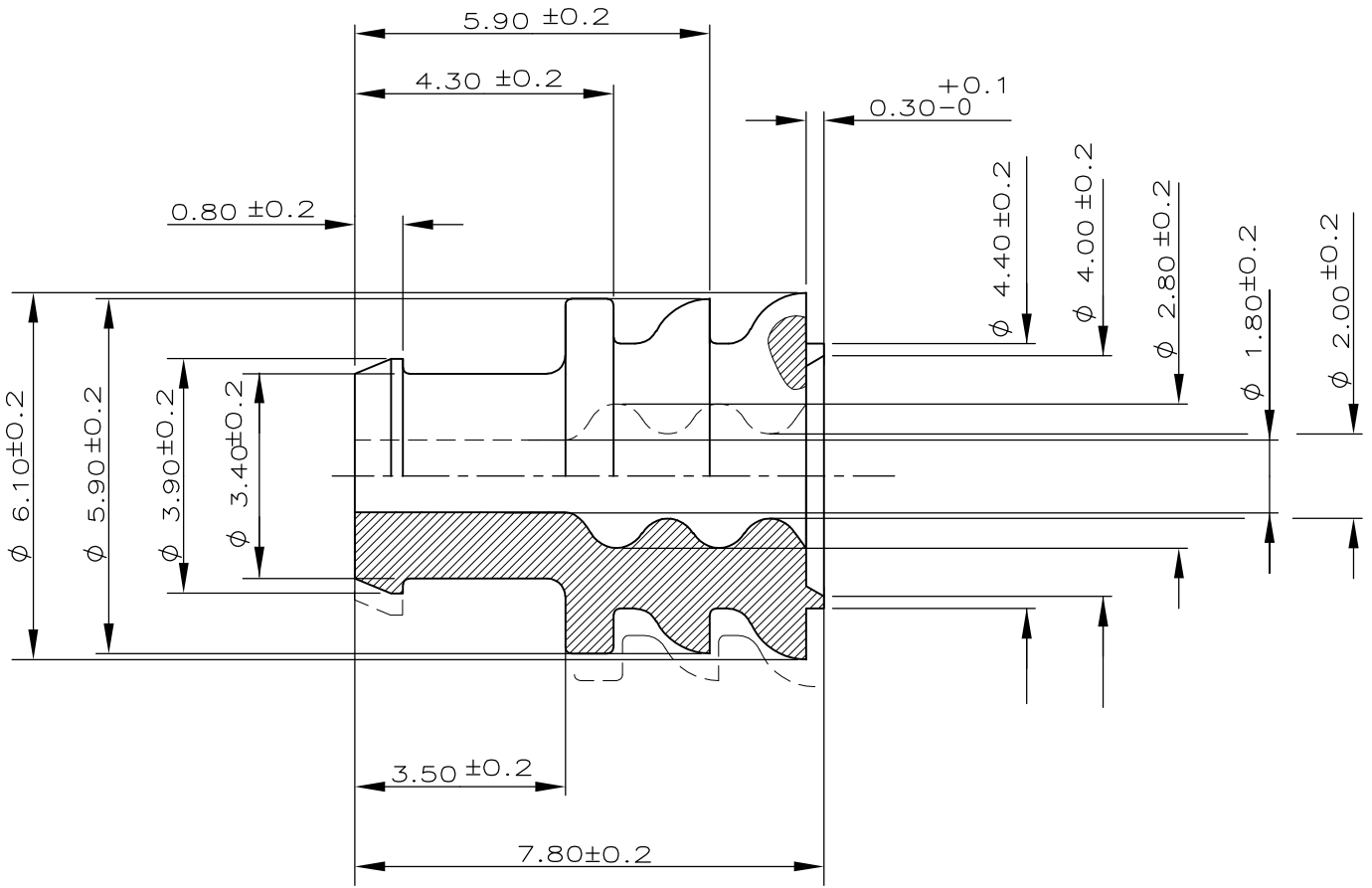


LOC I	DIST —	REVISIONS			
P	LTR	DESCRIPTION	DATE	DWN	APVD
	H1	REVISED PER ECO-11-005033	02APR11	RK	HMR



RELEASED FOR PUBLICATION

ALL RIGHTS RESERVED.

THIS DRAWING IS UNPUBLISHED.

By -
COPYRIGHT -

METRIC

DIAM. ISOLANTE
(INS. DIA. RANGE)
2.5-3.3mm

RANGO FILO
(WIRE RANGE)

ROSSO-RED

GOMMA AL SILICONE
SILICONE RUBBER

281934-3

FINITURA / COLORE
(FINISH / COLOUR)

MATERIALE
(MATERIAL)

NUMERO
(PART NUMBER)

CUSTOMER DWG.
FOR REFERENCE ONLY

DISEGNO PER CLIENTE
SOLO PER RIFERIMENTO

DIMENSIONS:
mm

DWN
C.BERTINI 10-89

MATERIAL -

FINISH -

CHK
A.BRUNI 10-89

APVD
-

PRODUCT SPEC
-

APPLICATION SPEC
-

WEIGHT -

TE TE Connectivity

NAME
WIRE SEAL

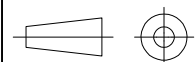
SIZE A4 CAGE CODE 00779 DRAWING NO C-281934

RESTRICTED TO
-

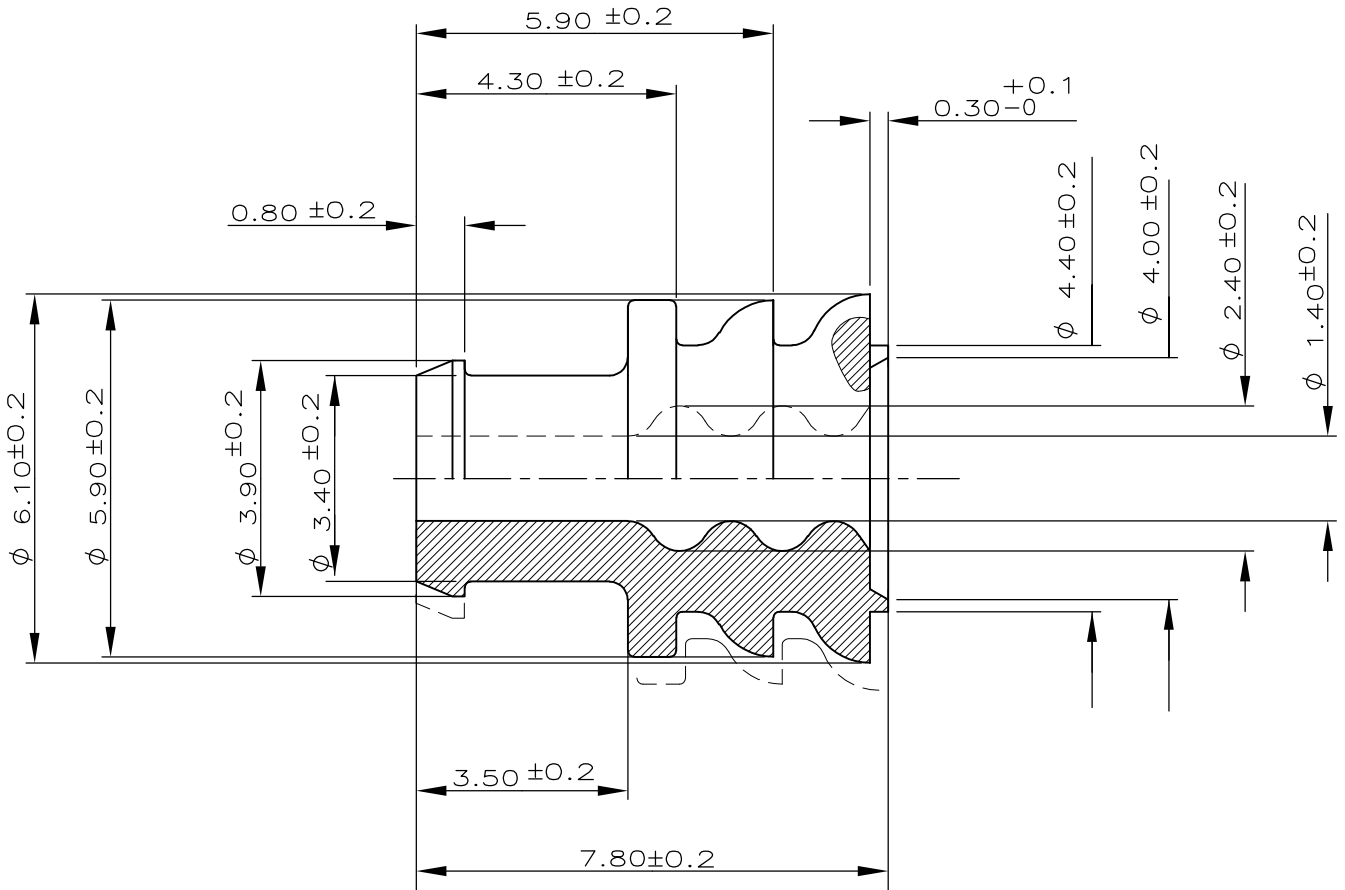
CUSTOMER DRAWING

SCALE - SHEET 1 OF 3 REV H1

- 0 PLC ± -
- 1 PLC ± 0.3
- 2 PLC ± -
- 3 PLC ± -
- 4 PLC ± -
- ANGLES ± 2°



LOC I	DIST —	REVISIONS			
P	LTR	DESCRIPTION	DATE	DWN	APVD
	—	SEE SHEET 1	—	—	—



RELEASED FOR PUBLICATION

ALL RIGHTS RESERVED.

THIS DRAWING IS UNPUBLISHED.

By —
COPYRIGHT —

METRIC

DIAM. ISOLANTE
(INS. DIA. RANGE)
1.7–2.4mm

RANGO FILO
(WIRE RANGE)

GIALLO—YELLOW

GOMMA AL SILICONE
SILICONE RUBBER

281934–2

FINITURA / COLORE
(FINISH / COLOUR)

MATERIALE
(MATERIAL)

NUMERO
(PART NUMBER)

CUSTOMER DWG.
FOR REFERENCE ONLY

DISEGNO PER CLIENTE
SOLO PER RIFERIMENTO

DIMENSIONS:

mm

TOLERANCES UNLESS
OTHERWISE SPECIFIED:

- 0 PLC ± —
- 1 PLC ± 0.3
- 2 PLC ± —
- 3 PLC ± —
- 4 PLC ± —
- ANGLES ± 2°

DWN —

MATERIAL —

FINISH —

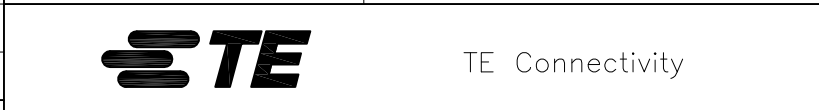
CHK —

APVD —

PRODUCT SPEC —

APPLICATION SPEC —

WEIGHT —

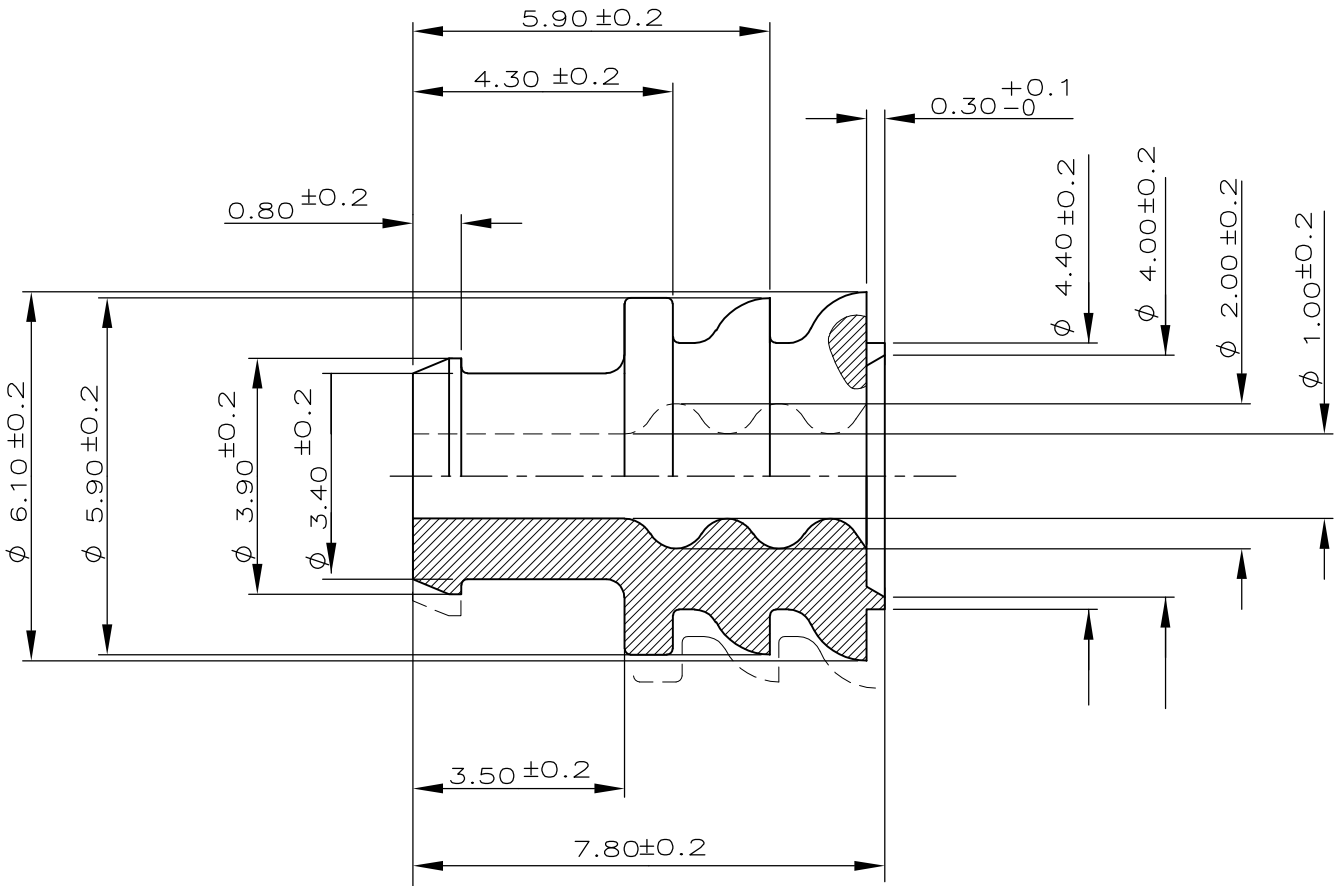


NAME
WIRE SEAL

SIZE	CAGE CODE	DRAWING NO	RESTRICTED TO
A4	00779	C-281934	—

CUSTOMER DRAWING SCALE — SHEET 2 OF 3 REV H1

LOC I	DIST —	REVISIONS			
P	LTR	DESCRIPTION	DATE	DWN	APVD
	—	SEE SHEET 1	—	—	—



RELEASED FOR PUBLICATION

ALL RIGHTS RESERVED.

THIS DRAWING IS UNPUBLISHED.

By —
COPYRIGHT —

METRIC

DIAM. ISOLANTE
(INS. DIA. RANGE)
1.2–1.6mm

RANGO FILO
(WIRE RANGE)

VERDE-GREEN	GOMMA AL SILICONE SILICONE RUBBER	281934-4
FINITURA / COLORE (FINISH / COLOUR)	MATERIALE (MATERIAL)	NUMERO (PART NUMBER)

CUSTOMER DWG. FOR REFERENCE ONLY	DISEGNO PER CLIENTE SOLO PER RIFERIMENTO
-------------------------------------	---

DIMENSIONS: mm	DWN	—	MATERIAL	—	FINISH	—
	CHK	—				
TOLERANCES UNLESS OTHERWISE SPECIFIED:	APVD	—				
0 PLC ± —	PRODUCT SPEC	—	NAME WIRE SEAL			
1 PLC ± 0.3	APPLICATION SPEC	—	SIZE	CAGE CODE	DRAWING NO	RESTRICTED TO
2 PLC ± —	WEIGHT	—	A4	00779	C-281934	—
3 PLC ± —			CUSTOMER DRAWING			
4 PLC ± —			SCALE	—	SHEET	3 OF 3
ANGLES ± 2°						REV H1

