

Features

- 11mm x 30mm panel cutout
- 20A / 250VAC
- 50,000 cycles
- SPST
- Non illuminated and illuminated versions.
- Splash proof cap accessory

RS PRO Rocker Switches

RS Stock No.: 7932493, 7932487, 9143588,
7932490, 7932484, 7932480



RS PRO is the own brand of RS. The RS PRO Seal of Approval is your assurance of professional quality, a guarantee that every part is rigorously tested, inspected, and audited against demanding standards. Making RS PRO the Smart Choice for our customers.

Product Description

Single pole illuminated and non-illuminated switches, manufactured in Europe. Designed for panel mount applications.

- Single pole on-off latching, momentary, changeover versions
- Illuminated red and green
- Suitable for a wide range of applications including small appliances, PDUs, HVAC and cleaning equipment.

General Specifications

	7932493	7932487	9143588	7932490
RS Code:				
Contact Configuration	SPST 	SPST 	SPST 	SPST 
Switch Operation	On-Off, Latching	On-Off, Latching	On-Off, Latching	On-Off, Momentary
Illuminated	No	No	No	No
Actuator Colour	Black	Black	White	Black
Actuator Shape	Rectangular	Rectangular	Rectangular	Rectangular
Legend Text	No legend	0 I	0 I	No legend
Legend Text Colour		White	Black	
Contact Material	Copper alloy, silver plated			
Case Material	PA66			
Actuator Style	Rocker			

RS Code:	7932484	7932480		
Contact Configuration	SPST 	SPST 		
Switch Operation	On-Off Latching	On-Off, Latching		
Illuminated	Yes	Yes		
Actuator Colour	Green	Red		
Actuator Shape	Rectangular	Rectangular		
Legend Text	No legend	No legend		
Contact Material	Copper alloy, silver plated			
Case Material	PA66			
Actuator Style	Rocker			
Lamp Type	Neon			

Electrical Specifications

RS Code:	7932493, 7932487, 9143588, 7932484, 7932480	7932490
Contact Current Rating	20(2)A	16(6)A
	Resistive load (inductive load)	
AC Voltage Rating	250VAC	
Terminal Type	Blade	
Termination Style	Quick Connect 6.3x0.8mm	
Illumination Voltage	250VAC	

Mechanical Specifications

Panel Cut Out Size	11x30mm
Panel Cut Out Width	11mm
Panel Cut Out Height	30mm
Mounting Type	Panel
Mechanical Life	Up to 50,000 cycles
Unit Weight	6g

Operation Environment Specifications

Operating Temperature Range	Housing 125°C / Rocker 55 °C
-----------------------------	------------------------------

Protection Category

IP Rating	IP40 / IP54 with splash proof cap
-----------	-----------------------------------

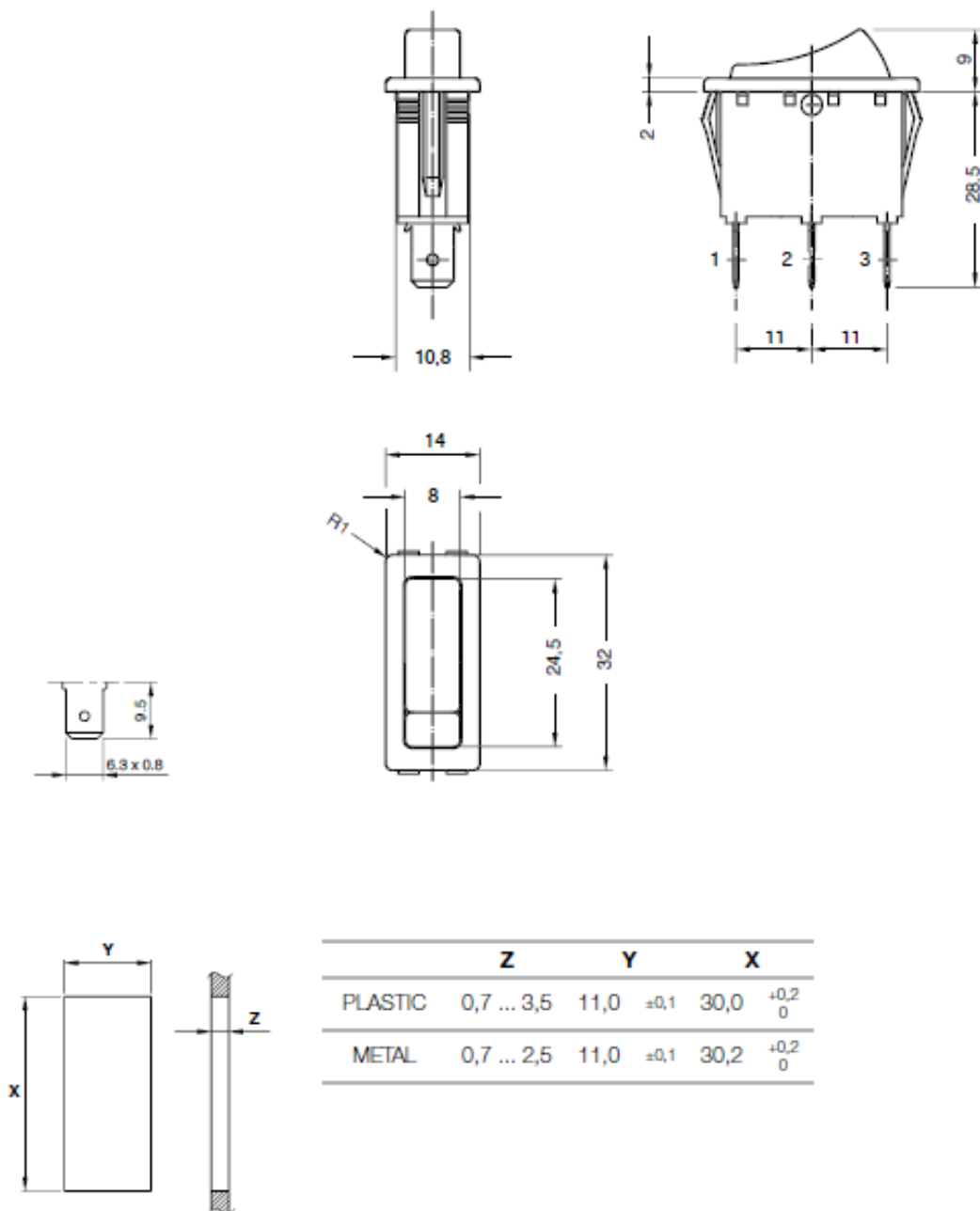
Classification

Class of Appliance	II
--------------------	----

Approvals

Compliance/Certifications	EN 61058-1, ENEC, UL, CE
Declarations	GWFI 850°C heat and fire resistance

CONSTRUCTIONAL DIAGRAM/CIRCUIT DIAGRAMS



Recommended that the cutout should be 11 x 30.0mm with a tolerance of +0.2, this can make a big difference to the fitting.

Accessory – Splash Proof Cap RS Code 7932503

For IP54 protection if fitted correctly to switch.



Splash proof cap and separate bezel to fit 11x22mm rocker switches.