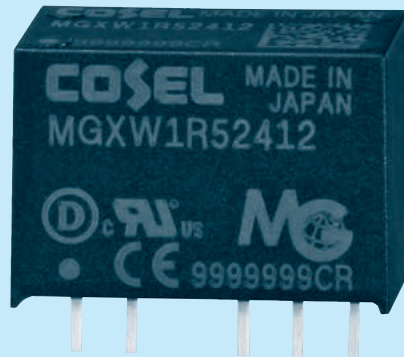


MGXW1R5

MGX W 1R5 24 12 -□

① ② ③ ④ ⑤ ⑥



- ① Series name
- ② Dual output
- ③ Output wattage
- ④ Input voltage
- ⑤ Output voltage
- ⑥ Optional

MODEL	MGXW1R52412	MGXW1R52415
MAX OUTPUT WATTAGE[W]	1.56	1.50
DC OUTPUT	VOLTAGE[V] *1	±12 or +24
	CURRENT[A]	0.065

SPECIFICATIONS

	MODEL	MGXW1R52412	MGXW1R52415	
INPUT	VOLTAGE[V]	DC6 - 60 (Surge voltage 76V, 100ms max) (Refer to the instruction manual for input voltage derating.)		
	CURRENT[A] *2	0.082typ	0.079typ	
	EFFICIENCY[%] *2	80typ	80typ	
OUTPUT	VOLTAGE[V]	±12 (+24)	±15 (+30)	
	CURRENT[A]	0.065	0.05	
	LINE REGULATION[mV]	60max	75max	
	LOAD REGULATION[mV]	*3	480max	600max
		*4	600max	750max
	RIPPLE[mVp-p] *5	150max	150max	
	RIPPLE NOISE[mVp-p] *5	200max	200max	
	TEMPERATURE REGULATION[mV]	-20 to +85°C	210max	260max
		-40 to +85°C	320max	390max
	DRIFT[mV] *6	48max	60max	
START-UP TIME[ms]	30max			
OUTPUT VOLTAGE SETTING[V]	11.64 - 12.36	14.55 - 15.45		
PROTECTION CIRCUIT	OVERCURRENT PROTECTION	Works over 105% of rating and recovers automatically		

GENERAL SPECIFICATIONS

ISOLATION	INPUT-OUTPUT	DC1,500V or AC1,000V 1minute, Cutoff current=10mA, DC500V 1,000MΩ min (20±15°C)
ENVIRONMENT	OPERATING TEMP., HUMID. AND ALTITUDE	-40 to +85°C, 20 to 95%RH (Non condensing) (Required derating), 5,000m (16,400feet) max
	STORAGE TEMP., HUMID. AND ALTITUDE	-40 to +100°C, 20 to 95%RH (Non condensing), 9,000m (30,000feet) max
	VIBRATION	10 - 55Hz 98.0m/s ² (10G), 3minute period, 60minutes each along X, Y and Z axis
	IMPACT	490.3m/s ² (50G) 11ms, once each along X, Y and Z axis
SAFETY	AGENCY APPROVALS	UL60950-1, C-UL, EN60950-1
OTHERS	CASE SIZE/WEIGHT	17.0×12.0×8.5mm [0.67×0.48×0.34 inches] (W×H×D) / 4g max
	COOLING METHOD	Convection/Forced air

*1 Single output +24V, +30V with no use of COM.

*2 Rated input 24V DC I_o=100%

*3 Symmetrical loading from 20% to 100%.

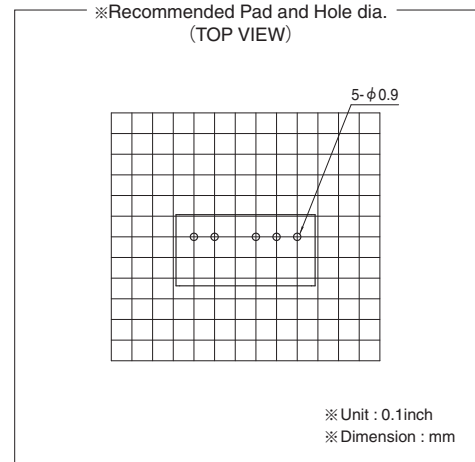
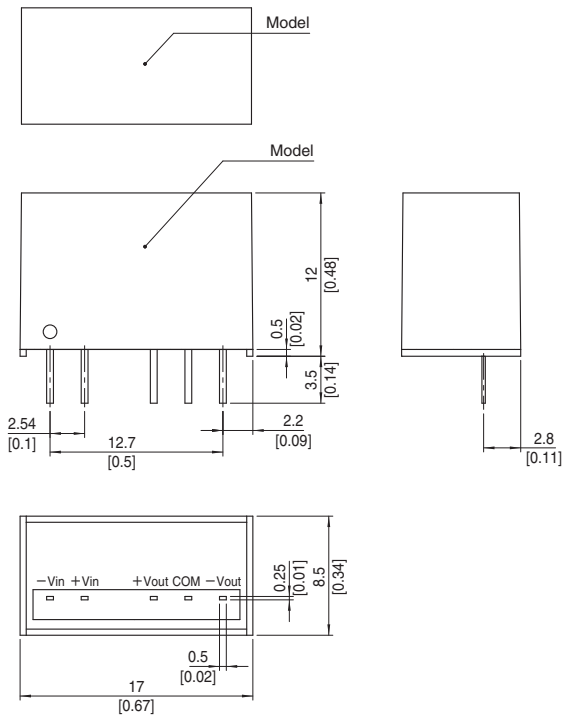
*4 Symmetrical loading from 0% to 100%.

*5 Ripple and Ripple Noise is measured by using test board with ceramic capacitor 1μF at 50mm from output pins. (20MHz Oscilloscope)

*6 Drift is the DC output accuracy for eight hours period after a half-hour warm-up at 25°C.

* Parallel operation with other model is not possible.

External view



- ※ Tolerance ± 0.5 [± 0.02]
- ※ Dimensions in mm, []= inches
- ※ Pin terminal material : Copper
- ※ Planting treatment of terminal : Lead free plating
- ※ Case material : PBT
- ※ Weight 4g max