

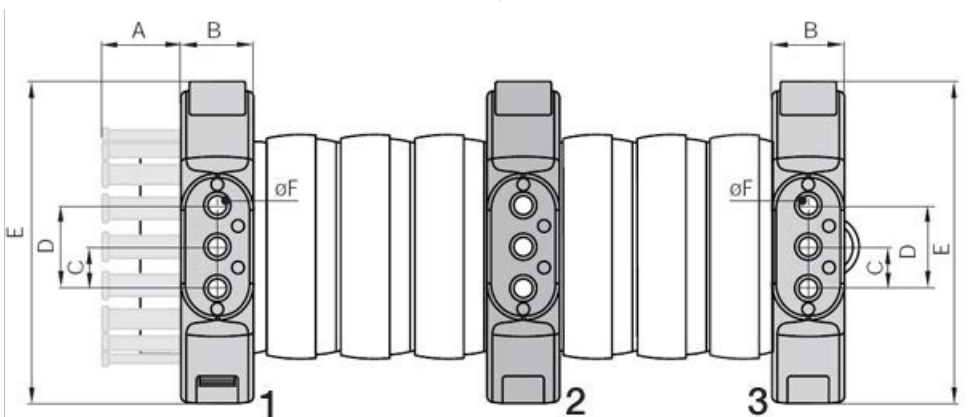
Search United Kingdom

- [Products](#) | 
 [Services](#) | 
 [Shopping Cart \(0\)](#) | 
 [Order fast](#) | 
 [Industrial solutions](#) | 
 [Company](#) | 
 [Press](#) | 
 [Exhibitions](#)

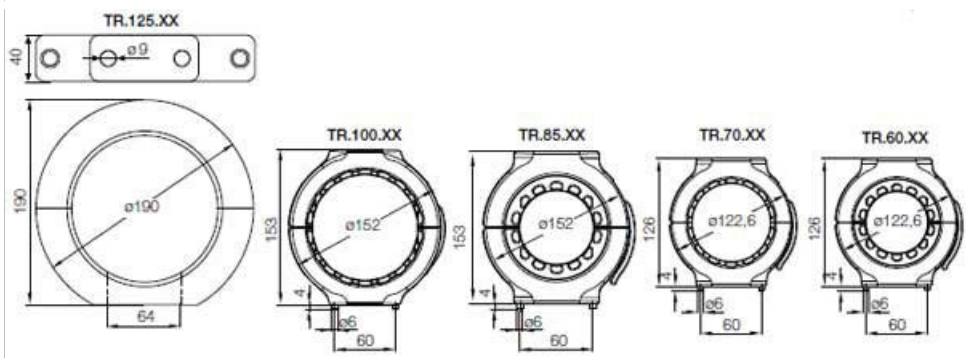
Home > Robots > Triflex® R mounting brackets

### Accessories TRC, TRE and TRL: Mounting brackets

- Option: Standard mounting bracket**
- Quick and simple mounting
  - Shortest machine downtimes for the replacement of a filled Triflex® R
  - Mounting bracket available with (1) strain relief teeth
  - Mounting bracket also available as (2) intermediate connection and as (3) swivel bearing
  - Quick assembly with captive snap-on connection
  - Adapter bores for well-established robot types
  - Terminal or intermediate fastening potential



(1) Mounting bracket with strain relief TR.XX.01  
 (2) Mounting bracket as intermediate connection TR.XX.02  
 (3) Mounting bracket without strain relief TR.XX.02



For E-Chain®	Mounting bracket with strain relief	Mounting bracket as intermediate connection	Dim. A [mm]	Dim. B [mm]	Dim. C [mm]	Dim. D [mm]	Dim. E [mm]	Dim. Ø F [mm]
TRC/TRE/TRL.30.	Please use TL.30.01.XX (see below)							
TRC/TRE/TRL.40.	TR.40.01.M6	TR.40.02.M6	17,8	21	13,5	27	85	6,5
TRC/TRE/TRL.60.	TR.60.01.M8	TR.60.02.M8	25	35	20	40	126	9
TRC/TRE/TRL.70.	TR.70.01.M8	TR.70.02.M8	25	35	20	40	126	9
TRC/TRE.85.	TR.85.01.M8	TR.85.02.M8	40	35	20	40	153	9
TRC/TRE/TRL.100.	TR.100.01.M8	TR.100.02.M8	38	35	20	40	153	9
TRC/TRE.125.		TR.125.02.M8	For measurements see drawing above					

\* Dimensions in drawing  
 Strain reliefs are possible on the fixed end and/or moving end!  
 Standard: Through bore in the Ø F  
 Option: with threaded bushings, steel, M6/M8

#### Your contact



Justin Leonard  
 01604 677240

Your requirements?

myigus   
 myCatalog

- Home
- QuickSpec
- Assembly Instructions
- Catalogs/samples
- Email the product expert
- Application examples

No minimum order value  
 8<sup>00</sup> - 8<sup>00</sup>  
 Delivery+Consultation  
 Delivery from 24h\*

Free samples

Is something not to your liking? / Feedback

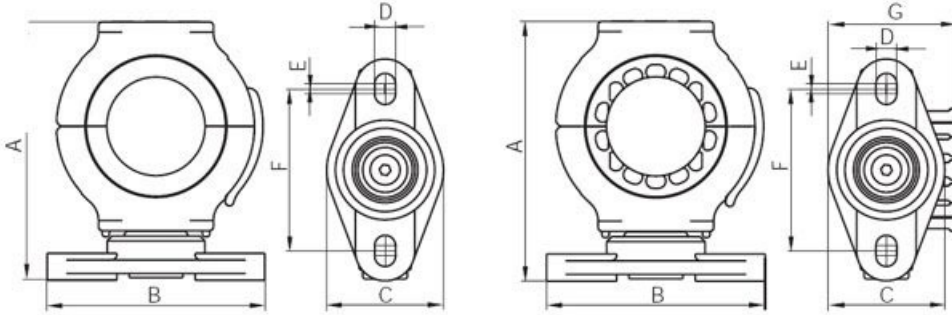
More than 100,000 products available!  
 Delivery and Customer Service Mon-Fri from 8am-8pm and Sat from 8am-12pm!

- Terms and Conditions
- Imprint
- General Information
- Data Privacy Protection Declaration

**Option: Swivel bearing - favorable motion sequence**

In order to ensure a better and favorable motion sequence of the cables to be used, a balance must be attained in extreme twisting and flexing cycles especially for cables whose bending radii are extremely sensitive (e.g. fiber optic cable).

- 2 versions (with or without strain relief)
- Pivoted mounting with maintenance-free igubal® spherical bearings
- Minimization of critical bending cycles
- Gentler motion

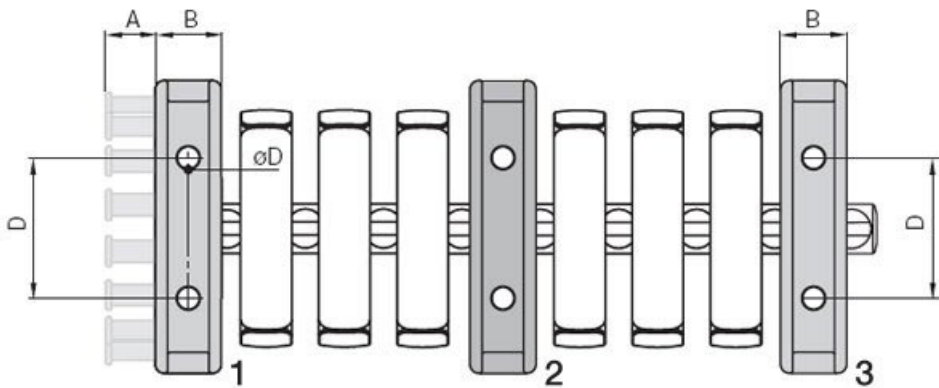


For E-Chain®	Swivel bearing with strain relief	Swivel bearing as intermediate connection	Dim. A [mm]	Dim. B [mm]	Dim. C [mm]	Dim. D [mm]	Dim. E [mm]	Dim. F [mm]	Dim. G [mm]
TRC/TRE/TRL.40.	TR.40.03	TR.40.04	105	89	47	8,4	4,1	65	51,8
TRC/TRE/TRL.60.	TR.60.03	TR.60.04	152	118	65	10,5	5,5	87,5	73,5
TRC/TRE/TRL.70.	TR.70.03	TR.70.04	152	118	65	10,5	5,5	87,5	73,5
TRC/TRE.85.	TR.85.03	TR.85.04	179	118	65	10,5	5,5	87,5	88
TRC/TRE/TRL.100.	TR.100.03	TR.100.04	179	118	65	10,5	5,5	87,5	88

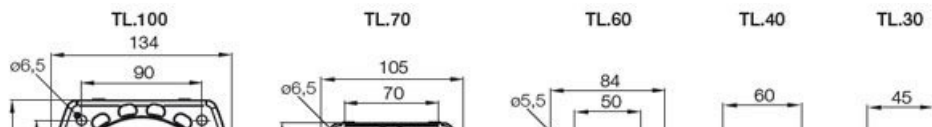
\* Only TR.XX.03

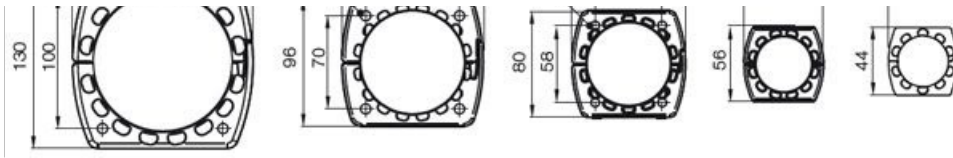
**Option: Light mounting bracket**

- Standard for TRL version, but also compatible with all Triflex® R options (TRC/TRE)
- Mounting bracket available with (1) strain relief teeth
- Mounting bracket also available as (2) intermediate connection
- Cost efficient and light
- For simple 3D motions and loads
- Consists of two halves, easy to mount



- (1) Mounting bracket with strain relief TL.XX.01.Z2
- (2) Mounting bracket as intermediate connection TL.XX.01.Z0
- (3) Mounting bracket without strain relief TL.XX.01.Z0





For E-Chain®	Swivel bearing with strain relief	Swivel bearing as intermediate connection	Dim. A [mm]	Dim. B [mm]	Dim. C [mm]	Dim. D [mm]	Dim. E [mm]	Dim. F [mm]	Dim. G [mm]
TRC/TRE/TRL.40.	TR.40.03	TR.40.04	105	89	47	8,4	4,1	65	51,8
TRC/TRE/TRL.60.	TR.60.03	TR.60.04	152	118	65	10,5	5,5	87,5	73,5
TRC/TRE/TRL.70.	TR.70.03	TR.70.04	152	118	65	10,5	5,5	87,5	73,5
TRC/TRE.85.	TR.85.03	TR.85.04	179	118	65	10,5	5,5	87,5	88
TRC/TRE/TRL.100.	TR.100.03	TR.100.04	179	118	65	10,5	5,5	87,5	88

\* Only TR.XX.03

Social Networks



The full functionality of our website is enhanced if you allow your browser to accept cookies + popups + JavaScript.

The terms "igus", "Chainflex", "Easy Chain", "E-Chain", "E-Chain System", "E-Ketten", "E-KettenSysteme", "Energy Chain", "Energy Chain Systems", "Flizz", "invis", "manus", "ReadyChain", "ReadyCable", "Triflex", "TwisterChain", "DryLin", "iglidur", "iglide", "igubal", "plastics for longer life", "xiros", "xirodur", "roboLink", "pikchain", "CFRIP", "speedigus" and "vector" are legally protected trademarks of igus® GmbH and/or igus® Inc.