

Pneumados

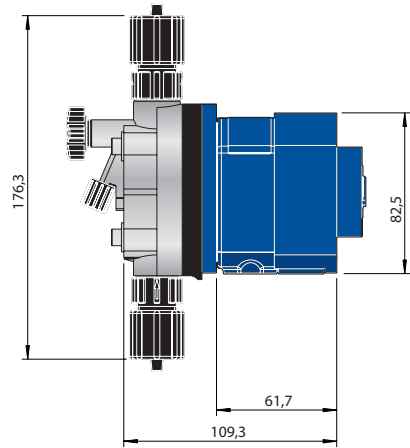
Pneumatically-driven diaphragm metering pumps

The standard solution for simple metering tasks wherever no electrical power is available.

- Capacity range
0.76–16.7 l/h, 16–2 bar
- Continuous stroke length adjustment
- Material versions PTFE and stainless steel
- Stroke rate of up to 180 strokes/min

Typical applications

- Car-washing systems
- Animal feed treatment
- Bottle disinfection in bottling plants



Pump type	Pump capacity at max. back pressure			Stroke rate Strokes/min	Suction lift mWs	Connector size a Ø x i Ø mm
	bar	l/h	ml/stroke			
PNDb 1000	10	0.76	0.07	180	6.0	6x4
PNDb 1601	16	1.00	0.09	180	6.0	6x4
PNDb 1602	16	1.70	0.16	180	6.0	6x4
PNDb 1005	10	3.80	0.35	180	5.0	8x5 ¹⁾
PNDb 0708	7	6.30	0.58	180	4.0	8x5
PNDb 0413	4	10.50	0.97	180	3.0	8x5
PNDb 0220	2	16.70	1.55	180	2.0	12x9

1) With stainless steel design 6 x 4 mm

Wetted materials				
Design	Dosing head	Suction/pressure connector	Seals	Valve balls
PVT	PVDF	PVDF	PTFE	Ceramic
SST	Stainless steel material no. 1.4404	Stainless steel material no. 1.4404	PTFE	Ceramic