

2236454-1 ✓ ACTIVE

AMP+ | HVA 630

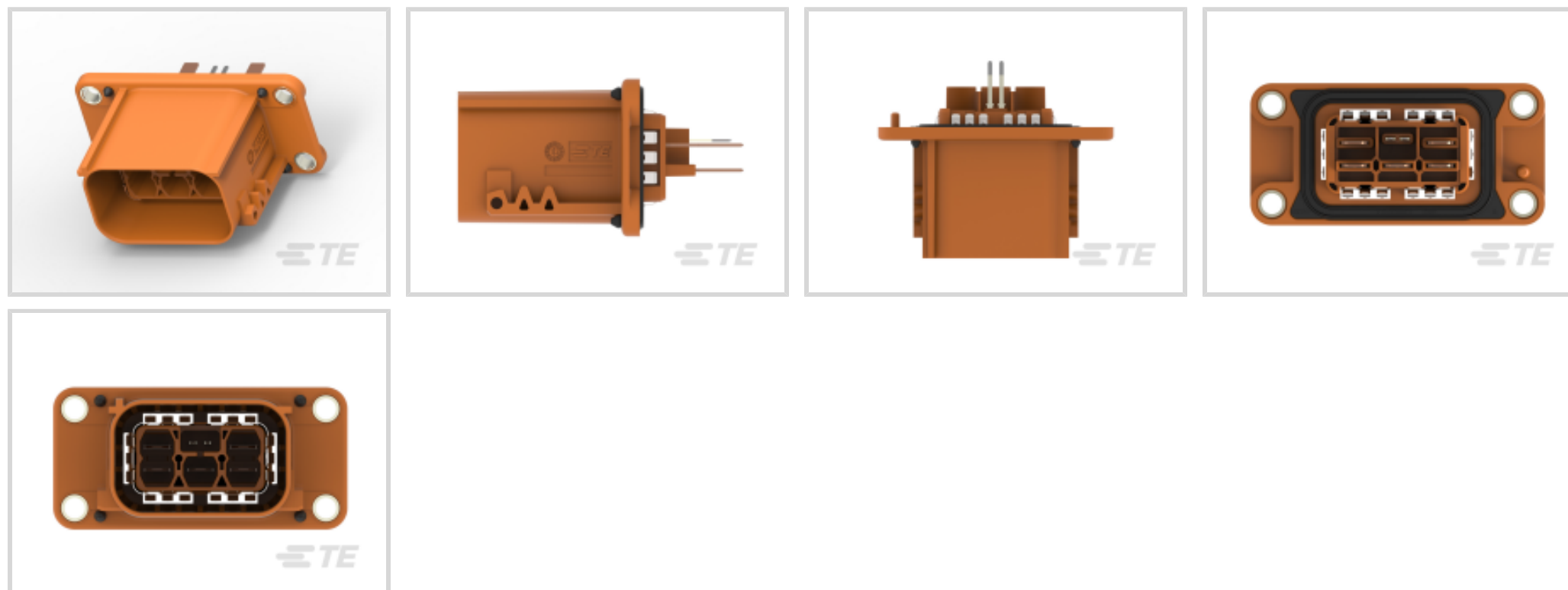
TE Internal #: 2236454-1

Vertical, Wire-to-Board, 7 Position, 2 Rows, 12mm / 4mm [.157in / .472in] Centerline, Tin over Nickel, Sealable, Printed Circuit Board, HVA 630

[View on TE.com >](#)



Automotive Parts > Automotive Connectors > Automotive Headers > High-Voltage Header



PCB Mount Orientation: **Vertical**

Termination Method to PCB: **Through Hole - Solder**

Sealable: **Yes**

Centerline (Pitch): **4 mm, 12 mm [.157 in, .472 in]**

Connector System: **Wire-to-Board**

[All High-Voltage Header \(4\)](#)

Features

Product Type Features

Connector Product Type	Connector Assembly
Mixed & Hybrid Header	Yes
Header Type	Fully Shrouded
Connector Shape	Rectangular
Sealable	Yes
Connector System	Wire-to-Board
Connector & Contact Terminates To	Printed Circuit Board

Configuration Features

Number of Signal Positions	7
Number of Sections	1
PCB Mount Orientation	Vertical
Number of Positions	7
Number of Rows	2



Electrical Characteristics

Operating Voltage	850 VDC
Voltage Rating (Max)	850 VDC
Nominal Voltage Architecture	850 V

Body Features

Connector & Keying Code	A
Primary Product Color	Orange

Contact Features

Mating Tab Width	1.2 mm, 6.3 mm [.062 in][.248 in]
Mating Tab Thickness	.6 mm, .8 mm [.023 in][.031 in]
Contact Type	Tab
Contact Mating Area Plating Material	Tin over Nickel

Termination Features

Termination Method to PCB	Through Hole - Solder
---------------------------	-----------------------

Mechanical Attachment

Panel Mount Feature	Without
Mating Retention Type	Locking Interface
PCB Mount Retention	Without
Mounting Holes	Without
Mating Alignment	With
PCB Mount Alignment	Without
Connector Mounting Type	Board Mount

Housing Features

Centerline (Pitch)	4 mm, 12 mm [.157 in][.472 in]
--------------------	--------------------------------

Dimensions

	.063 in
Connector Width	82 mm [3.23 in]
Profile Height from PCB	39.5 mm [1.55 in]
Connector Length	52.1 mm [2.05 in]

Usage Conditions

Operating Temperature (Max)	140 °C [284 °F]
-----------------------------	-----------------



Operating Temperature Range	-40 – 140 °C[-40 – 284 °F]
-----------------------------	----------------------------

Operation/Application

Shielded	Yes
Circuit Application	Power & Signal

Industry Standards

IP Rating	IP6K7, IP6K9K
-----------	---------------

Packaging Features

Packaging Quantity	108
Packaging Method	Box

Other

Interface Number	114-9409
------------------	----------

Product Compliance

[For compliance documentation, visit the product page on TE.com>](#)

EU RoHS Directive 2011/65/EU	Compliant
EU ELV Directive 2000/53/EC	Compliant
China RoHS 2 Directive MIIT Order No 32, 2016	No Restricted Materials Above Threshold
EU REACH Regulation (EC) No. 1907/2006	Current ECHA Candidate List: JUNE 2025 (250) Candidate List Declared Against: JAN 2025 (247) Does not contain REACH SVHC
Halogen Content	Low Halogen - Br, Cl, F < 900 ppm per homogenous material. Also BFR/CFR/PVC Free
Solder Process Capability	Not reviewed for solder process capability

Product Compliance Disclaimer


This information is provided based on reasonable inquiry of our suppliers and represents our current actual knowledge based on the information they provided. This information is subject to change. The part numbers that TE has identified as EU RoHS compliant have a maximum concentration of 0.1% by weight in homogenous materials for lead, hexavalent chromium, mercury, PBB, PBDE, DBP, BBP, DEHP, DIBP, and 0.01% for cadmium, or qualify for an exemption to these limits as defined in the Annexes of Directive 2011/65/EU (RoHS2). Finished electrical and electronic equipment products will be CE marked as required by Directive 2011/65/EU. Components may not be CE marked. Additionally, the part numbers that TE has identified as EU ELV compliant have a maximum concentration of 0.1% by weight in homogenous materials for lead, hexavalent chromium, and mercury, and 0.01% for cadmium, or qualify for an exemption to these limits as defined in the Annexes of Directive 2000/53/EC (ELV). Regarding the REACH Regulation, the information TE provides on SVHC in articles for this part number is based on the latest European Chemicals Agency (ECHA) 'Guidance on requirements for substances in articles' posted at this URL: <https://echa.europa.eu/guidance-documents/guidance-on-reach>



Compatible Parts



TE Part # 2141608-1
5POS,AMP MCP6.3/4.8K,REC HSG,A




TE Part # YHVA630-5PHM-6MM-A
HVA630-5phm,5x6sqmm,Key A



TE Part # YHVA630-3PHM-4MM-A
HVA630-5phm,3x4sqmm,Key A



TE Part # 1-2282265-5
5POS,HVA,630,PIGTAIL,HYB ASSY

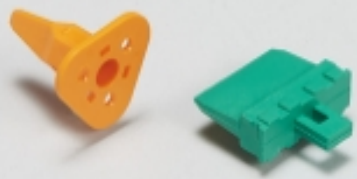


TE Part # YHVA630-4PHM-4MM-A
HVA630-5phm,4x4sqmm,Key A

Also in the Series | HVA 630




Automotive Connector Caps & Covers (1)



Automotive Connector Locks & Position Assurance(1)



Automotive E-Mobility Headers(2)

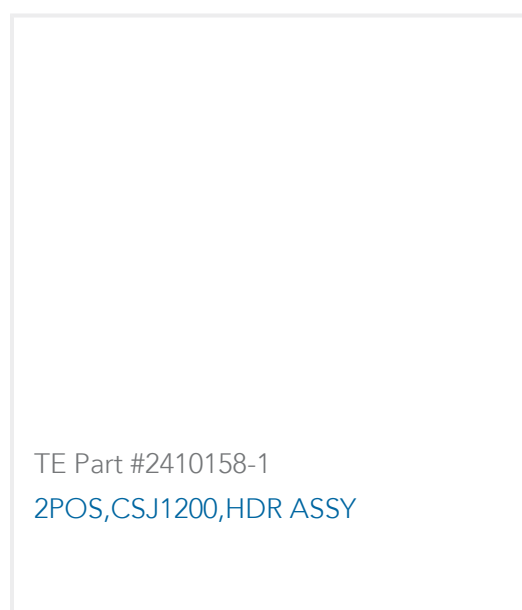


Automotive Housings(5)



Electric, Hybrid & Fuel Cell Cable Assemblies(7)

Customers Also Bought



Documents

Product Drawings

5POS,HVA630,180DEG,HEADER,COD A

English

CAD Files

3D PDF

3D

Customer View Model

ENG_CVM_CVM_2236454-1_B.2d_dxf.zip

English

Customer View Model

ENG_CVM_CVM_2236454-1_B.3d_igs.zip

English

Customer View Model

ENG_CVM_CVM_2236454-1_B.3d_stp.zip

English

By downloading the CAD file I accept and agree to the [Terms and Conditions](#) of use.

Product Specifications



Application Specification

English