

## Key Fob Remote (#700-10016)

The Key Fob Remote is a simple device that lets you control four outputs on the included Receiver PCB. Just press a button on the Remote to make the corresponding output pins on the Receiver PCB send a 5 V high signal.



### Features

- 4 channel control
- Signal indicator LED
- Remote and Receiver PCB are pre-synchronized
- ~250 foot range (line of sight)
- Source 40 mA per Receiver channel @ 5 VDC for your projects
- Pre-installed battery in the remote

### Key Specifications

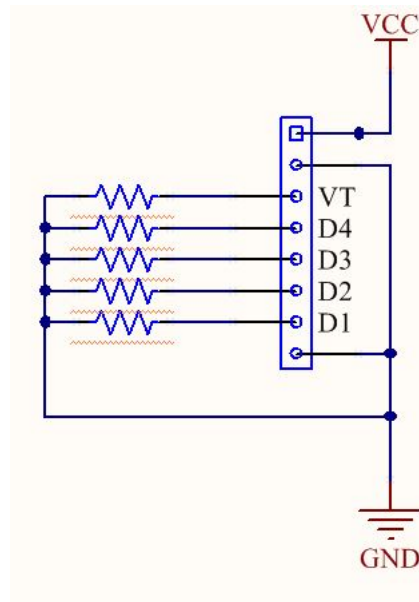
- Receiver PCB Power Requirements: 5 VDC
- Communication Interface: 433 MHz RF, via key chain remote
- Operating temperature: -4 to +158 °F (-20 to +70 °C)
- Receiver PCB dimensions: 1.34 x 0.96 in (3.40 x 2.44 cm)

### Application Ideas

- Keyless access
- Remote digital controller
- Wireless lighting control

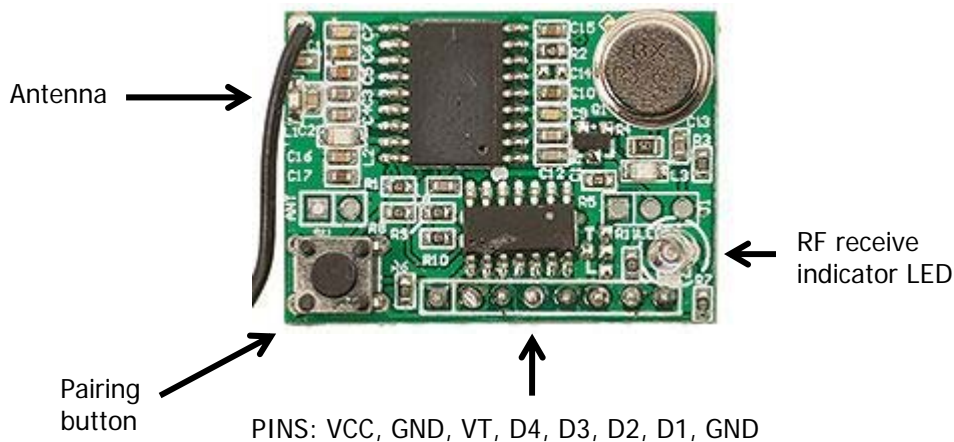
## Connection Diagram

The representation below shows a typical interface to the Key Fob Receiver Board. Resistors indicate your added devices (e.g. microcontroller I/O pin, relay, etc...).



## Receiver Board

The receiver board only needs 5 VDC on the VCC pin. Once it is powered up, you are ready to connect "VT" or any of the "D" pins to your project.



The Receiver Board has a pre-soldered antenna in "ANT2". You can uncoil the antenna to help increase the range. Maximum range is ~250 feet line-of-sight. To add even more range to the receiver you can add your own antenna to "ANT1" on the receiver board.

## Key Chain Remote

The Key Chain Remote has four buttons. The large buttons are labeled A and B; the smaller buttons are labeled C and D. The table below shows which pins on the Receiver Board that become active “high” (5 VDC @ 40 mA) when its corresponding button is pressed. When a button is released, its pin goes back to common ground, “low” state.



Key Chain Button	Receiver Board Pins
“A”	VT & D1
“B”	VT & D2
“C”	VT & D3
“D”	VT & D4

### Adding Additional Remotes

The Remote and Receiver PCB are pre-synchronized. You can synchronize the PCB with additional keychain remotes by pressing and holding down the PCB’s “pairing button” while pressing any of the buttons on the Remote want to add.

### Changing the Remote’s Battery

The remote uses one size 27A, 12 V alkaline battery. The remote comes with the battery pre-installed, and it may be replaced if needed. To access the battery compartment, remove the three tiny Phillips-head screws on the back of the remote, and remove the back cover.