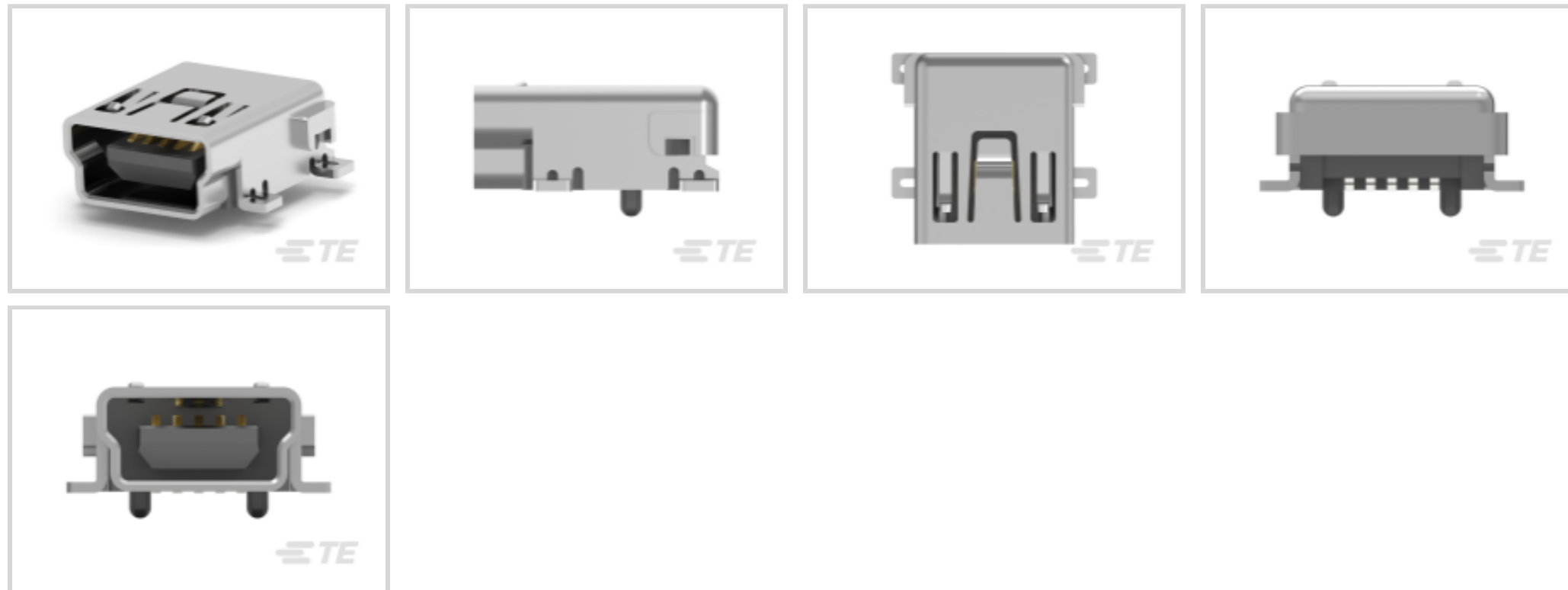




Connectors > Audio & Video Connectors > USB Connectors



USB Type: **B**

USB Version: **2.0**

Connector Profile: **Mini**

Connector & Housing Type: **Receptacle**

Number of Ports: **1**

Features

Product Type Features

Integral Locking Latch	Without
USB Type	B
USB Version	2.0
Connector & Housing Type	Receptacle
Connector System	Cable-to-Board
Connector & Contact Terminates To	Printed Circuit Board

Configuration Features

Number of Ports	1
Number of Positions	5

Body Features

Shell Plating Material	Nickel
Connector Profile	Mini

Contact Features

Contact Underplating Material	Palladium Nickel
Contact Mating Area Plating Material	Gold Flash

Contact Mating Area Plating Material Thickness	.76 μm [30 μin]
--	--

Contact Current Rating (Max)	1 A
------------------------------	-----

Termination Features

Termination Post & Tail Length	1.15 mm[.045 in]
--------------------------------	------------------

Termination Method to PCB	Surface Mount
---------------------------	---------------

Mechanical Attachment

Locking Feature	Without
-----------------	---------

PCB Mount Alignment Type	Locating Posts
--------------------------	----------------

PCB Mount Location	Top Mount
--------------------	-----------

PCB Connector Seating	Flush
-----------------------	-------

PCB Mount Retention Type	SMT Hold-Down
--------------------------	---------------

Connector Mounting Type	Board Mount
-------------------------	-------------

Housing Features

Housing Color	Black
---------------	-------

Housing Material	PA 9T GF
------------------	----------

Body Orientation	Right Angle
------------------	-------------

Centerline (Pitch)	.8 mm[.031 in]
--------------------	----------------

Dimensions

PCB Thickness (Recommended)	1.57 mm[.062 in]
-----------------------------	------------------

Usage Conditions

Soldering Temperature (Max)	260 $^{\circ}\text{C}$ [500 $^{\circ}\text{F}$]
-----------------------------	--

Mating Cycles (Max)	5000
---------------------	------

Operating Temperature Range	-40 – 85 $^{\circ}\text{C}$ [-40 – 185 $^{\circ}\text{F}$]
-----------------------------	---

Operation/Application

Halogen Free	No
--------------	----

Circuit Application	Power & Signal
---------------------	----------------

Industry Standards

UL Flammability Rating	UL 94V-0
------------------------	----------

Moisture Sensitivity Level	1
----------------------------	---

Packaging Features

Packaging Quantity	700
--------------------	-----

Packaging Method	Tape & Reel
------------------	-------------

Product Compliance

[For compliance documentation, visit the product page on TE.com>](#)

EU RoHS Directive 2011/65/EU	Compliant
EU ELV Directive 2000/53/EC	Out of Scope
China RoHS 2 Directive MIIT Order No 32, 2016	有害物质含量符合标准要求 No Restricted Substance(s) Above Threshold
EU REACH Regulation (EC) No. 1907/2006	Current ECHA Candidate List: JUNE 2025 (250) Candidate List Declared Against: JUNE 2025 (250) Does not contain REACH SVHC
Halogen Content	Not Low Halogen - contains Br or Cl > 900 ppm.
Solder Process Capability	Reflow solder capable to 245°C

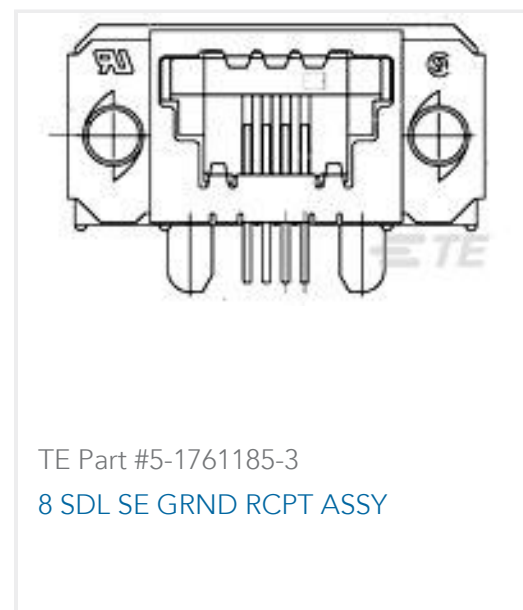
Product Compliance Disclaimer

This information is provided based on reasonable inquiry of our suppliers and represents our current actual knowledge based on the information they provided. This information is subject to change. The part numbers that TE has identified as EU RoHS compliant have a maximum concentration of 0.1% by weight in homogenous materials for lead, hexavalent chromium, mercury, PBB, PBDE, DBP, BBP, DEHP, DIBP, and 0.01% for cadmium, or qualify for an exemption to these limits as defined in the Annexes of Directive 2011/65/EU (RoHS2). Finished electrical and electronic equipment products will be CE marked as required by Directive 2011/65/EU. Components may not be CE marked. Additionally, the part numbers that TE has identified as EU ELV compliant have a maximum concentration of 0.1% by weight in homogenous materials for lead, hexavalent chromium, and mercury, and 0.01% for cadmium, or qualify for an exemption to these limits as defined in the Annexes of Directive 2000/53/EC (ELV). Regarding the REACH Regulation, the information TE provides on SVHC in articles for this part number is based on the latest European Chemicals Agency (ECHA) 'Guidance on requirements for substances in articles' posted at this URL: <https://echa.europa.eu/guidance-documents/guidance-on-reach>

Compatible Parts



Customers Also Bought



Documents

CAD Files

3D PDF

3D

Customer View Model

[ENG_CVM_CVM_2-1734035-2_F.2d_dxf.zip](#)

English

Customer View Model

[ENG_CVM_CVM_2-1734035-2_F.3d_igs.zip](#)

English

Customer View Model

[ENG_CVM_CVM_2-1734035-2_F.3d_stp.zip](#)

English

By downloading the CAD file I accept and agree to the [Terms and Conditions](#) of use.

Product Specifications

Crimping of AMP EI Series Connector Contacts

Japanese

Application Specification

Japanese

2-1734035-2

B, Mini USB, 2.0, Receptacle, 5 Position, Top Mount, 1 Port, Right Angle, Tape & Reel,
Flush, Surface Mount, Cable-to-Board

