

FEATURES

- Solenoid valves satisfy all relevant EC directives
- Heavy duty two way shut-off solenoid valves for control of air, inert gas, water, oil and other gases/liquids compatible with the sealing materials used
- Valves require a minimum ΔP

GENERAL

Differential pressure	0,7 to 100 bar [1 bar = 100 kPa]
Maximum viscosity	65 cSt (mm ² /s)
Response times	15 - 60 ms

fluids (*)	temperature range (TS)	sealings (*)
air, inert gas, water, oil	-20 to +90°C	PA (nylon) PTFE (teflon)

MATERIALS IN CONTACT WITH FLUID

(*) Ensure that the compatibility of the fluids in contact with the materials is verified

	Brass body	Stainless steel body
Body	Brass	AISI 303 SS
Core tube	Stainless steel	Stainless steel
Core and plugnut	Stainless steel	Stainless steel
Springs	Stainless steel	Stainless steel
Seat	Brass	Stainless steel
Core disc	UR (UR moulded)	UR (UR moulded)
Sealing	NBR (nitrile / buna-n)	NBR (nitrile / buna-n)
Piston	Stainless steel or PA	Stainless steel
Piston disc	PTFE or PA	PTFE
Piston rings	PTFE (carbon filled)	PTFE (carbon filled)
Shading coil	Copper	Silver

ELECTRICAL CHARACTERISTIC

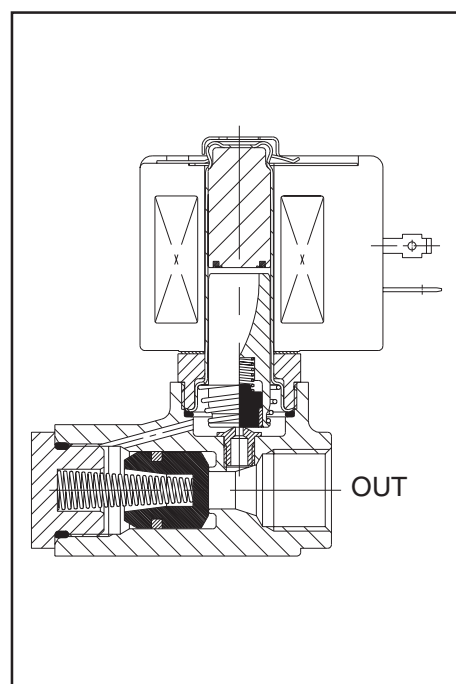
Coil insulation class	F
Connector	Spade plug (Pg 11P)
Connector specification	ISO 4400
Electrical safety	IEC 335
Standard voltages	DC (=) : 24V
(Other voltages and 60 Hz on request)	AC (~) : 24V - 115V - 230V / 50 Hz

coil type	power ratings			hot/cold = (W)	ambient temperature ranges (TS) (°C)	protection
	inrush ~ (VA)	holding ~ (VA)	(W)			
	CMXX-FT	55	23			
CMXX-FB	78	35	16,7	-	-20 to +50	moulded IP65
CMXX-FF	-	-	-	14 / 19,7	-20 to +25	moulded IP65

SPECIFICATIONS

pipe size	orifice size	flow coefficient Kv		operating pressure differential (bar)				coil type		catalogue number	OPTIONAL				
				min.	maximum (PS)		~				=	FPM	EPDM	CR	PTFE
					air/water/oil (*)	~									
NPT	(mm)	(m ³ /h)	(l/min)												
Brass body															
1/4	8	1,3	21,7	0,7	50	30	CMXX-FT	CMXX-FT	SC B223A121	V	E	J			
1/4	8	1,3	21,7	0,7	100	35	CMXX-FB	CMXX-FF	SC B223A125	V	E	J			
3/8	8	1,3	21,7	0,7	50	30	CMXX-FT	CMXX-FT	SC B223A123	V	E	J			
3/8	8	1,3	21,7	0,7	100	35	CMXX-FB	CMXX-FF	SC B223A127	V	E	J			
1/2	9	2,7	45,0	1,8	100	35	CMXX-FB	CMXX-FF	SC B223A103	V	E	J			
3/4	19	6,7	112	1,8	50	20	CMXX-FB	CMXX-FT	SC B223B005 (1)	V	E	J	T		
Stainless steel body															
1/2	9	2,7	45,0	1,8	100	35	CMXX-FB	CMXX-FF	SC B223A010	V	E	J			
3/4	19	6,7	112	1,8	50	20	CMXX-FB	CMXX-FT	SC B223A012	V	E	J			

(1) Nylon piston (PA).



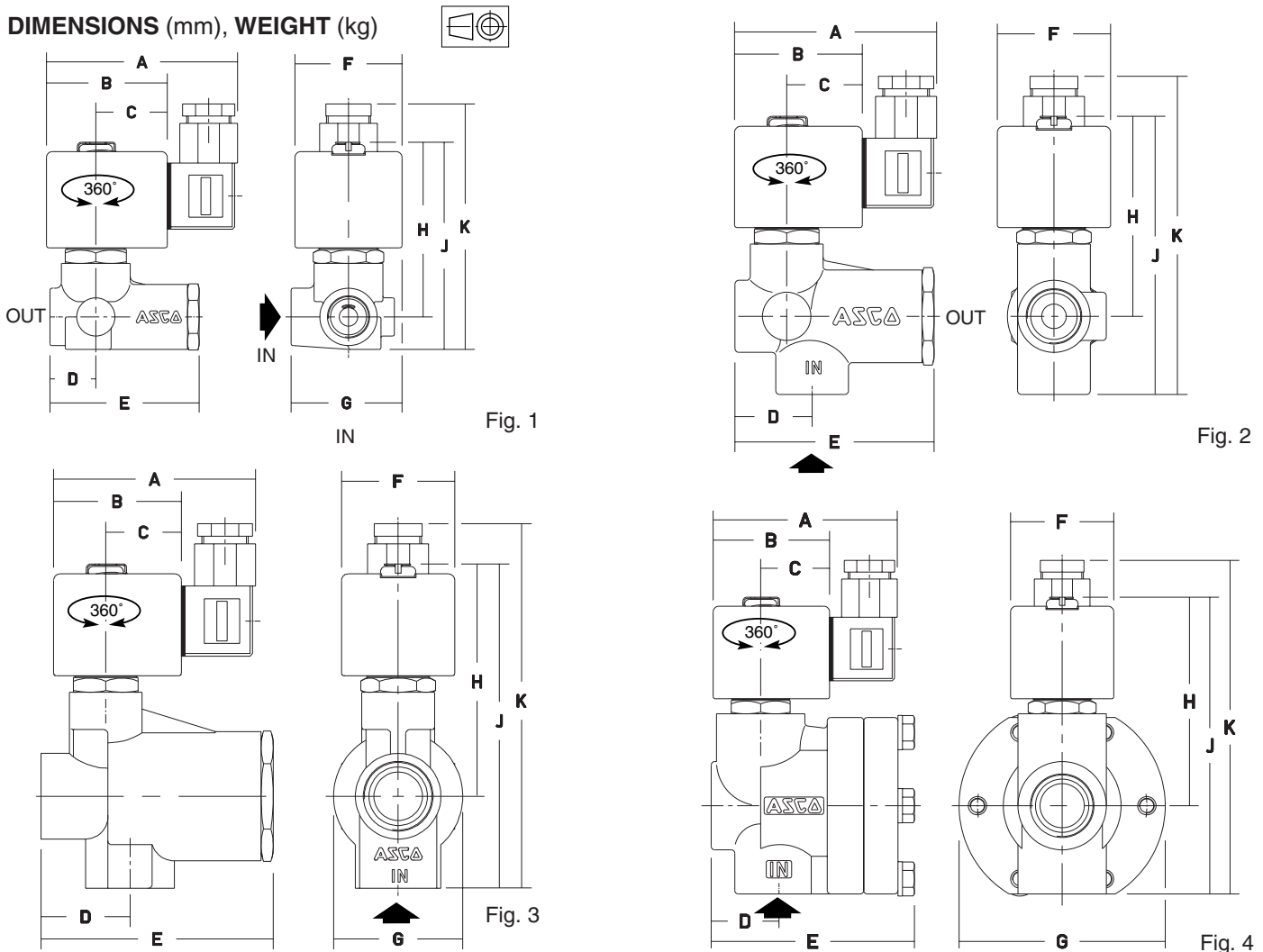
OPTIONS

- Valves can also be supplied with FPM (fluorelastomer / viton), EPDM (ethylene-propylene), PTFE (teflon) and CR (chloroprene / neoprene) sealings and discs. Use the appropriate optional suffix letter for identification
- Waterproof enclosure with embedded screw terminal coil and Pg 13,5 cable gland to meet CEE-10 (IP67)
- Flameproof enclosures for hazardous locations according to "CENELEC" and national standards (see section 10)
- Explosionproof and watertight enclosures according to "NEMA" standards (see section 10)
- Compliance with "UL" and "CSA" standards
- Low power execution, see X012 catalogue
- Plug with visual indication and/or with peak voltage suppression (see section 11)
- Normally Open constructions

INSTALLATION

- The valves can be mounted in any position without affecting operation
- Pipe connection identifier is: B = NPT (ANSI 1.20.3)
- The third digit in the catalogue number indicates the standard pipe connection
- Other pipe connections are available on request
- Installation/maintenance instructions are included with each valve
- Spare Parts Kit and replacement coils are available (see section 11)

DIMENSIONS (mm), WEIGHT (kg)



catalogue number SC B223	A	B	C	D	E	F	G	H	J	K	weight (1)	(C)
A121 - A125 - A123 - A127	80	50	30	20	65	45	46	72	86	103	0,7	fig. 1
A103 - A010	80	50	30	31	81	45	-	78	109	126	1,0	fig. 2
B005	80	50	30	34	91	45	50	91	127	144	1,5	fig. 3
A012	80	50	30	29	88	45	89	88	126	143	4,0	fig. 4

(1) incl. coil and connector (C) Construction type

All leaflets are available on: www.ascojoucomatic.com