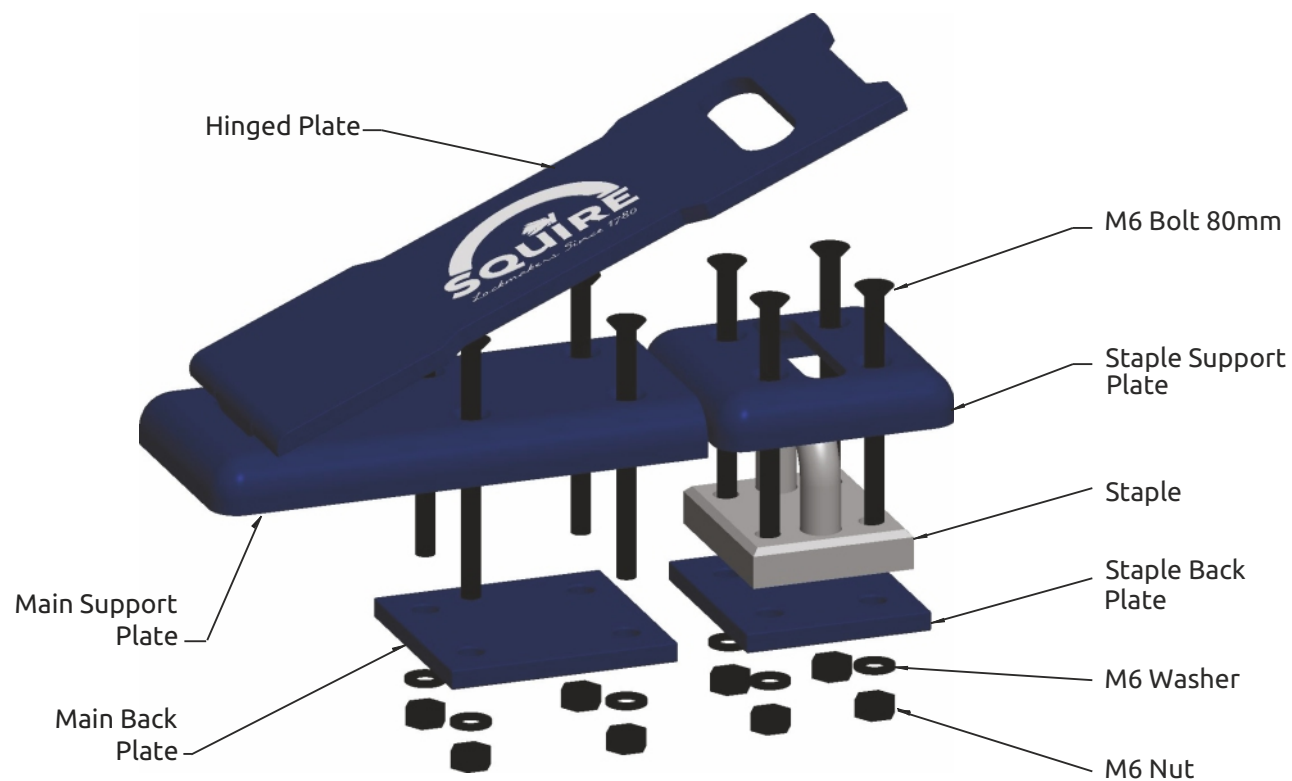




## STH3 Fitting Instructions

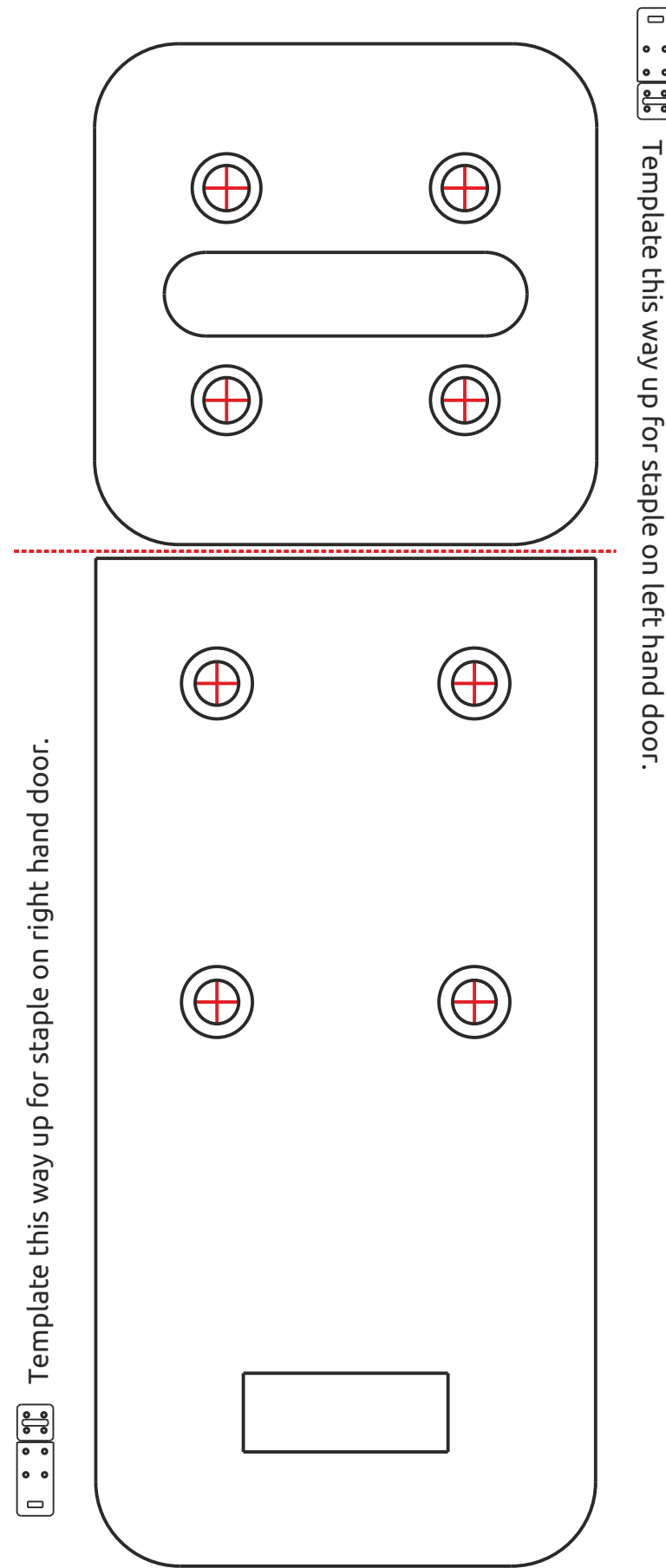


### Fitting Instructions

1. Cut out and attach the template provided to the door/gate in the position you wish the STH3 to be located making sure that the centreline lines up with the centre of the gap between the door/gate and the wall.
2. Drill 8 holes using a 6.5mm (or similar) drill bit.
3. Take the staple and pass it through the staple support plate, then line up the holes (on the staple side) and pass four bolts through.
4. On the other side of the wall slide the staple back plate onto the four bolts, put a washer on each bolt and then tighten the nut onto each bolt.
5. Repeat steps 3/4 using the Main Support Plate and Main Back Plate.



### Drill Template



Henry Squire & Sons Limited

Hilton Cross Business Park, Cannock Road, Featherstone, Wolverhampton, WV10 7QZ

Tel: 01902 308050 Fax: 01902 308051 E-Mail: info@henry-squire.co.uk Website: www.squirelocks.co.uk