

## Fuse Holders: SAFECIP

BS 88-1 and 6:1988  
IEC 269-1

-  **Total safety**
-  **Complete**
-  **Important time-saving features**
-  **High quality**
-  **Great design**

### Applications



### Approvals

**ASTA Certified** 

### Application Notes

**Protection of personnel**  
SAFECLIP Fuse Holders are fully shrouded for personnel safety and complete compliance with the direct contact electric shock requirements of the IEE Wiring Regulations (BS 7671:1992).

### Associated Fusegear Equipment

- SAFECIP Fusebanks
- SAFECIP Fuseboards

### Associated Fuse Links

- SAFECIP
- Contact the sales office for catalogues


### Technical Data

<b>Current Rating</b>	(A) 20-125
<b>Voltage Rating ac</b>	(V) up to 550
<b>Breaking Capacity ac</b>	(kA) 80
<b>Max Operating Ambient Temperature</b>	(°C) 40
<b>Cable Connector Size</b>	(mm <sup>2</sup> ) 16-70

### Performance


ASTA type test certified to BS 88: Parts 1 and 6 suitable for use on applications up to 550Vac.

### Features

**Fully shrouded for personal safety**  
Separate base contact insulating shrouds ensure that no 'live' metal is dangerously exposed when the fuse carrier is removed – this enables an out-going circuit to be cabled with complete safety to personnel and with continuity of supply to other circuits. 


**Most comprehensive range**


- 20, 32, 63, 100 and 125 Amp ratings
- front, back stud and half front/back stud connection variants
- also available busbar/front connection in 20, 32 and 63 Amp
- standard black finish, available colours include white, green and grey.




**Ease of installation**




- unique clip-action terminal shrouds
- integral DIN-rail mounting feature on 32, 63 and 125 Amp
- accommodates the clip-in SAFECIP HRC Fuse Link
- provides economies in cost, size and installation time.







**High resistance material**  
Strength and long life assured in fuse carriers moulded from tough, flame retardant material. 

**Time proven contact system**  
Lower contact resistance and watts loss achieved by self-cleaning, self-aligning base contacts with stainless steel contact reinforcing stirrups. 

**SAFECLIP – 20 Amp**

	Part number	Code	Colour	Maximum cable size	Fuse Link accommodated
 <p>Front connected</p>	SC20H	402246	Black	16mm <sup>2</sup>	SS
	SC20HWH	402249	White	16mm <sup>2</sup>	SS
	SC20HGN	402248	Green	16mm <sup>2</sup>	SS
 <p>Back stud connected</p>	SC20P	402250	Black	16mm <sup>2</sup>	SS
	SC20PWH	402252	White	16mm <sup>2</sup>	SS
	SC20PGN	402251	Green	16mm <sup>2</sup>	SS
 <p>Busbar / Front connected</p>	SC20BH	402245	Black	16mm <sup>2</sup>	SS

**SAFECLIP – 32 Amp**

	Part number	Code	Colour	Maximum cable size	Fuse Link accommodated
 <p>Front connected</p>	SC32H-D	402254	Black	16mm <sup>2</sup>	NS
	SC32H-DWH	402256	White	16mm <sup>2</sup>	NS
	SC32H-DGN	402255	Green	16mm <sup>2</sup>	NS
 <p>Back stud connected</p>	SC32P	402258	Black	16mm <sup>2</sup>	NS
	SC32PWH	402260	White	16mm <sup>2</sup>	NS
	SC32PGN	402259	Green	16mm <sup>2</sup>	NS
 <p>Busbar / Front connected</p>	SC32BH	402253	Black	16mm <sup>2</sup>	NS
 <p>Front / Back stud connected</p>	SC32PH-D	402261	Black	16mm <sup>2</sup>	NS
	SC32PH-DWH	402262	White	16mm <sup>2</sup>	NS



**SAFECLIP – 63 Amp**



Front connected

Part number	Code	Colour	Maximum cable size	Fuse Link accommodated
SC63H-D	402265	Black	25mm <sup>2</sup>	ES
SC63H-DWH	402266	White	25mm <sup>2</sup>	ES



Back stud connected

Part number	Code	Colour	Maximum cable size	Fuse Link accommodated
SC63P	402268	Black	25mm <sup>2</sup>	ES



Busbar / Front connected

Part number	Code	Colour	Maximum cable size	Fuse Link accommodated
SC63BH	402263	Black	25mm <sup>2</sup>	ES

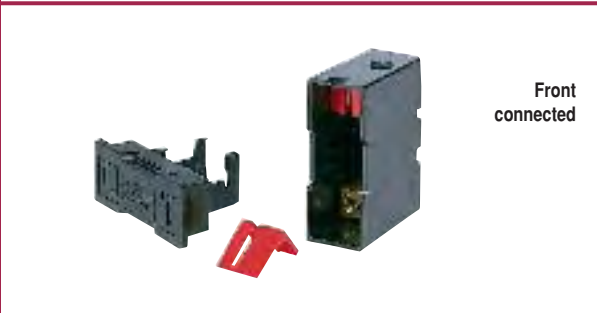
**SAFECLIP – 100 Amp**



Front connected

Part number	Code	Colour	Maximum cable size	Fuse Link accommodated
SC100H	402243	Black	50mm <sup>2</sup>	OS

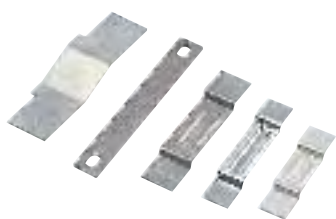
**SAFECLIP – 125 Amp**



Front connected

Part number	Code	Colour	Maximum cable size	Fuse Link accommodated
SC125H-D	402244	Black	70mm <sup>2</sup>	XS

### Accessories – SAFECLIP Copper Links



Part number	Code	Current rating	For use in
SSC-LINK	402271	20 Amp	SC20
NSC-LINK	402241	32 Amp	SC32
ESC-LINK	402240	63 Amp	SC63
OSC-LINK	402242	100 Amp	SC100
XSC-LINK	402272	125 Amp	SC125

### Accessories – SAFECLIP Padlockable Inserts



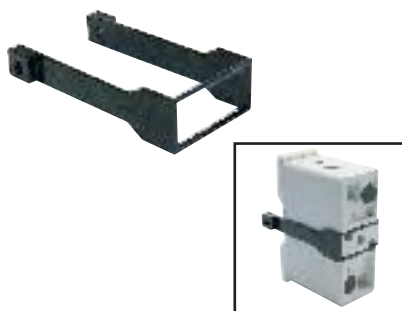
Part number	Code	For use in	Suitable padlocks (not supplied)
SC32LOCK	402257	SC32	YALE (P72) and SQUIRE (LP6, LN1 or No 20)
SC63LOCK	402267	SC63	

### Accessories – SAFECLIP Adaptor Carrier



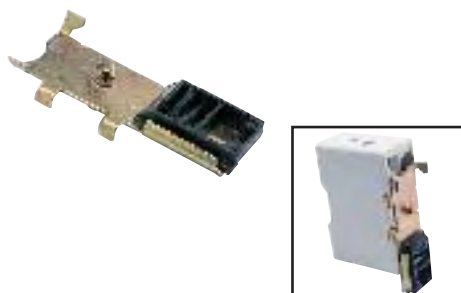
Part number	Code	For use with Fuse Link type	For use in
SCA63CAR	402269	NS	SC63

### Accessories – SAFECLIP Sealing Band



Part number	Code	For use with
SCSB20/32	402270	SC20 and SC32

### Accessories – SAFECLIP DIN-rail Adaptor



Part number	Code	For use with
DIN-20/32	402238	SC20 and RS20

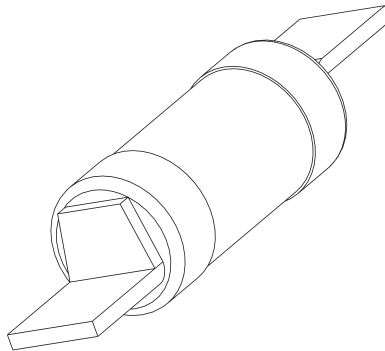
Note : SC32H-D, SC63H-D and SC125H-D have an integral DIN-rail feature as standard.

## Fuse Link Selection

### HRC Fuse Links Accommodated – Selection Chart

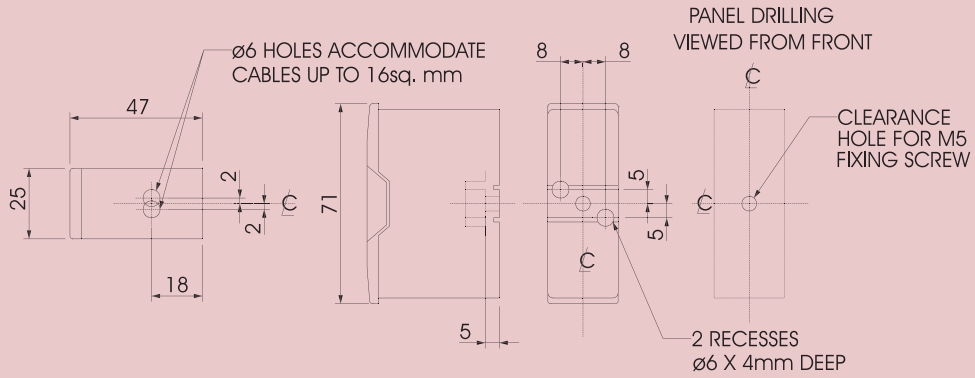
Fuse Holder Rating	SAFECLIP HRC Fuse Links rated up to 440 Volt ac	Extended range of SAFECLIP for motor circuit protection		
		Part number	Current rating Amp	Rating for Motor Starting Amp
<b>20</b>	SS 2 – 20			
<b>32</b>	NS 2 – 32	NS32M40	32	40
<b>63</b>	ES 40 – 63 NS 2 – 32 *	ES63M80	63	80
<b>100</b>	OS 80 & 100 TIS 35 – 63 TIA 2 – 32	OS100M125 OS100M160	100 100	125 160
<b>125</b>	XS 2 – 125			

\* adaptor carrier required Part number SCA63CAR

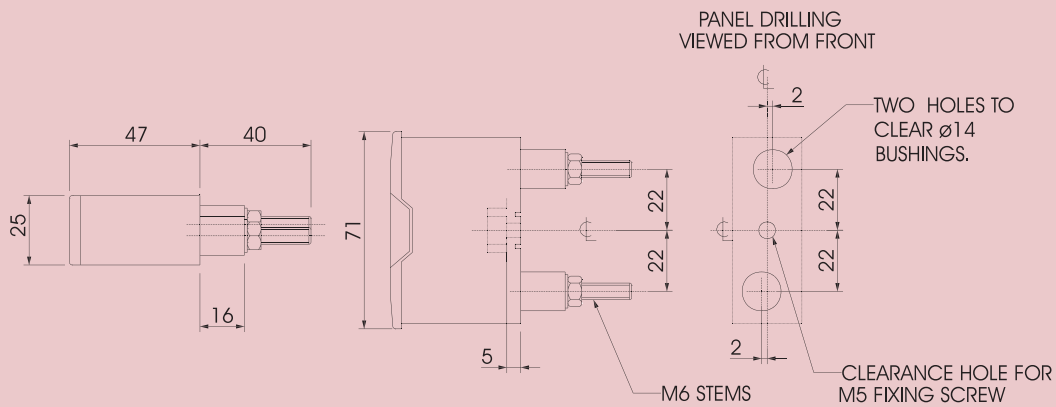


# Outline Dimensions

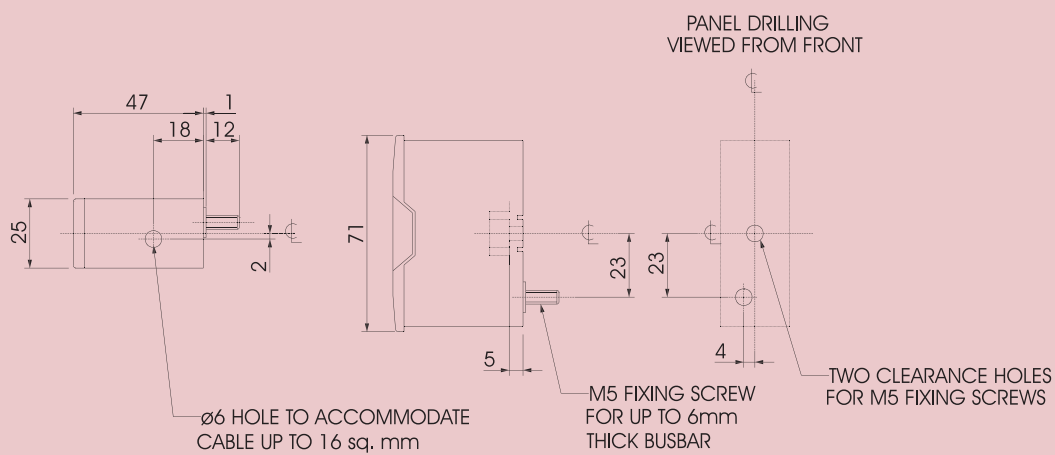
## SAFECLIP Fuse Holders – 20 Amp front connected



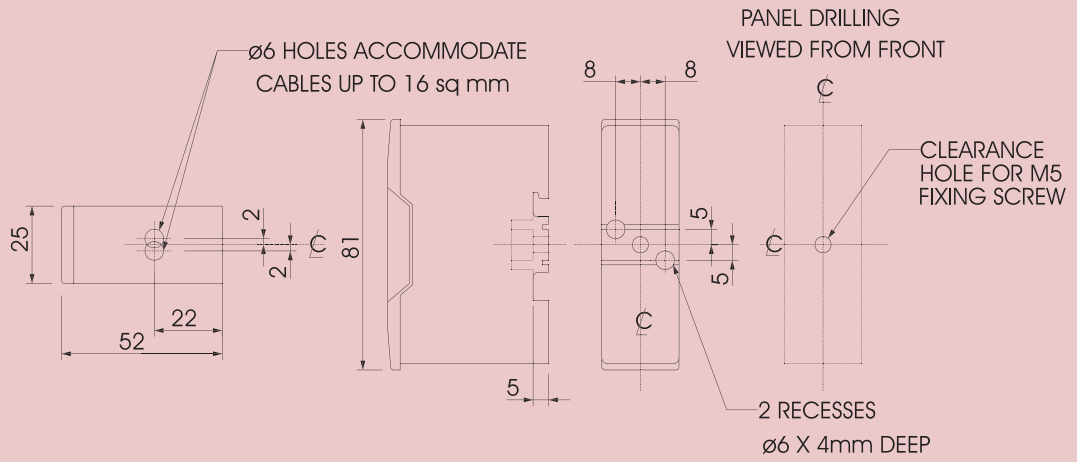
## SAFECLIP Fuse Holders – 20 Amp back stud connected



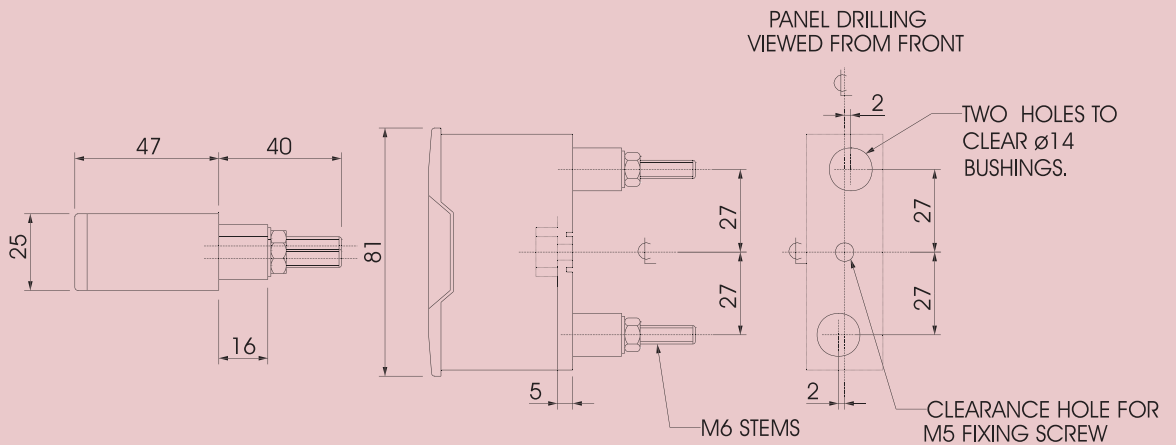
## SAFECLIP Fuse Holders – 20 Amp busbar / front connected



**SAFECLIP Fuse Holders – 32 Amp front connected**



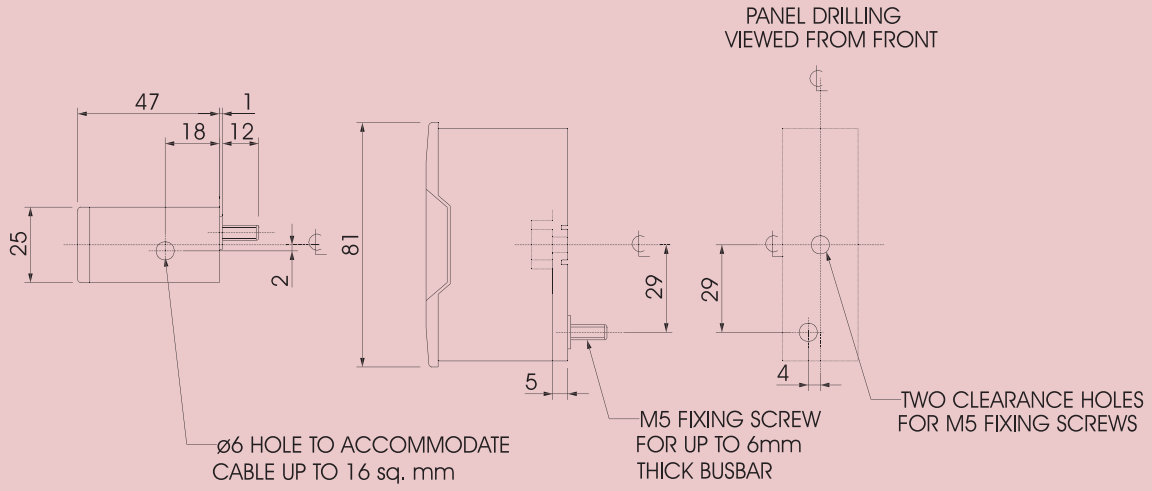
**SAFECLIP Fuse Holders – 32 Amp back stud connected**



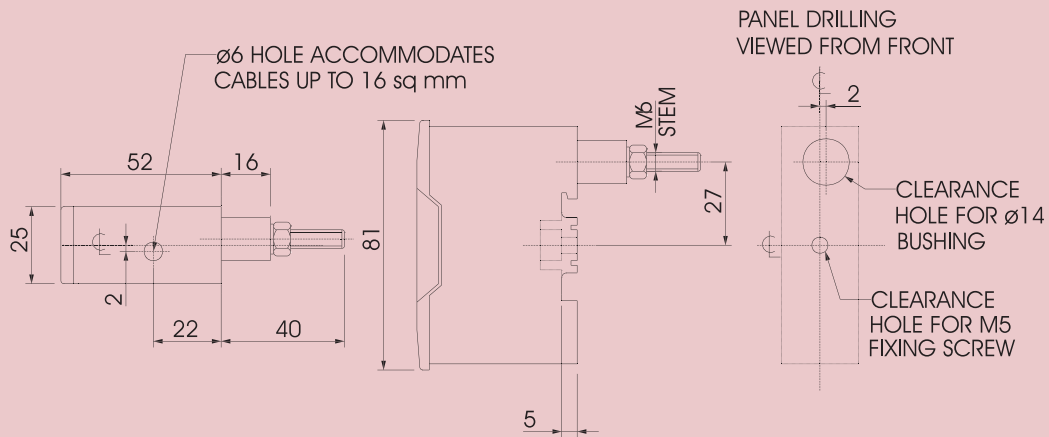
SAFECLIP

B

**SAFECLIP Fuse Holders – 32 Amp busbar / front connected**

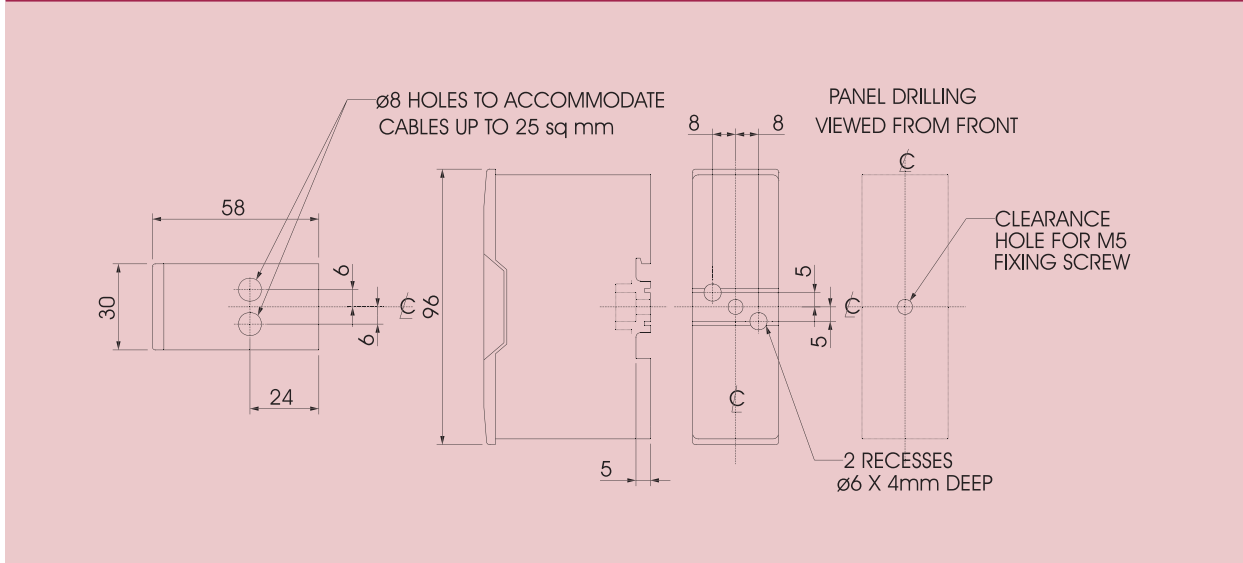


**SAFECLIP Fuse Holders – 32 Amp front / back stud connected**

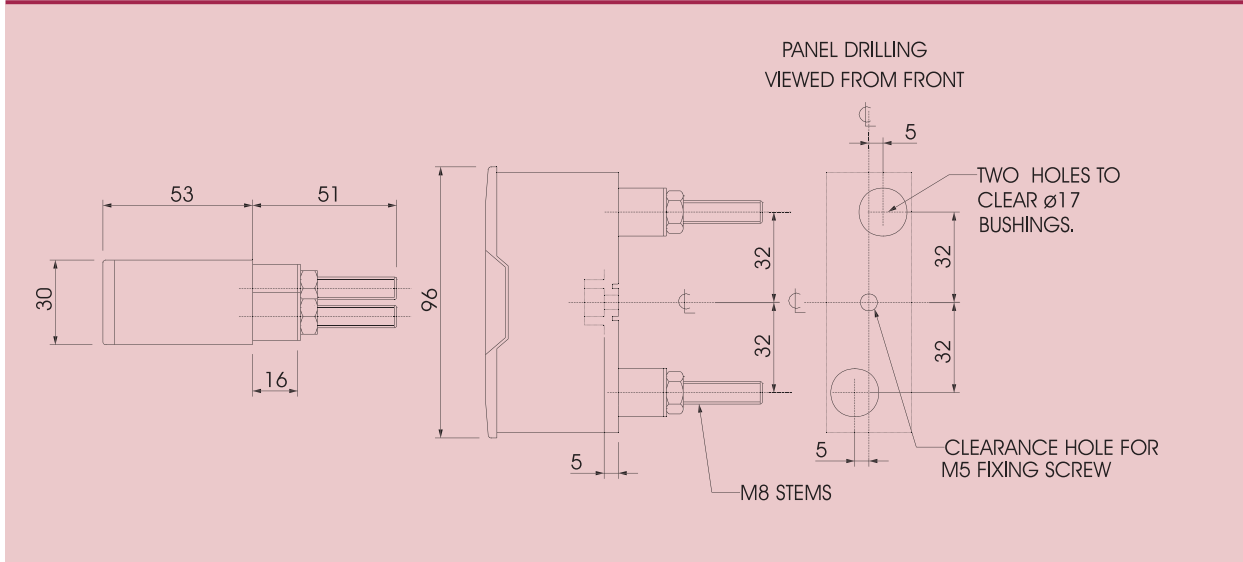




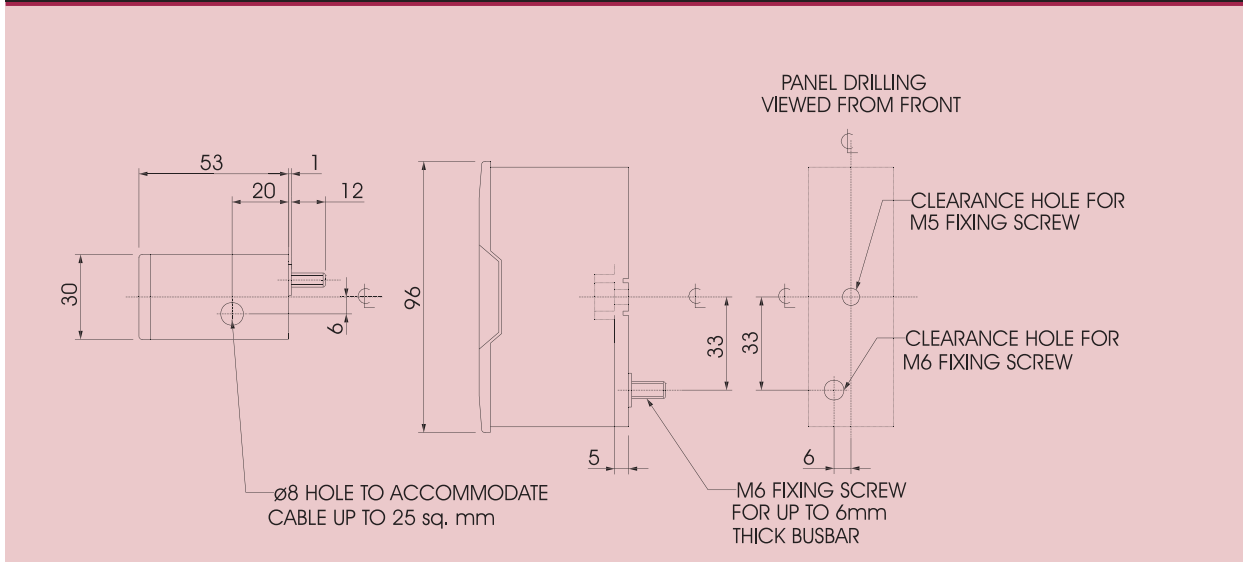
**SAFECLIP Fuse Holders – 63 Amp front connected**



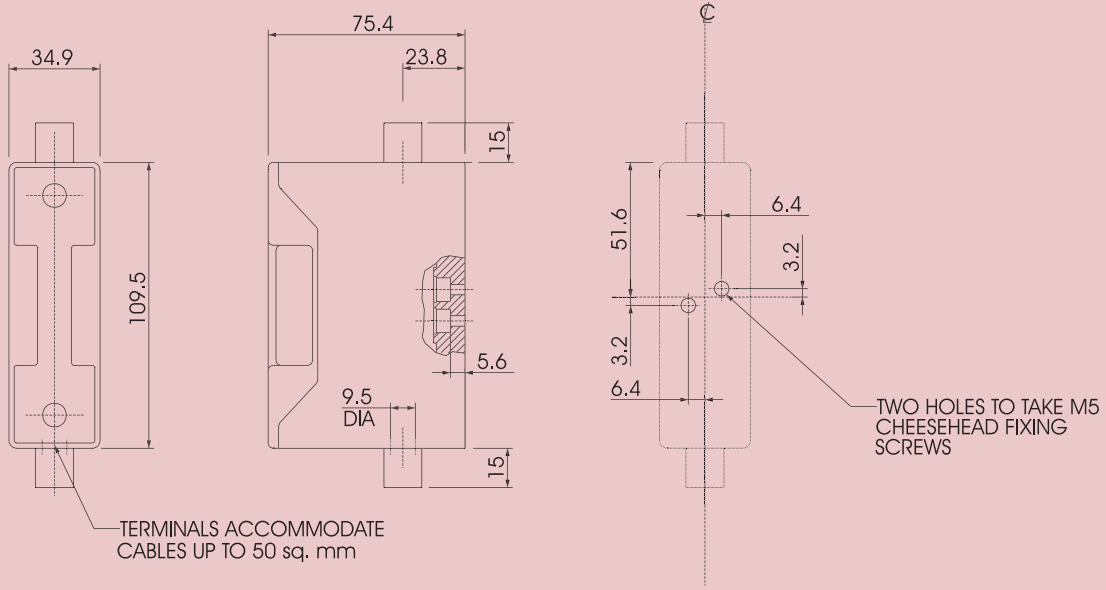
**SAFECLIP Fuse Holders – 63 Amp back stud connected**



**SAFECLIP Fuse Holders – 63 Amp busbar / front connected**



**SAFECLIP Fuse Holders – 100 Amp front connected**



**SAFECLIP Fuse Holders – 125 Amp front connected**

