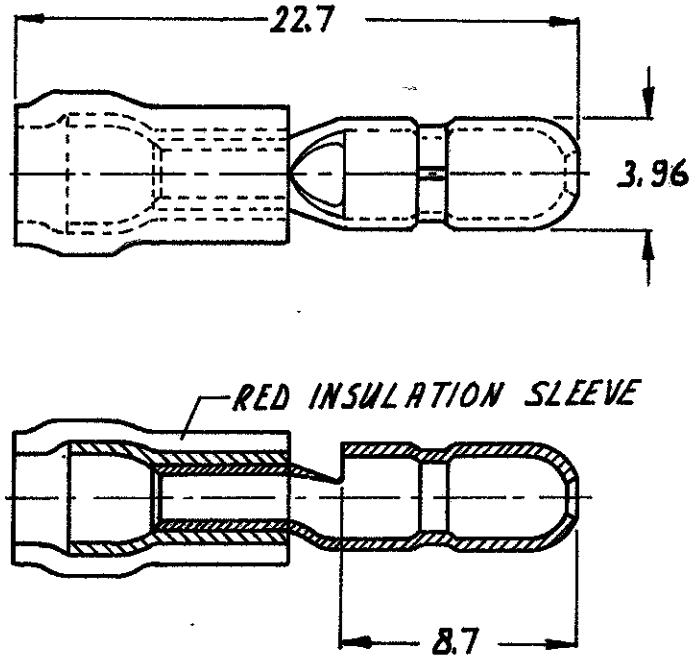



NUMBER C-165590



*To be crimped with a SUPERCHAMP hand tool only.*

*MATERIAL THICKNESS : 0.4*

DIMENSIONS IN M.M. DO NOT SCALE PRINT

CUSTOMER COPY FOR REFERENCE ONLY					
©1980 BY AMP-HOLLAND N.V. ALL RIGHTS RESERVED A-MP PRODUCTS COVERED BY PATENTS AND/OR PATENTS PENDING.					 AMP - HOLLAND N.V. 's-Hertogenbosch
WIRE-RANGE	INSUL.-RANGE	FIRST USED			
0.25-1.6 mm <sup>2</sup>	3.5 MAX.				
ORDER NO.	MATERIAL	PLATING	SCALE	SIZE	NO
165590-1	BRASS	TIN	#	A	C-165590
DR	R.V.H.	DATE	DE	DATE	REV
CHK	M/S	DATE	APP	DATE	A
NAME					
SHUR PLUG 3.96 mm. DIA.					