

REVISIONS					
P	LTR	DESCRIPTION	DATE	DWN	APVD
	A	ECN-25-358921;GTP	12DEC2025	TP	WILL

NOTES:

ALL DIMENSIONS ARE NOMINAL FOR REFERENCE ONLY UNLESS OTHERWISE STATED.

RoHS: COMPLIANT.

SPECIFICATIONS:
IMPEDANCE: 75Ω

FREQUENCY: DC TO 12GHz

VSWR/RL: 1.065 MAX. / 30 dB MIN.@DC~6GHz
1.222 MAX. / 20 dB MIN.@6~12GHz

INSERTION LOSS: 0.2 dB MAX.

CONTACT RESISTANCE:
CENTER: 3.0 MΩ MAX.
OUTER: 2.0 MΩ MAX.

VOLTAGE RATING: 500 VRMS MAX

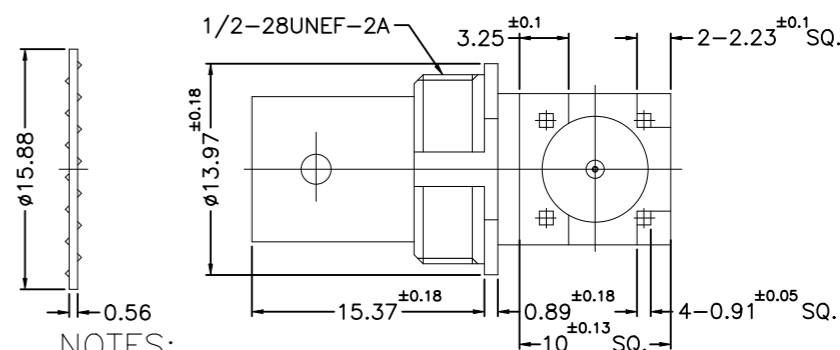
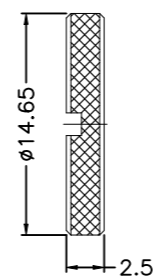
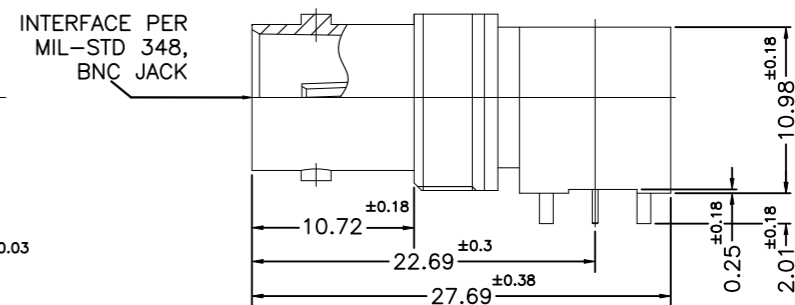
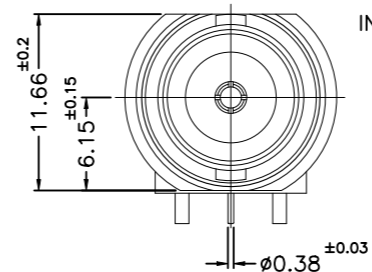
DIELECTRIC WITHSTANDING VOLTAGE: 1500V MAX

INSULATION RESISTANCE: 5000MΩ

MECHANICAL CHARACTERISTICS
DURABILITY: 500 CYCLES.

ENGAGEMENT AND DISENGAGEMENT FORCE:
ENGAGEMENT: 2.5 in-lbs MAX.
DISENGAGEMENT: 3 lbs MAX.

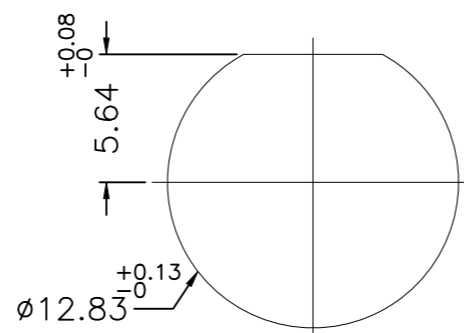
ENVIRONMENTAL PARAMETER
TEMPERATURE RANGE: -65°C TO +165°C



NOTES:

FINISH (PLATING THICKNESS IN MICRO-INCHES)

- 100 MICROINCHES MIN NICKEL PLATED.
50 MICROINCHES MIN OVER COPPER UNDERPLATED
- 3 MICROINCHES MIN GOLD PLATED,
100 MICROINCHES MIN OVER NI-P (WT%10) NICKEL UNDERPLATED.
- 30 MICROINCHES MIN GOLD PLATED,
100 MICROINCHES MIN OVER NICKEL UNDERPLATED.
- 100 MICROINCHES MATTE TIN PLATED,
80 MICROINCHES MIN OVER NICKEL UNDERPLATED.
50 MICROINCHES MIN OVER COPPER UNDERPLATED.

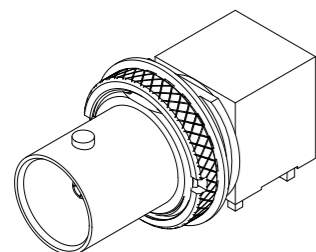


RECOMMENDED MOUNTING HOLE
MAX. PANEL THICKNESS=1.5mm

QTY	NOTE	QTY	NOTE	MATERIAL	DESCRIPTION	ITEM
1	NOTE 1	1	NOTE 1	BRASS	HEX NUT	9
1	NOTE 1	1	NOTE 1	BRASS	LOCK WASHER	8
1	NOTE 1	1	NOTE 1	BRASS	COVER	7
1	NOTE 3	1	NOTE 2	BRASS	CONTACT PIN	6
1	NATURAL	1	NATURAL	PTFE	INSULATOR	5
1	NOTE 4	1	NOTE 4	BRASS	HOUSING	4
1	NOTE 3	1	NOTE 2	BERYLLIUM COPPER	CONTACT PIN	3
1	NATURAL	1	NATURAL	PTFE	INSULATOR	2
1	NOTE 1	1	NOTE 1	BRASS	BODY	1
2510946-2	FINISH/ PLATING	2510946-1	FINISH/ PLATING	MATERIAL	DESCRIPTION	ITEM

QUANTITY PER ASSY

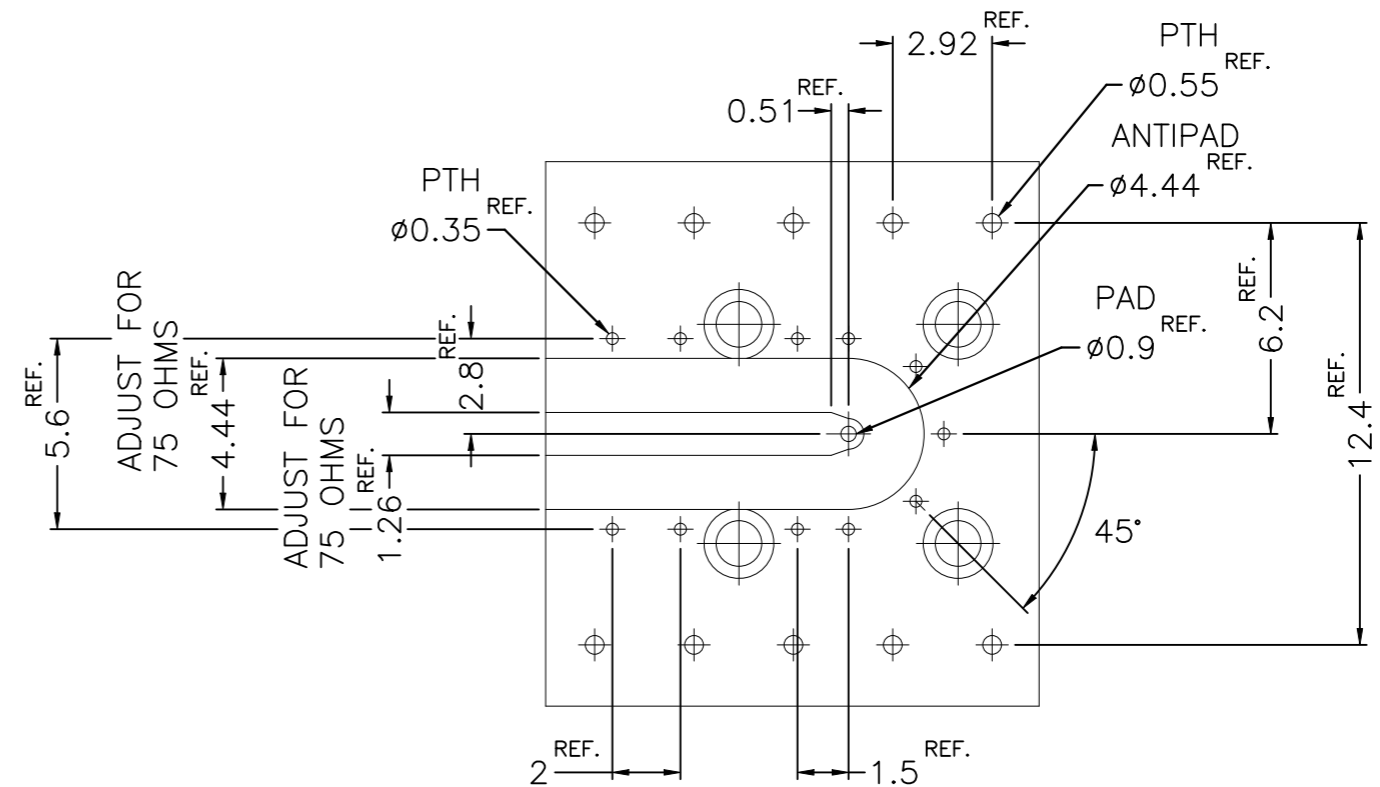
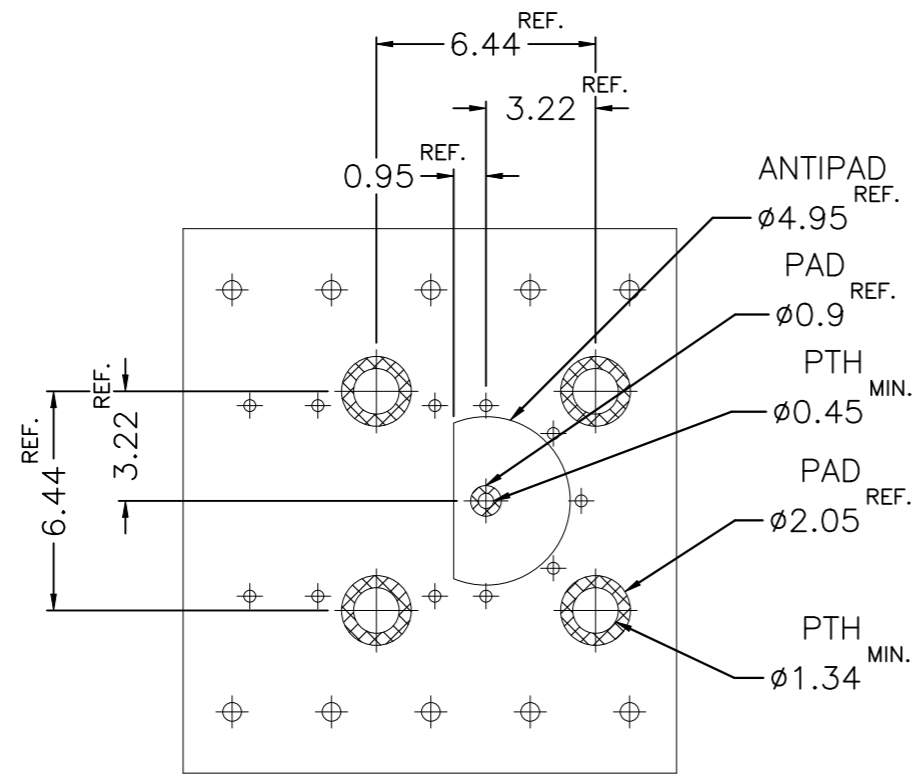
PARTS LIST



THIS DRAWING IS A CONTROLLED DOCUMENT.		DWN	31JUL2025	TE Connectivity Ltd.		
		TP				
		CHK	31JUL2025			
		TP				
		APVD	31JUL2025	NAME		
		WILL		12G SDI 75 ohm BNC Jack RA BHD Thru Hole		
DIMENSIONS: mm		TOLERANCES UNLESS OTHERWISE SPECIFIED:		PRODUCT SPEC		
		0 PLC	± 0.3	APPLICATION SPEC		
		1 PLC	± 0.2	SIZE		
		2 PLC	± 0.1	CAGE CODE		
		3 PLC	± 0.05	DRAWING NO		
		4 PLC	± -	RESTRICTED TO		
		ANGLES	± 1	WEIGHT		
MATERIAL		FINISH		A300779		
SEE TABLE		-		C-2510946		
CUSTOMER DRAWING				SCALE	1:1	SHEET
				1 OF 3		REV
						A

REVISIONS


P	LTR	DESCRIPTION	DATE	DWN	APVD
-	-	SEE SHEET 1	-	-	-



TOP VIEW

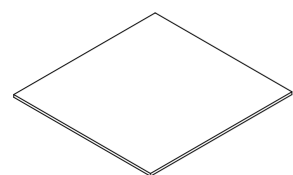
BOTTOM VIEW

RECOMMENDED PCB LAYOUT (THICKNESS 1.6/.063)

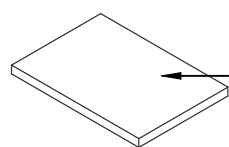
THIS DRAWING IS A CONTROLLED DOCUMENT.		DWN TP 31JUL2025	 TE Connectivity Ltd.																				
DIMENSIONS: mm		CHK TP 31JUL2025																					
TOLERANCES UNLESS OTHERWISE SPECIFIED:		APVD WILL 31JUL2025	NAME 12G SDI 75 ohm BNC Jack RA BHD Thru Hole																				
<table border="1"> <tr><td>0 PLC</td><td>\pm</td><td>-</td></tr> <tr><td>1 PLC</td><td>\pm</td><td>-</td></tr> <tr><td>2 PLC</td><td>\pm</td><td>-</td></tr> <tr><td>3 PLC</td><td>\pm</td><td>-</td></tr> <tr><td>4 PLC</td><td>\pm</td><td>-</td></tr> <tr><td>ANGLES</td><td>\pm</td><td>-</td></tr> </table>		0 PLC	\pm	-	1 PLC	\pm	-	2 PLC	\pm	-	3 PLC	\pm	-	4 PLC	\pm	-	ANGLES	\pm	-	PRODUCT SPEC -	RESTRICTED TO -		
0 PLC	\pm	-																					
1 PLC	\pm	-																					
2 PLC	\pm	-																					
3 PLC	\pm	-																					
4 PLC	\pm	-																					
ANGLES	\pm	-																					
MATERIAL -		APPLICATION SPEC -	SIZE A3	CAGE CODE 00779	DRAWING NO C-2510946																		
FINISH -		WEIGHT -	CUSTOMER DRAWING		SCALE 1:1																		
		SHEET 2 OF 3		REV A																			

REVISIONS

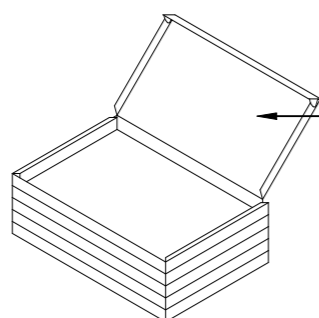
P	LTR	DESCRIPTION	DATE	DWN	APVD
-	-	SEE SHEET 1	-	-	-



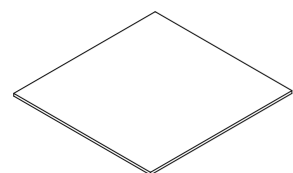
Place a cardboard on the top of the boxes.



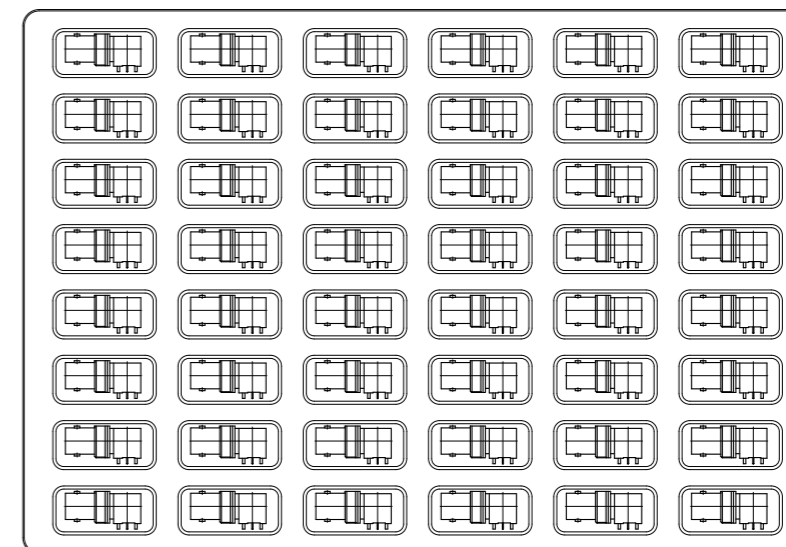
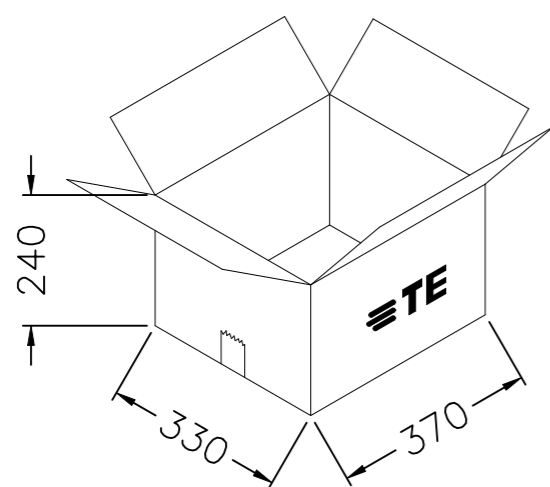
Pack 48 pcs per tray.



There is 1 tray per inner box, total of 5 inner boxes.



Place a cardboard on the bottom of the boxes.



NOTE: 1. 48 pcs / Tray, 1 tray = 1 inner box
2. 5 inner box = 240 pcs

THIS DRAWING IS A CONTROLLED DOCUMENT.		DWN TP	31JUL2025	TE Connectivity Ltd.	
DIMENSIONS: mm		CHK TP	31JUL2025		
		APVD WILL	31JUL2025		
TOLERANCES UNLESS OTHERWISE SPECIFIED:		NAME		12G SDI 75 ohm BNC Jack RA BHD Thru Hole	
0 PLC ± 0.3		PRODUCT SPEC		-	
1 PLC ± 0.2		APPLICATION SPEC		-	
2 PLC ± 0.1		SIZE	A3	CAGE CODE	00779
3 PLC ± 0.05		DRAWING NO	G=2510946		RESTRICTED TO
4 PLC ± -		WEIGHT	-		-
ANGLES ± 1		CUSTOMER DRAWING			
MATERIAL SEE TABLE		SCALE		1:1	SHEET 3 of 3
FINISH -		REV		A	