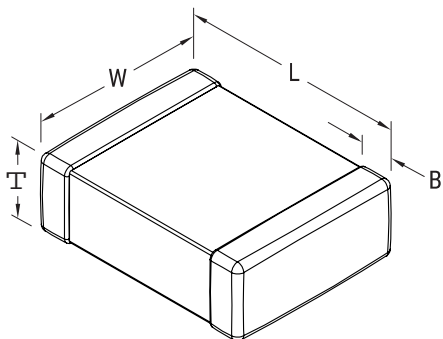


KEMET Part Number: LDEPD1220KA5N00
(DEPD1220KA5N00)

LDE, Film, Metallized PEN Stacked, Automotive Grade, 2200 pF, 10%, 200 VAC, 630 VDC, 125°C, 2220, 2mm



General Information

Supplier:	KEMET
Series:	LDE
Dielectric:	Metallized PEN Stacked
Style:	SMD Chip
Features:	Automotive Grade
RoHS:	Yes
Qualifications:	AEC-Q200
AEC-Q200:	Yes
Shelf Life:	104 Weeks
MSL:	2

Dimensions

Chip Size	2220
L	6mm +/-0.3mm
W	5mm +/-0.4mm
T	2mm MAX
B	0.5mm +/-0.5/-0.3mm

Specifications

Capacitance:	2200 pF
Capacitance Tolerance:	10%
Voltage AC:	200 VAC
Voltage DC:	630 VDC
Temperature Range:	-55/+125C
Rated Temperature:	125°C
Dissipation Factor:	0.80% 1kHz
Insulation Resistance:	1 GOhms
Max dV/dt:	100 V/us

Packaging Specifications

Packaging:	T&R
Packaging Quantity:	3000

Statements of suitability for certain applications are based on our knowledge of typical operating conditions for such applications, but are not intended to constitute - and we specifically disclaim - any warranty concerning suitability for a specific customer application or use. This Information is intended for use only by customers who have the requisite experience and capability to determine the correct products for their application. Any technical advice inferred from this Information or otherwise provided by us with reference to the use of our products is given gratis, and we assume no obligation or liability for the advice given or results obtained.