

# DS1644/DS1644P Nonvolatile Timekeeping RAM

www.maxim-ic.com

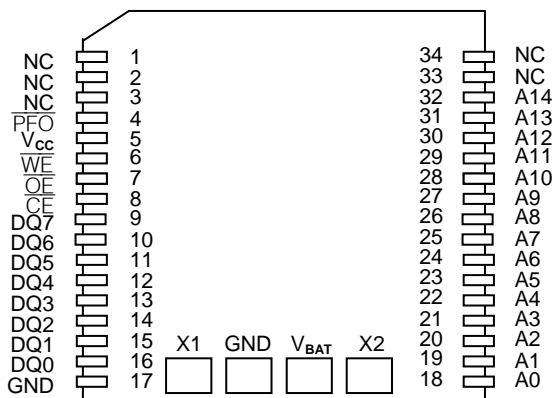
## FEATURES

- Integrated NV SRAM, Real-Time Clock, Crystal, Power-Fail Control Circuit and Lithium Energy Source
- Clock Registers are Accessed Identically to the Static RAM. These Registers are Resident in the Eight Top RAM Locations.
- Totally Nonvolatile with Over 10 Years of Operation in the Absence of Power
- BCD-Coded Year, Month, Date, Day, Hours, Minutes, and Seconds with Leap Year Compensation Valid Up to 2100
- Power-Fail Write Protection Allows for  $\pm 10\%$   $V_{CC}$  Power Supply Tolerance
- DS1644 Only (DIP Module)
  - Upward Compatible with the DS1643 Timekeeping RAM to Achieve Higher RAM Density
  - Standard JEDEC Byte-wide 32k x 8 Static RAM Pinout
- DS1644P Only (PowerCap Module Board)
  - Surface Mountable Package for Direct Connection to PowerCap Containing Battery and crystal
  - Replaceable Battery (PowerCap)
  - Power-Fail Output
  - Pin-for-Pin Compatible with Other Densities of DS164XP Timekeeping RAM
  - Underwriters Laboratory (UL) Recognized

## PIN CONFIGURATIONS

A14	1	28	$V_{CC}$
A12	2	27	$\overline{WE}$
A7	3	26	A13
A6	4	25	A8
A5	5	24	A9
A4	6	23	A11
A3	7	22	$\overline{OE}$
A2	8	21	A10
A1	9	20	$\overline{CE}$
A0	10	19	DQ7
DQ0	11	18	DQ6
DQ1	12	17	DQ5
DQ2	13	16	DQ4
DQ3	14	15	DQ3

28-Pin Encapsulated Package  
(720-mil Extended)



34-Pin PowerCap Module Board  
(Uses DS9034PCX PowerCap)

## ORDERING INFORMATION

PART	VOLTAGE (V)	TEMP RANGE	PIN-PACKAGE	TOP MARK
DS1644-120+	5.0	0°C to +70°C	32 EDIP (0.740a)	DS1644+120
DS1644P-120+	5.0	0°C to +70°C	34 PowerCap*	DS1644P+120

\*DS9034-PCX, DS9034I-PCX, DS9034-PCX+ required (must be ordered separately).

+Denotes a lead(Pb)-free/RoHS-compliant package. The top mark includes a "+" symbol on lead(Pb)-free devices.

## PIN DESCRIPTION

PIN		NAME	FUNCTION
PDIP	PowerCap		
1	32	A14	Address Input
2	30	A12	
3	25	A7	
4	24	A6	
5	23	A5	
6	22	A4	
7	21	A3	
8	20	A2	
9	19	A1	
10	18	A0	
11	16	DQ0	Data Input/Output
12	15	DQ1	
13	14	DQ2	
14	17	GND	Ground
15	13	DQ3	Data Input/Output
16	12	DQ4	
17	11	DQ5	
18	10	DQ6	
19	9	DQ7	
20	8	CE	Active Low Chip-Enable Input
21	28	A10	Address Input
22	7	OE	Active Low Output-Enable Input
23	29	A11	Address Input
24	27	A9	
25	26	A8	
26	31	A13	
27	6	$\overline{WE}$	Active-Low Write-Enable Input
28	5	V <sub>CC</sub>	Power-Supply Input
-	4	$\overline{RST}$	Active-Low Reset Output, Open Drain. Requires a pull-up resistor for proper operation.
-	1-3,33,34	NC	No Connection
-		X1, X2, V <sub>BAT</sub>	Crystal Connection V <sub>BAT</sub> Battery Connection

## DESCRIPTION

The DS1644 is a 32k x 8 nonvolatile static RAM with a full function real time clock, which are both accessible in a byte-wide format. The nonvolatile timekeeping RAM is functionally equivalent to any JEDEC standard 32k x 8 SRAM. The device can also be easily substituted for ROM, EPROM and EEPROM, providing read/write nonvolatility and the addition of the real time clock function. The real time clock information resides in the eight uppermost RAM locations. The RTC registers contain year, month, date, day, hours, minutes, and seconds data in 24-hour BCD format. Corrections for the day of the month and leap year are made automatically. The RTC clock registers are double-buffered to avoid access of incorrect data that can occur during clock update cycles. The double-buffered system also prevents time loss as the timekeeping countdown continues unabated by access to time register data. The DS1644 also contains its own power-fail circuitry, which deselected the device when the V<sub>CC</sub> supply is in an out-of-tolerance condition. This feature prevents loss of data from unpredictable system operation brought on by low V<sub>CC</sub> as errant access and update cycles are avoided.

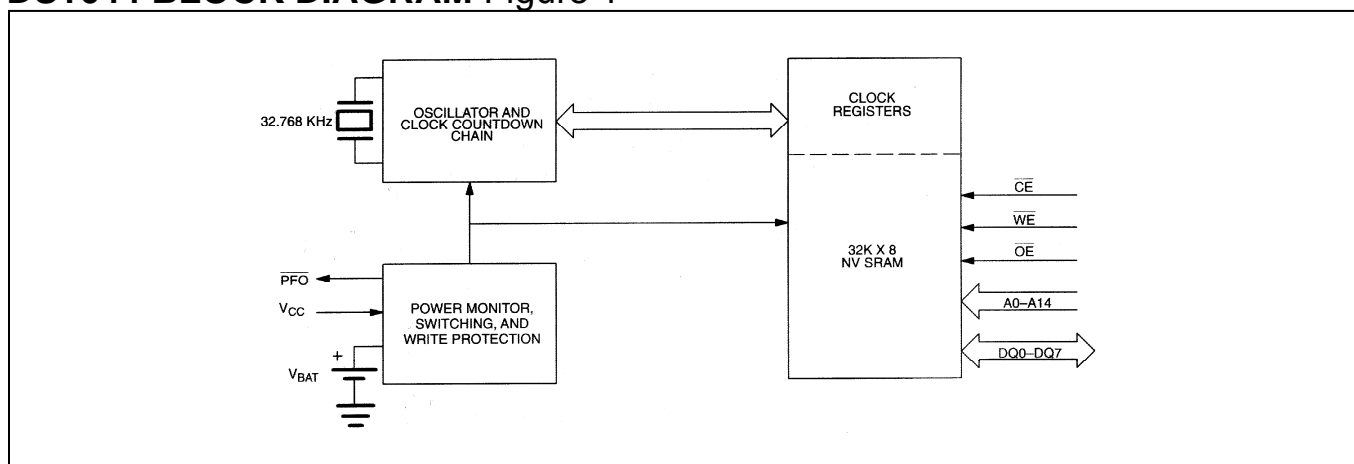
## PACKAGES

The DS1644 is available in two packages (28-pin DIP and 34-pin PowerCap module). The 28-pin DIP style module integrates the crystal, lithium energy source, and silicon all in one package. The 34-pin PowerCap Module Board is designed with contacts for connection to a separate PowerCap (DS9034PCX) that contains the crystal and battery. This design allows the PowerCap to be mounted on top of the DS1644P after the completion of the surface-mount process. Mounting the PowerCap after the surface mount process prevents damage to the crystal and battery due to the high temperatures required for solder reflow. The PowerCap is keyed to prevent reverse insertion. The PowerCap Module Board and PowerCap are ordered separately and shipped in separate containers. The part number for the PowerCap is DS9034PCX.

## CLOCK OPERATIONS—READING THE CLOCK

While the double-buffered register structure reduces the chance of reading incorrect data, internal updates to the DS1644 clock registers should be halted before clock data is read to prevent reading of data in transition. However, halting the internal clock register updating process does not affect clock accuracy. Updating is halted when a 1 is written into the read bit, the 7th most significant bit in the control register. As long as a 1 remains in that position, updating is halted. After a halt is issued, the registers reflect the count, that is day, date, and time that was present at the moment the halt command was issued. However, the internal clock registers of the double-buffered system continue to update so that the clock accuracy is not affected by the access of data. All of the DS1644 registers are updated simultaneously after the clock status is reset. Updating is within a second after the read bit is written to 0.

## DS1644 BLOCK DIAGRAM Figure 1



## DS1644 TRUTH TABLE Table 1

$V_{CC}$	$\overline{CE}$	$\overline{OE}$	$\overline{WE}$	MODE	DQ	POWER
$5V \pm 10\%$	$V_{IH}$	X	X	DESELECT	HIGH-Z	STANDBY
	X	X	X	DESELECT	HIGH-Z	STANDBY
	$V_{IL}$	X	$V_{IL}$	WRITE	DATA IN	ACTIVE
	$V_{IL}$	$V_{IL}$	$V_{IH}$	READ	DATA OUT	ACTIVE
	$V_{IL}$	$V_{IH}$	$V_{IH}$	READ	HIGH-Z	ACTIVE
$<4.5V >V_{BAT}$	X	X	X	DESELECT	HIGH-Z	CMOS STANDBY
$<V_{BAT}$	X	X	X	DESELECT	HIGH-Z	DATA RETENTION MODE

## SETTING THE CLOCK

The MSB Bit, (B7) of the control register is the write bit. Setting the write bit to a 1, like the read bit, halts updates to the DS1644 registers. The user can then load them with the correct day, date and time data in 24-hour BCD format. Resetting the write bit to a 0 then transfers those values to the actual clock counters and allows normal operation to resume.

## STOPPING AND STARTING THE CLOCK OSCILLATOR

The clock oscillator may be stopped at any time. To increase the shelf life, the oscillator can be turned off to minimize current drain from the battery. The  $\overline{\text{OSC}}$  bit is the MSB for the seconds registers. Setting it to a 1 stops the oscillator.

## FREQUENCY TEST BIT

Bit 6 of the day byte is the frequency test bit. When the frequency test bit is set to logic 1 and the oscillator is running, the LSB of the seconds register will toggle at 512 Hz. When the seconds register is being read, the  $\overline{\text{DQ0}}$  line will toggle at the 512 Hz frequency as long as conditions for access remain valid (i.e.,  $\overline{\text{CE}}$  low,  $\overline{\text{OE}}$  low, and address for seconds register remain valid and stable).

## CLOCK ACCURACY (DIP MODULE)

The DS1644 is guaranteed to keep time accuracy to within  $\pm 1$  minute per month at 25°C. The RTC is calibrated at the factory by Dallas Semiconductor using nonvolatile tuning elements, and does not require additional calibration. For this reason, methods of field clock calibration are not available and not necessary. Clock accuracy is also affected by the electrical environment and caution should be taken to place the RTC in the lowest level EMI section of the PCB layout. For additional information please see application note 58.

## CLOCK ACCURACY (POWERCAP MODULE)

The DS1644 and DS9034PCX are each individually tested for accuracy. Once mounted together, the module will typically keep time accuracy to within  $\pm 1.53$  minutes per month (35 ppm) at 25°C. Clock accuracy is also affected by the electrical environment and caution should be taken to place the RTC in the lowest level EMI section of the PCB layout. For additional information please see application note 58.

**DS1644 REGISTER MAP—BANK1 Table 2**

ADDRESS	DATA								FUNCTION	
	B <sub>7</sub>	B <sub>6</sub>	B <sub>5</sub>	B <sub>4</sub>	B <sub>3</sub>	B <sub>2</sub>	B <sub>1</sub>	B <sub>0</sub>		
7FFF	—	—	—	—	—	—	—	—	Year	00-99
7FFE	X	X	X	—	—	—	—	—	Month	01-12
7FFD	X	X	-	—	—	—	—	—	Date	01-31
7FFC	X	FT	X	X	X	—	—	—	Day	01-07
7FFB	X	X	—	—	—	—	—	—	Hour	00-23
7FFA	X	—	—	—	—	—	—	—	Minutes	00-59
7FF9	$\overline{\text{OSC}}$	—	—	—	—	—	—	—	Seconds	00-59
7FF8	W	R	X	X	X	X	X	X	Control	A

$\overline{\text{OSC}}$  = STOP BIT      R = READ BIT      FT = FREQUENCY TEST  
W = WRITE BIT      X = UNUSED

**Note:** All indicated “X” bits are unused but must be set to “0” during write cycles to ensure proper clock operation.

**RETRIEVING DATA FROM RAM OR CLOCK**

The DS1644 is in the read mode whenever  $\overline{\text{WE}}$  (write enable) is high, and  $\overline{\text{CE}}$  (chip enable) is low. The device architecture allows ripple-through access to any of the address locations in the NV SRAM. Valid data will be available at the DQ pins within  $t_{AA}$  after the last address input is stable, providing that the  $\overline{\text{CE}}$  and  $\overline{\text{OE}}$  access times and states are satisfied. If  $\overline{\text{CE}}$  or  $\overline{\text{OE}}$  access times are not met, valid data will be available at the latter of chip enable access ( $t_{CEA}$ ) or at output enable access time ( $t_{OEA}$ ). The state of the data input/output pins (DQ) is controlled by  $\overline{\text{CE}}$  and  $\overline{\text{OE}}$ . If the outputs are activated before  $t_{AA}$ , the data lines are driven to an intermediate state until  $t_{AA}$ . If the address inputs are changed while  $\overline{\text{CE}}$  and  $\overline{\text{OE}}$  remain valid, output data will remain valid for output data hold time ( $t_{OH}$ ) but will then go indeterminate until the next address access.

**WRITING DATA TO RAM OR CLOCK**

The DS1644 is in the write mode whenever  $\overline{\text{WE}}$  and  $\overline{\text{CE}}$  are in their active state. The start of a write is referenced to the latter occurring high to low transition of  $\overline{\text{WE}}$  or  $\overline{\text{CE}}$ . The addresses must be held valid throughout the cycle.  $\overline{\text{CE}}$  or  $\overline{\text{WE}}$  must return inactive for a minimum of  $t_{WR}$  prior to the initiation of another read or write cycle. Data in must be valid  $t_{DS}$  prior to the end of write and remain valid for  $t_{DH}$  afterward. In a typical application, the  $\overline{\text{OE}}$  signal will be high during a write cycle. However,  $\overline{\text{OE}}$  can be active provided that care is taken with the data bus to avoid bus contention. If  $\overline{\text{OE}}$  is low prior to  $\overline{\text{WE}}$  transitioning low the data bus can become active with read data defined by the address inputs. A low transition on  $\overline{\text{WE}}$  will then disable the outputs  $t_{WEZ}$  after  $\overline{\text{WE}}$  goes active.

## DATA RETENTION MODE

When  $V_{CC}$  is within nominal limits ( $V_{CC} > 4.5$  volts) the DS1644 can be accessed as described above with read or write cycles. However, when  $V_{CC}$  is below the power-fail point  $V_{PF}$  (point at which write protection occurs) the internal clock registers and RAM are blocked from access. This is accomplished internally by inhibiting access via the  $\overline{CE}$  signal. At this time the power-fail output signal ( $\overline{PFO}$ ) will be driven active low and will remain active until  $V_{CC}$  returns to nominal levels. When  $V_{CC}$  falls below the level of the internal battery supply, power input is switched from the  $V_{CC}$  pin to the internal battery and clock activity, RAM, and clock data are maintained from the battery until  $V_{CC}$  is returned to nominal level.

**ABSOLUTE MAXIMUM RATINGS**

Voltage Range on Any Pin Relative to Ground.....	-0.3V to +6.0V
Storage Temperature Range.....	-40°C to +85°C, Noncondensing
Operating Temperature Range.....	0°C to +70°C, Noncondensing
Lead Temperature (soldering, 10s) .....	+260°C
Soldering Temperature (reflow, PowerCap package) .....	+260°C

*This is a stress rating only and functional operation of the device at these or any other conditions above those indicated in the operation sections of this specification is not implied. Exposure to absolute maximum rating conditions for extended periods of time may affect reliability.*

**RECOMMENDED DC OPERATING CONDITIONS (Over the Operating Range)**

PARAMETER	SYMBOL	MIN	TYP	MAX	UNITS	NOTES
Supply Voltage	V <sub>CC</sub>	4.5		5.5	V	1
Logic 1 Voltage All Inputs	V <sub>IH</sub>	2.2		V <sub>CC</sub> +0.3	V	
Logic 0 Voltage All Inputs	V <sub>IL</sub>	-0.3		0.8	V	

**DC ELECTRICAL CHARACTERISTICS (Over the Operating Range)**

PARAMETER	SYMBOL	MIN	TYP	MAX	UNITS	NOTES
Average V <sub>CC</sub> Power Supply Current	I <sub>CC1</sub>			75	mA	3
TTL Standby Current (CE = V <sub>IH</sub> )	I <sub>CC2</sub>			6	mA	3
CMOS Standby Current (CE = V <sub>CC</sub> - 0.2V)	I <sub>CC3</sub>			4.0	mA	3
Input Leakage Current (any input)	I <sub>IL</sub>	-1		+1	μA	
Output Leakage Current	I <sub>OL</sub>	-1		+1	μA	
Output Logic 1 Voltage (I <sub>OUT</sub> = -1.0 mA)	V <sub>OH</sub>	2.4			V	
Output Logic 0 Voltage (I <sub>OUT</sub> = +2.1 mA)	V <sub>OL</sub>			0.4	V	
Power-Fail Voltage	V <sub>PF</sub>	4.0		4.5	V	

**AC ELECTRICAL CHARACTERISTICS** (Over the Operating Range)

PARAMETER	SYMBOL	MIN	TYP	MAX	UNITS	NOTES
Read Cycle Time	$t_{RC}$	120			ns	
Address Access Time	$t_{AA}$			120	ns	
$\overline{CE}$ Access Time	$t_{CEA}$			120	ns	
$\overline{CE}$ Data Off Time	$t_{CEZ}$			40	ns	
Output Enable Access Time	$t_{OEA}$			100	ns	
Output Enable Data Off Time	$t_{OEZ}$			40	ns	
Output Enable to DQ Low-Z	$t_{OEL}$	5			ns	
$\overline{CE}$ to DQ Low-Z	$t_{CEL}$	5			ns	
Output Hold from Address	$t_{OH}$	5			ns	
Write Cycle Time	$t_{WC}$	120			ns	
Address Setup Time	$t_{AS}$	0			ns	
$\overline{CE}$ Pulse Width	$t_{CEW}$	100			ns	
Address Hold from End of Write	$t_{AH1}$	5			ns	5
	$t_{AH2}$	30			ns	6
Write Pulse Width	$t_{WEW}$	75			ns	
$\overline{WE}$ Data Off Time	$t_{WEZ}$			40	ns	
$\overline{WE}$ or $\overline{CE}$ Inactive Time	$t_{WR}$	10			ns	
Data Setup Time	$t_{DS}$	85			ns	
Data Hold Time High	$t_{DH1}$	0			ns	5
	$t_{DH2}$	15			ns	6

**AC TEST CONDITIONS**

Input Levels: 0V to 3V

Transition Times: 5 ns

**CAPACITANCE** $(T_A = +25^\circ\text{C})$ 

PARAMETER	SYMBOL	MIN	TYP	MAX	UNITS	NOTES
Capacitance on all pins (except DQ)	$C_I$			7	pF	
Capacitance on DQ pins	$C_{DQ}$			10	pF	

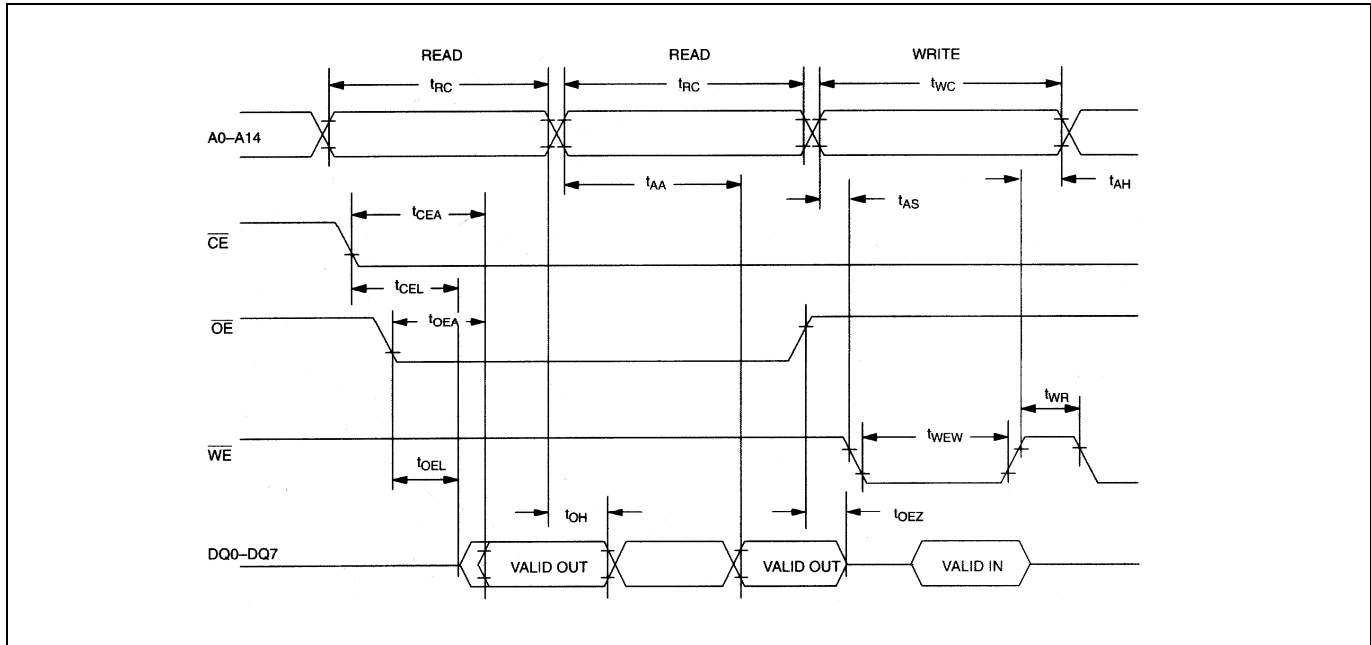
**AC ELECTRICAL CHARACTERISTICS****(POWER-UP/DOWN TIMING)**

(Over the Operating Range)

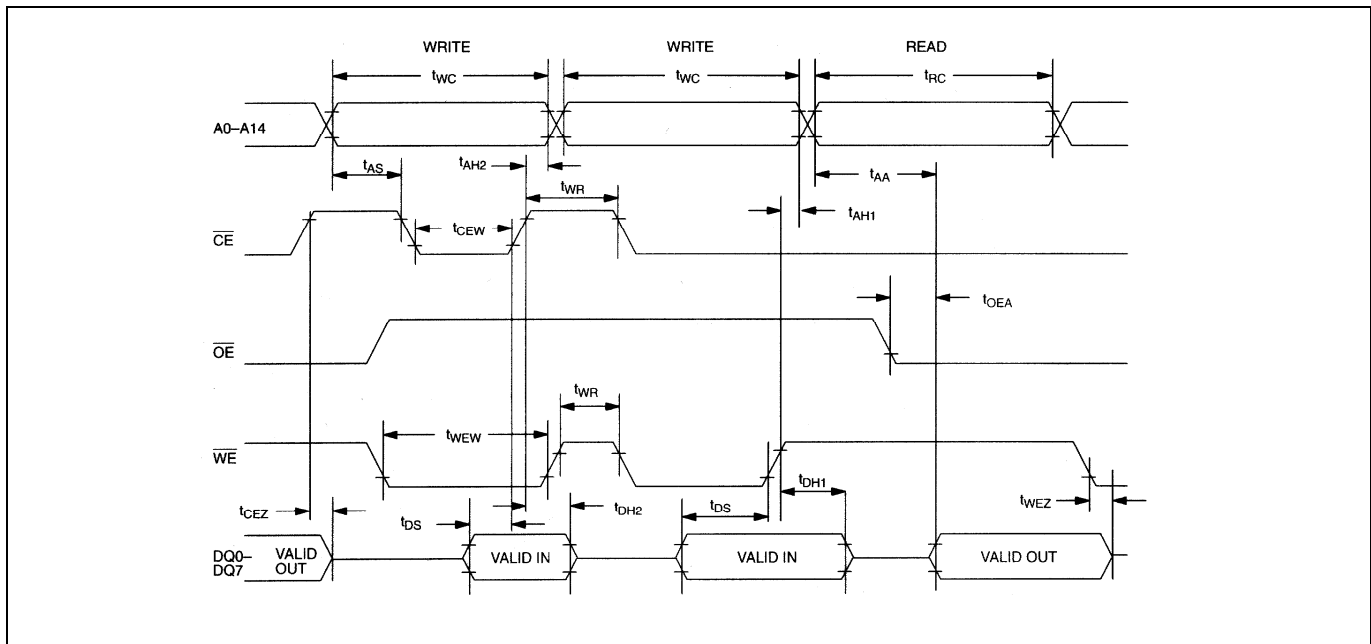
PARAMETER	SYMBOL	MIN	TYP	MAX	UNITS	NOTES
$\overline{CE}$ or $\overline{WE}$ at $V_{IH}$ before Power Down	$t_{PD}$	0			$\mu\text{s}$	
$V_{PF}$ (Max) to $V_{PF}$ (Min) $V_{CC}$ Fall Time	$t_F$	300			$\mu\text{s}$	
$V_{PF}$ (Min) to $V_{SO}$ $V_{CC}$ Fall Time	$t_{FB}$	10			$\mu\text{s}$	
$V_{SO}$ to $V_{PF}$ (Min) $V_{CC}$ Rise Time	$t_{RB}$	1			$\mu\text{s}$	
$V_{PF}$ (Min) to $V_{PF}$ (Max) $V_{CC}$ Rise Time	$t_R$	0			$\mu\text{s}$	
Power-Up	$t_{REC}$	15		35	ms	
Expected Data Retention Time (Oscillator On)	$t_{DR}$	10			years	4



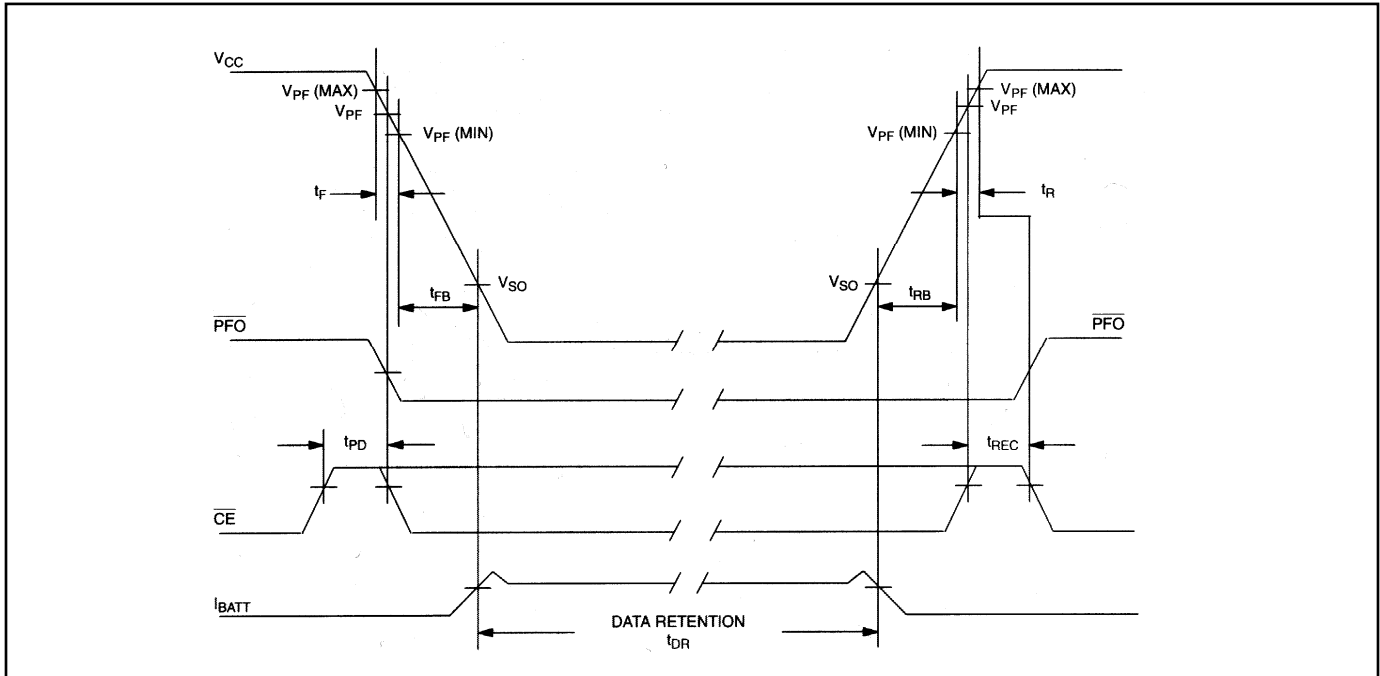
## DS1644 READ CYCLE TIMING



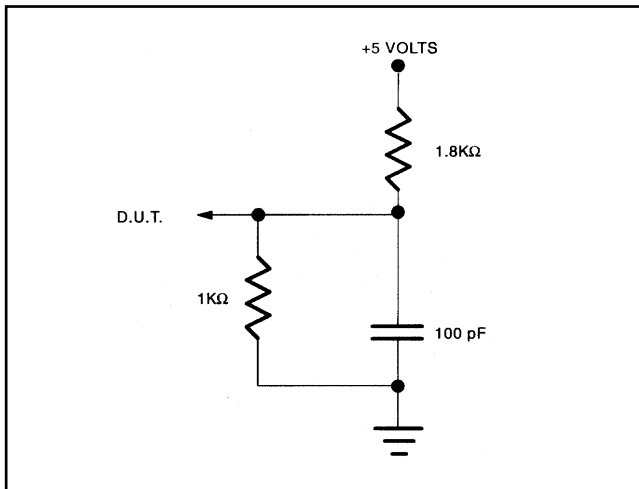
## DS1644 WRITE CYCLE TIMING



## POWER-DOWN/POWER-UP TIMING



## OUTPUT LOAD



**NOTES:**

1. All voltages are referenced to ground.
2. Typical values are at 25°C and nominal supplies.
3. Outputs are open.
4. Data retention time is at 25°C and is calculated from the date code on the device package. The date code XXYY is the year followed by the week of the year in which the device was manufactured. For example, 9225 would mean the 25<sup>th</sup> week of 1992.
5.  $t_{AH1}$ ,  $t_{DH1}$  are measured from  $\overline{WE}$  going high.
6.  $t_{AH2}$ ,  $t_{DH2}$  are measured from  $\overline{CE}$  going high.
7. Real-Time Clock Modules (DIP) can be successfully processed through conventional wave-soldering techniques as long as temperatures as long as temperature exposure to the lithium energy source contained within does not exceed +85°C. Post solder cleaning with water washing techniques is acceptable, provided that ultrasonic vibration is not used.

In addition, for the PowerCap version:

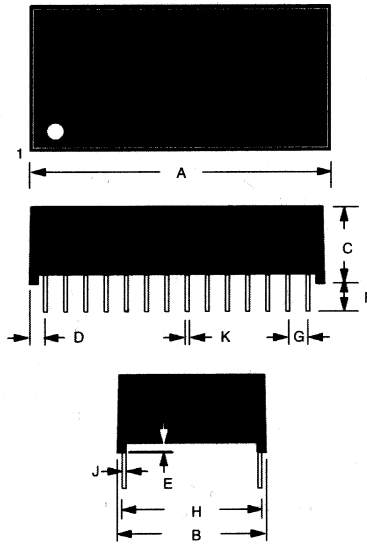
- a. Dallas Semiconductor recommends that PowerCap Module bases experience one pass through solder reflow oriented with the label side up (“live - bug”).
- b. Hand soldering and touch-up: Do not touch or apply the soldering iron to leads for more than 3 (three) seconds. To solder, apply flux to the pad, heat the lead frame pad and apply solder. To remove the part, apply flux, heat the lead frame pad until the solder reflows and use a solder wick to remove solder.

**PACKAGE INFORMATION**

For the latest package outline information and land patterns, go to [www.maxim-ic.com/packages](http://www.maxim-ic.com/packages). Note that a “+”, “#”, or “-” in the package code indicates RoHS status only. Package drawings may show a different suffix character, but the drawing pertains to the package regardless of RoHS status.

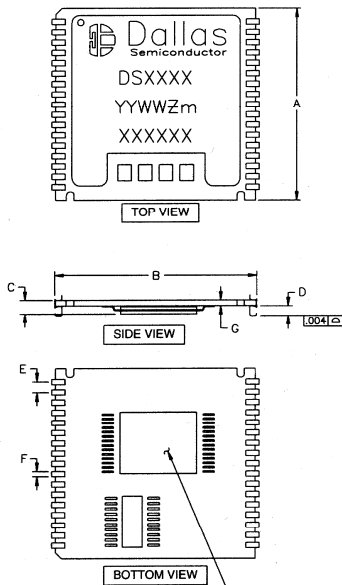
PACKAGE TYPE	PACKAGE CODE	DOCUMENT NO.
28 EDIP	MDF28+3	<a href="#">21-0245</a>
34 PWRCP	PC2+2	<a href="#">21-0246</a>

## DS1644 28-PIN PACKAGE



PKG	28-PIN	
DIM	MIN	MAX
A IN.	1.470	1.490
MM	37.34	37.85
B IN.	0.715	0.740
MM	18.16	18.80
C IN.	0.335	0.365
MM	8.51	9.27
D IN.	0.075	0.105
MM	1.91	2.67
E IN.	0.015	0.030
MM	0.38	0.76
F IN.	0.140	0.180
MM	3.56	4.57
G IN.	0.090	0.110
MM	2.29	2.79
H IN.	0.590	0.630
MM	14.99	16.00
J IN.	0.010	0.018
MM	0.25	0.45
K IN.	0.015	0.025
MM	0.38	0.64

## DS1644P

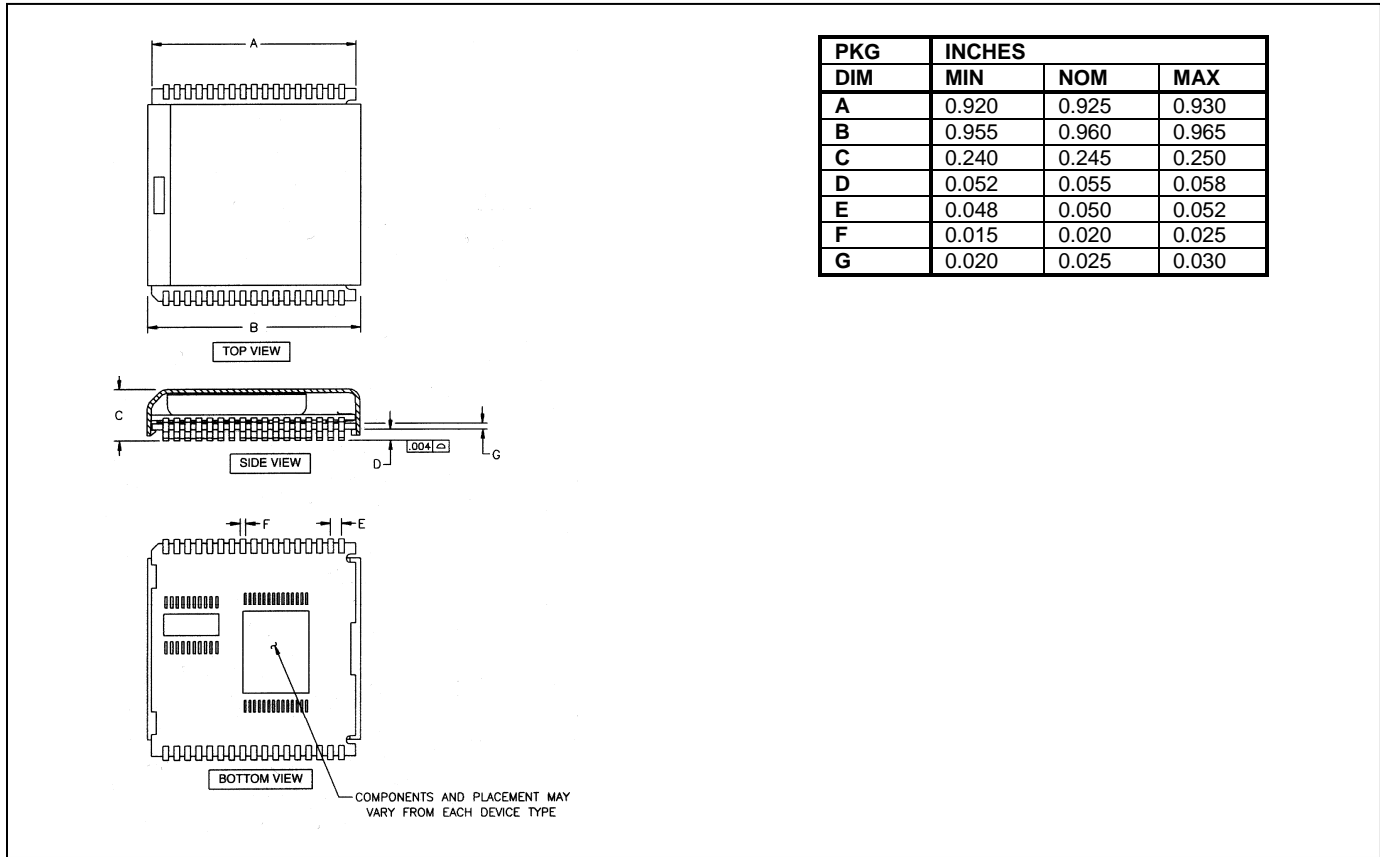


PKG	INCHES		
DIM	MIN	NOM	MAX
A	0.920	0.925	0.930
B	0.980	0.985	0.990
C	-	-	0.080
D	0.052	0.055	0.058
E	0.048	0.050	0.052
F	0.015	0.020	0.025
G	0.025	0.027	0.030

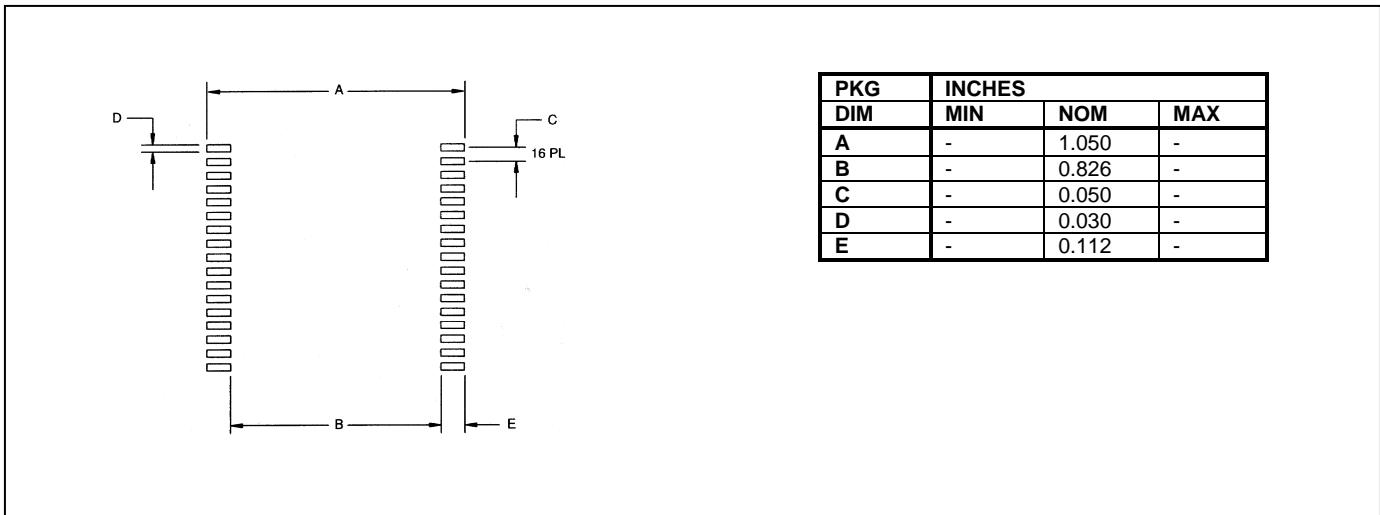
### NOTE FOR THE PowerCap VERSION:

- MAXIM RECOMMENDS THAT PowerCap MODULE BASES EXPERIENCE ONE PASS THROUGH SOLDER REFLOW ORIENTED WITH THE LABEL SIDE UP ("LIVE - BUG").
- HAND SOLDERING AND TOUCH-UP: DO NOT TOUCH OR APPLY THE SOLDERING IRON TO LEADS FOR MORE THAN 3 SECONDS. TO SOLDER, APPLY FLUX TO THE PAD, HEAT THE LEAD FRAME PAD AND APPLY SOLDER. TO REMOVE THE PART, APPLY FLUX, HEAT THE LEAD FRAME PAD UNTIL THE SOLDER REFLWS AND USE A SOLDER WICK TO REMOVE SOLDER.

### DS1644P WITH DS9034PCX ATTACHED



### RECOMMENDED POWERCAP MODULE LAND PATTERN



**REVISION HISTORY**

<b>REVISION DATE</b>	<b>DESCRIPTION</b>	<b>PAGES CHANGED</b>
4/10	Removed the leaded parts from the <i>Ordering Information</i> table; moved the Operating Range table into the <i>Absolute Maximum Ratings</i> section, added the lead temperature, and changed the soldering temperature information.	1, 7

# Mouser Electronics

Authorized Distributor

Click to View Pricing, Inventory, Delivery & Lifecycle Information:

[Maxim Integrated:](#)

[DS1644-120+](#) [DS1644P-120+](#)