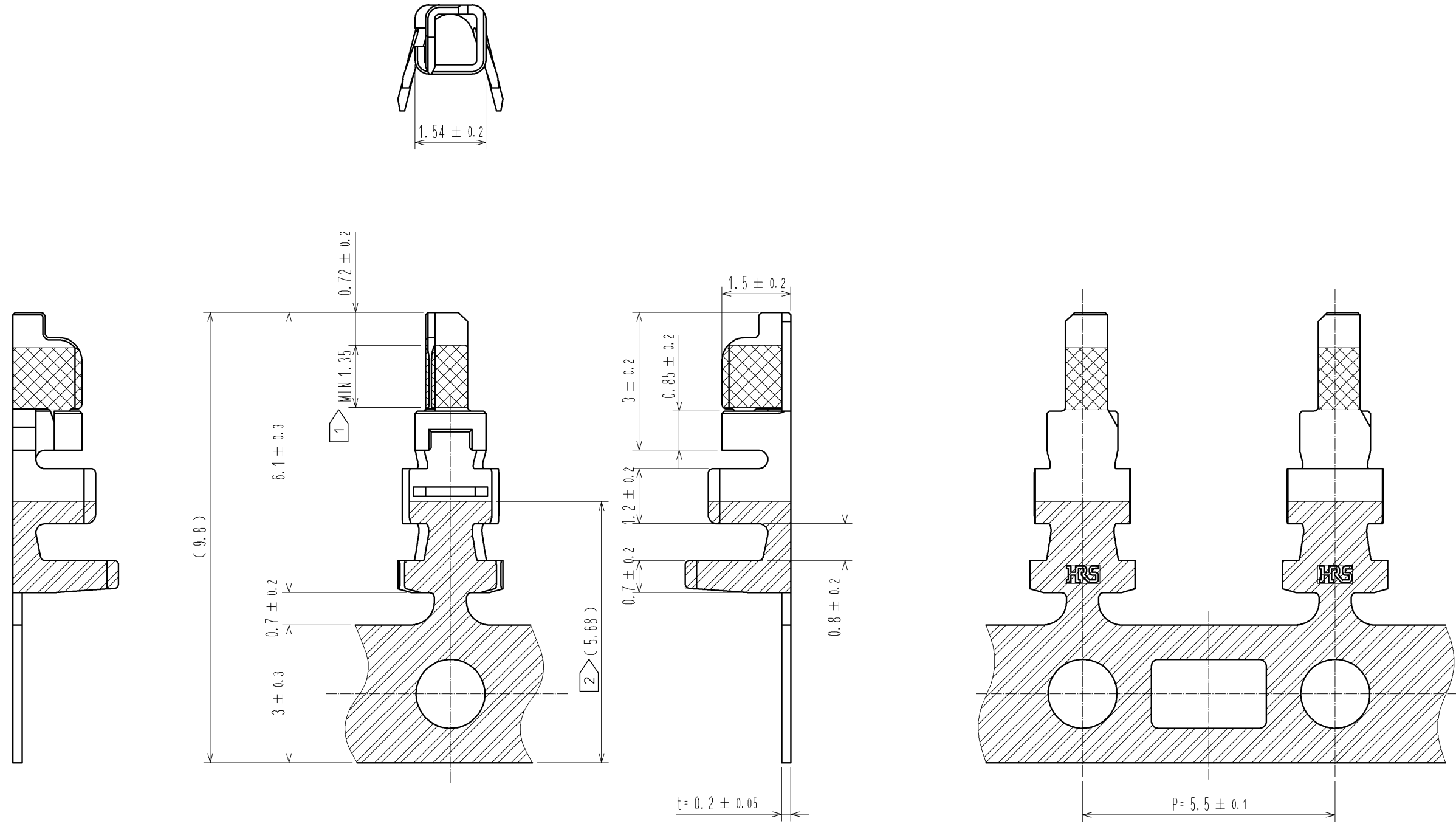


参考図：ご確認用。正式には別途納入仕様書をご請求願います。



NOTE. 1 GOLD PLATING AREA POSITION.
 2 TIN PLATING AREA POSITION.
 3 1 REEL : 10000 CONTACTS.

NO.	MATERIAL	FINISH . REMARKS	NO.	MATERIAL	FINISH . REMARKS		
1	PHOSPHOR BRONZE						
CONTACT AREA : GOLD PLATING 0.2 μm MIN CARRIER AREA : TIN PLATING 1μm MIN OTHERS : NICKEL PLATING 0.5 μm MIN							
UNITS	SCALE	COUNT	DESCRIPTION OF REVISIONS		DESIGNED	CHECKED	DATE
mm	5 : 1	△					
APPROVED : KI. AKIYAMA			10.09.28	DRAWING NO.			EDC3-331131-01
CHECKED : OM. MIYAMOTO			10.09.27	PART NO.			DF59-22PCFA
DESIGNED : KT. ISHII			10.09.27	CODE NO.			CL667-0016-8-00
DRAWN : KT. ISHII			10.09.27				△ 1/1

HRS HIROSE ELECTRIC CO., LTD.