

REVISIONS

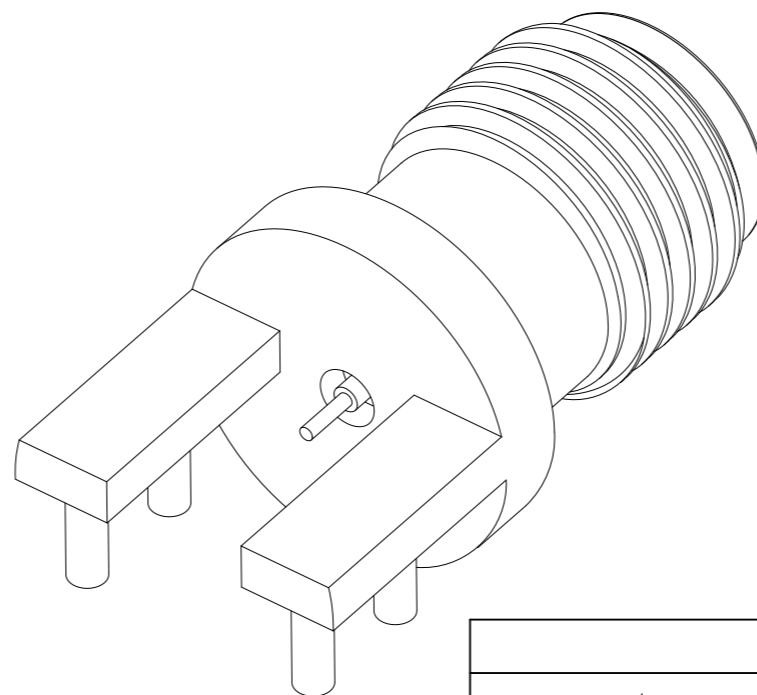
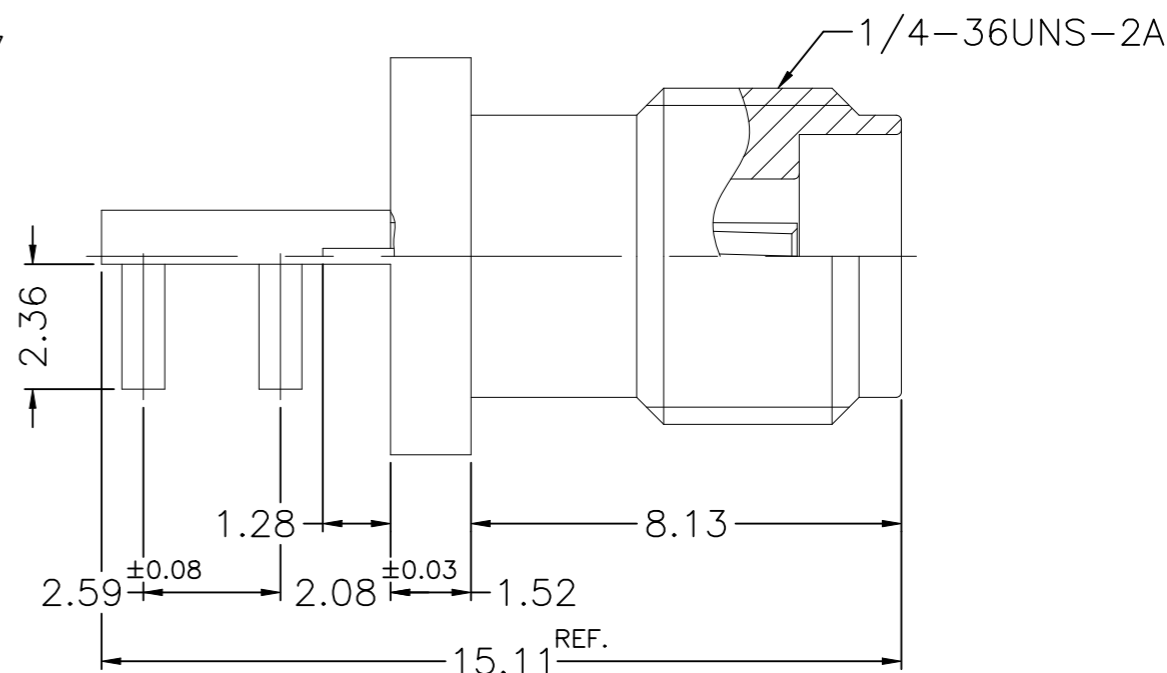
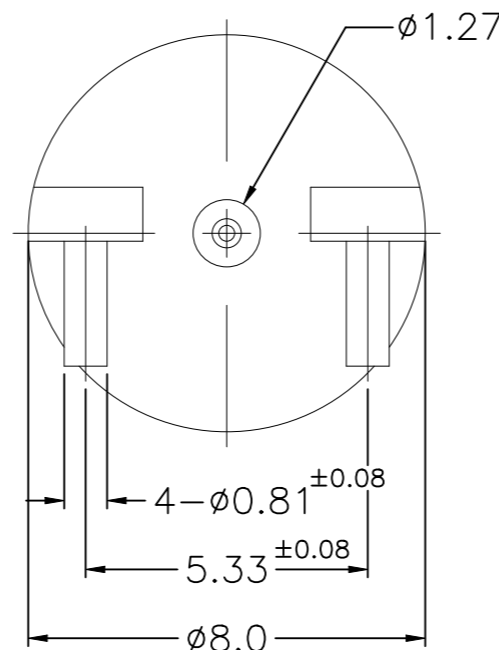
P	LTR	DESCRIPTION	DATE	DWN	APVD
	A1	REVISED AS PER ECN-26-362050	17DEC2025	YS	WZ

MATERIALS AND PLATING THICKNESS UNIT: MICRO-INCHES (MINIMUM)		
PART NAME	MATERIALS	PLATING
BODY	BRASS	SEE TEPN LIST
INSULATOR	PTFE	N/A
CONTACT PIN	BeCu	SEE TEPN LIST


ELECTRICAL CHARACTERISTICS		
IMPEDANCE	50 Ω	
VOLTAGE RATING	330 VRMS	
FREQUENCY RANGE	DC~40GHz	
DIELECTRIC WITHSTANDING VOLTAGE	500 VRMS Min	
CONTACT RESISTANCE	CENTER CONTACT	3.0 mΩ Max
	OUTER CONTACT	2.0 mΩ Max
INSULATION RESISTANCE	5000 MΩ Min	
INSERTION LOSS	0.3dB Max(DC-40GHz)	
VSWR	1.3 Max(DC-40GHz)	

MECHANICAL CHARACTERISTICS		
DURABILITY	500 cycles Min	
ENGAGEMENT FORCE	0.23N.m Max	
DISENGAGEMENT FORCE	0.23N.m Max	

ENVIRONMENTAL PARAMETER		
TEMPERATURE RANGE	-65 °C~+165 °C	
THERMAL SHOCK	MIL- STD 202, Meth. 107,Cond. B	
VIBRATION	MIL- STD 202, Meth. 204,Cond. D	
SHOCK	MIL- STD 202, Meth. 213,Cond. I	
CORROSION	MIL- STD 202, Meth. 101,Cond. B	



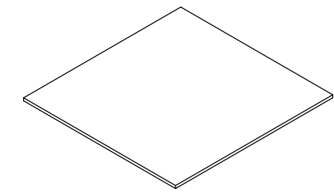
GOLD 3μIN/ELECTROLESS NICKEL 100μIN	GOLD 3μIN/ELECTROLESS NICKEL 100μIN	2523303-1
PLATING OF BODY	PLATING OF CONTACT PIN	PART NUMBER

THIS DRAWING IS A CONTROLLED DOCUMENT.		DWN ED 02SEP2025	 TE Connectivity Ltd.			
		CHK TP 02SEP2025				
		APVD ED 02SEP2025	NAME			
		PRODUCT SPEC	2.92mm JACK END LAUNCH			
		APPLICATION SPEC				
		WEIGHT 0	SIZE A3	CAGE CODE 00779	DRAWING NO C-2523303	RESTRICTED TO
		CUSTOMER DRAWING		SCALE 1:1	SHEET 1 OF 3	REV A1

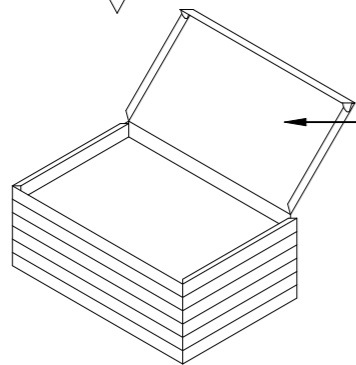
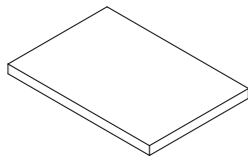
NOTES:
 1 TRAY PACKAGING,DETAIL PACKAGING IS IN PAGE 2;
 2 ALL DIMENSIONS ARE NOMINAL FOR REFERENCE ONLY UNLESS OTHERWISE STATED;
 3 RoHS: COMPLIANT.

DETAIL TRAY PACKAGING SPEC

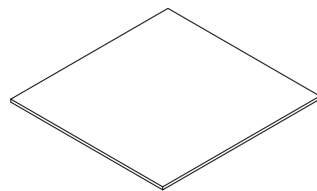
REVISIONS					
P	LTR	DESCRIPTION	DATE	DWN	APVD
-	-	SEE SHEET 1	-	-	-



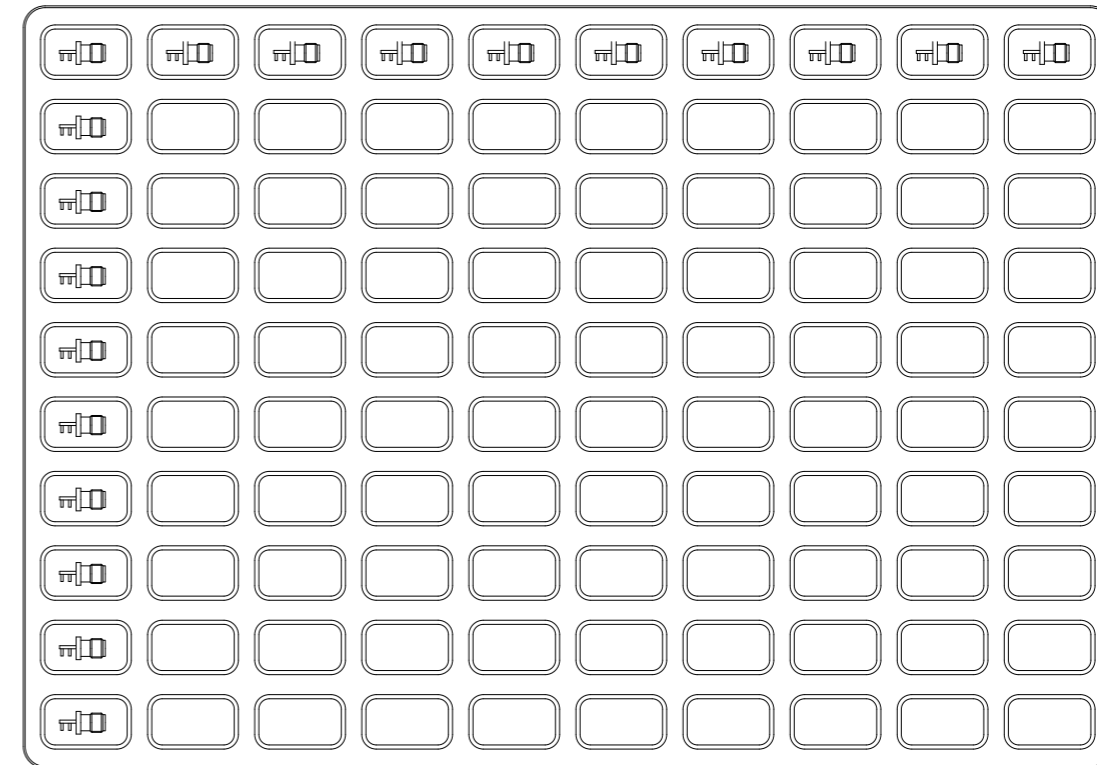
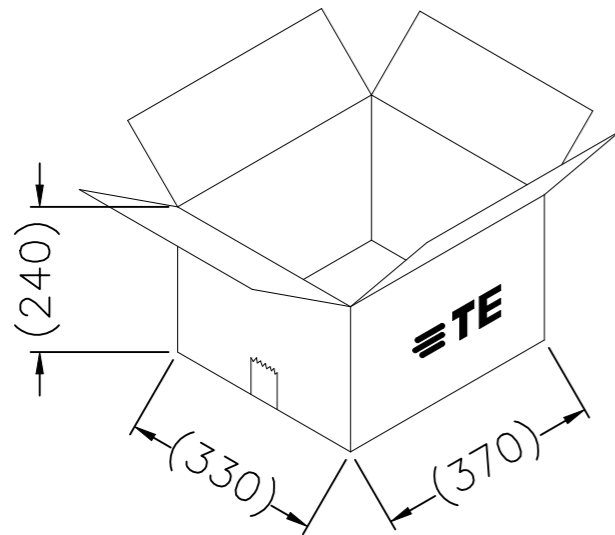
← Place a cardboard on the top of the boxes.



← Pack 100 pcs per tray. There is 1 tray per inner box, total of 3 inner boxes.



← Place a cardboard on the bottom of the boxes.

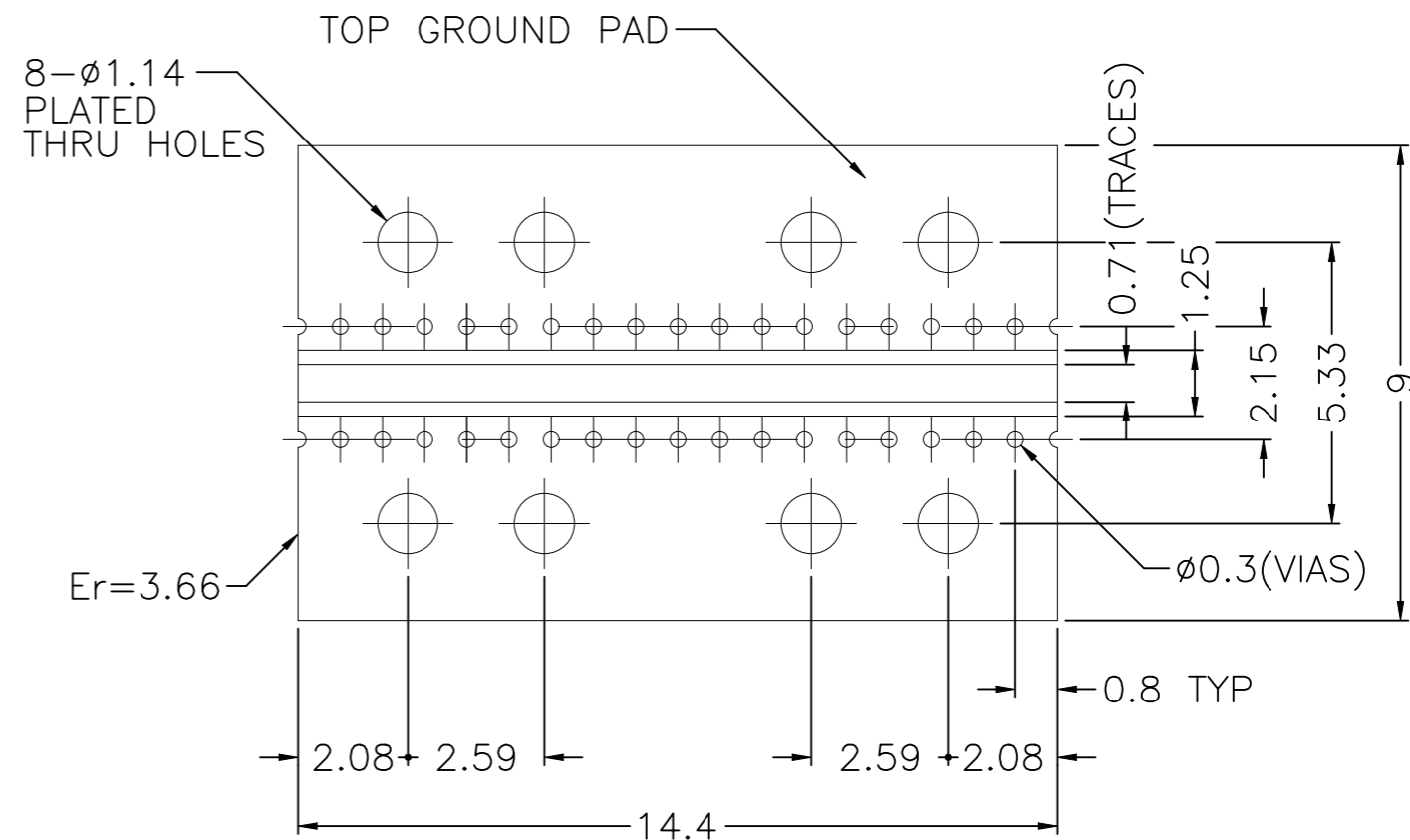
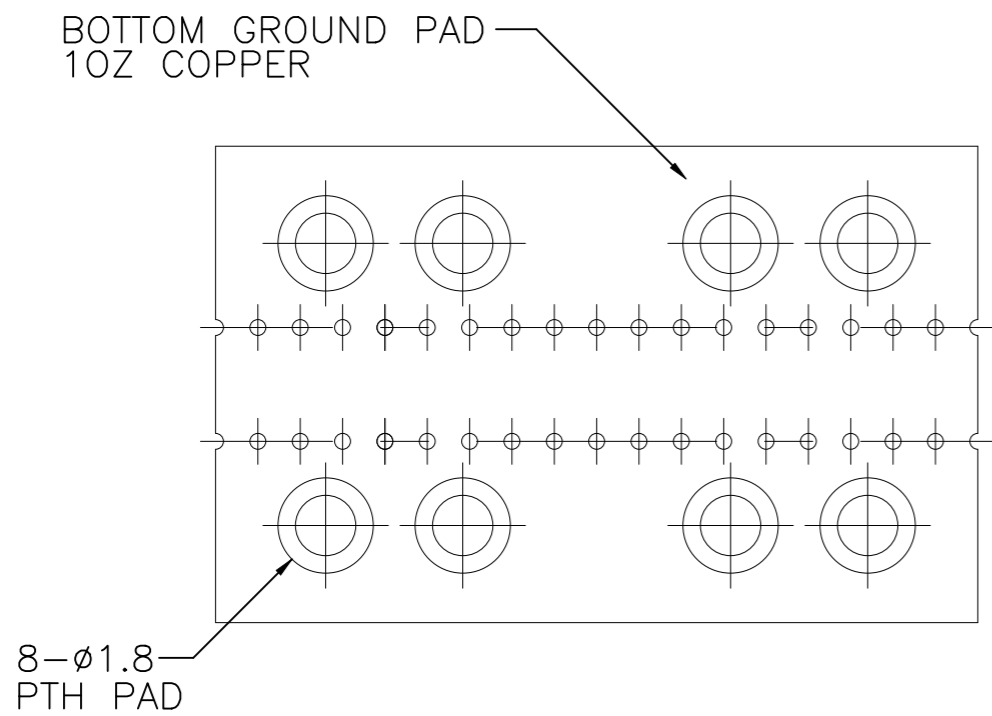


NOTE: 1. 100 pcs / Tray, 1 tray = 1 inner box
2. 3 inner box = 300 pcs

THIS DRAWING IS A CONTROLLED DOCUMENT.		DWN	02SEP2025		TE Connectivity Ltd.	
		ED				
		CHK	02SEP2025			
		TP			NAME	
		APVD	02SEP2025			
		ED			2.92mm JACK END LAUNCH	
		PRODUCT SPEC				
		APPLICATION SPEC			RESTRICTED TO	
		WEIGHT				
DIMENSIONS: mm		TOLERANCES UNLESS OTHERWISE SPECIFIED:		SIZE	CAGE CODE	DRAWING NO
		0 PLC	± -	A3	00779	C-2523303
		1 PLC	± -	SCALE 1:1		
		2 PLC	± -	SHEET 2 of 3		
		3 PLC	± -	REV A1		
		4 PLC	± -			
		ANGLES	± -			
MATERIAL		FINISH		CUSTOMER DRAWING		
-		-				

PCB LAYOUT FOR REFERENCE

REVISIONS					
P	LTR	DESCRIPTION	DATE	DWN	APVD
-	-	SEE SHEET 1	-	-	-



PCB LAYOUT FOR OPTIMAL PERFORMANCE

PCB THICKNESS 0.508mm

THIS DRAWING IS A CONTROLLED DOCUMENT.		DWN ED	02SEP2025	STE TE Connectivity Ltd.													
DIMENSIONS: mm		CHK TP	02SEP2025														
TOLERANCES UNLESS OTHERWISE SPECIFIED:		APVD ED	02SEP2025	NAME 2.92mm JACK END LAUNCH													
<table border="0"> <tr><td>0 PLC</td><td>± -</td></tr> <tr><td>1 PLC</td><td>± -</td></tr> <tr><td>2 PLC</td><td>± -</td></tr> <tr><td>3 PLC</td><td>± -</td></tr> <tr><td>4 PLC</td><td>± -</td></tr> <tr><td>ANGLES</td><td>± -</td></tr> </table>		0 PLC	± -	1 PLC	± -	2 PLC	± -	3 PLC	± -	4 PLC	± -	ANGLES	± -	PRODUCT SPEC	-	RESTRICTED TO	
0 PLC	± -																
1 PLC	± -																
2 PLC	± -																
3 PLC	± -																
4 PLC	± -																
ANGLES	± -																
MATERIAL		APPLICATION SPEC	-	SIZE	CAGE CODE												
FINISH		WEIGHT	-	A3	00779												
-		CUSTOMER DRAWING		DRAWING NO	C-2523303												
		SCALE	1:1	SHEET	3 OF 3												
				REV	A1												