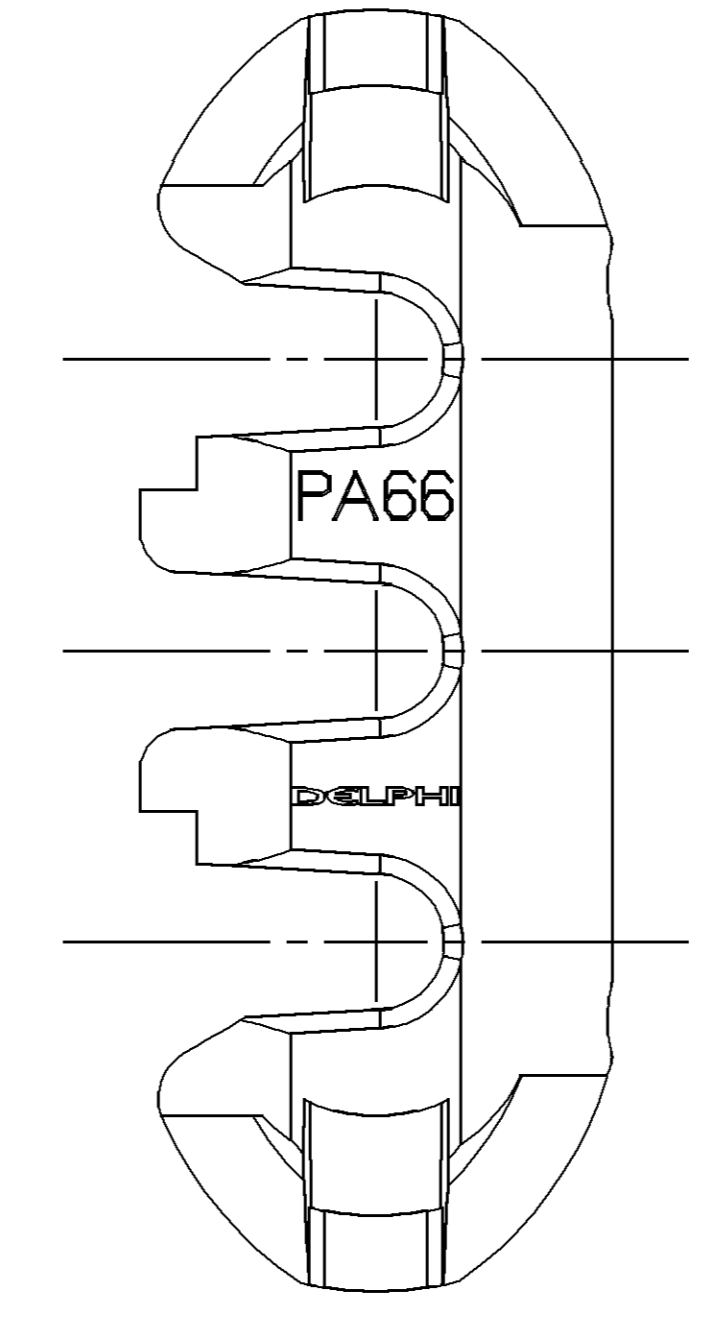
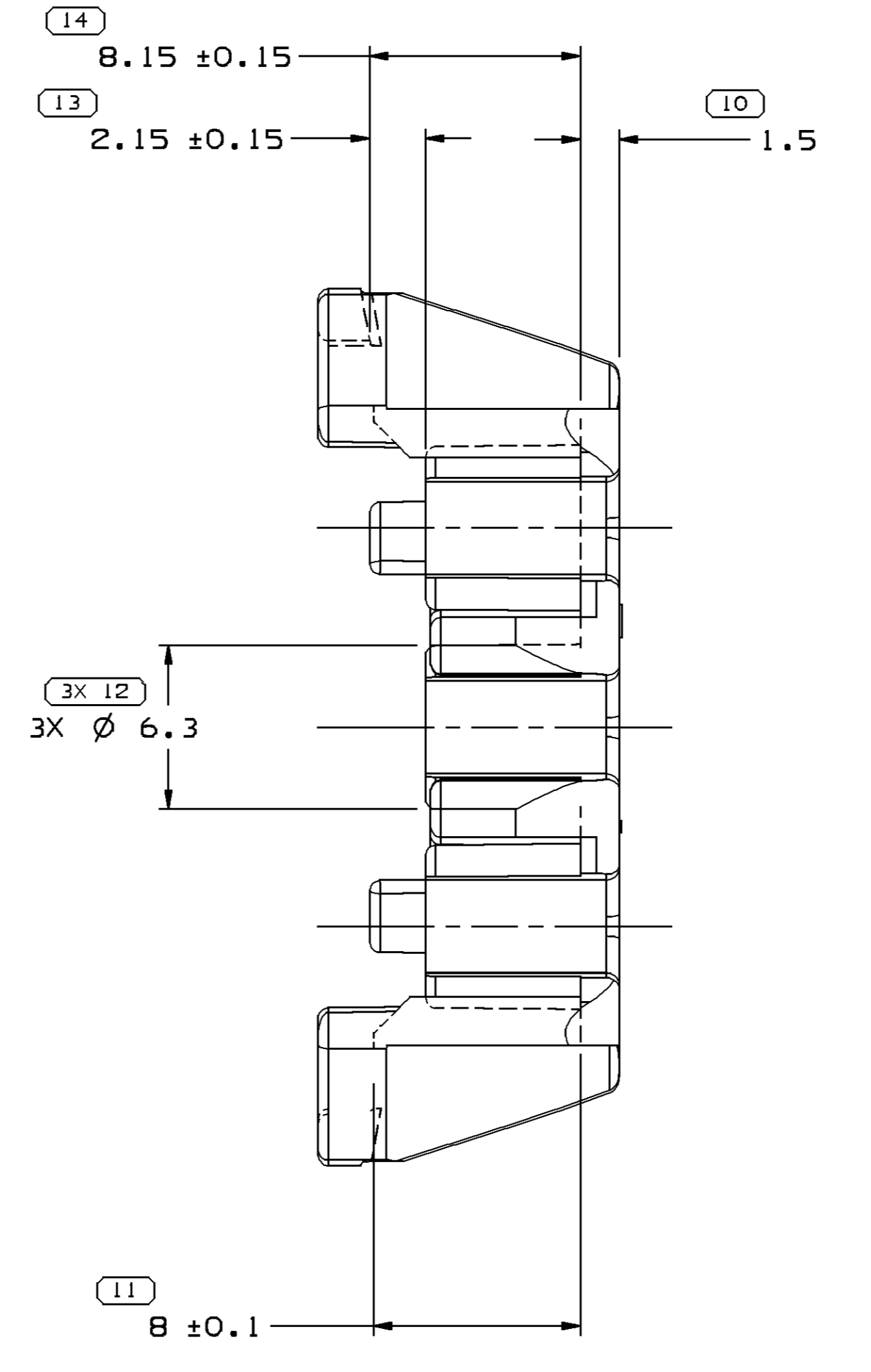
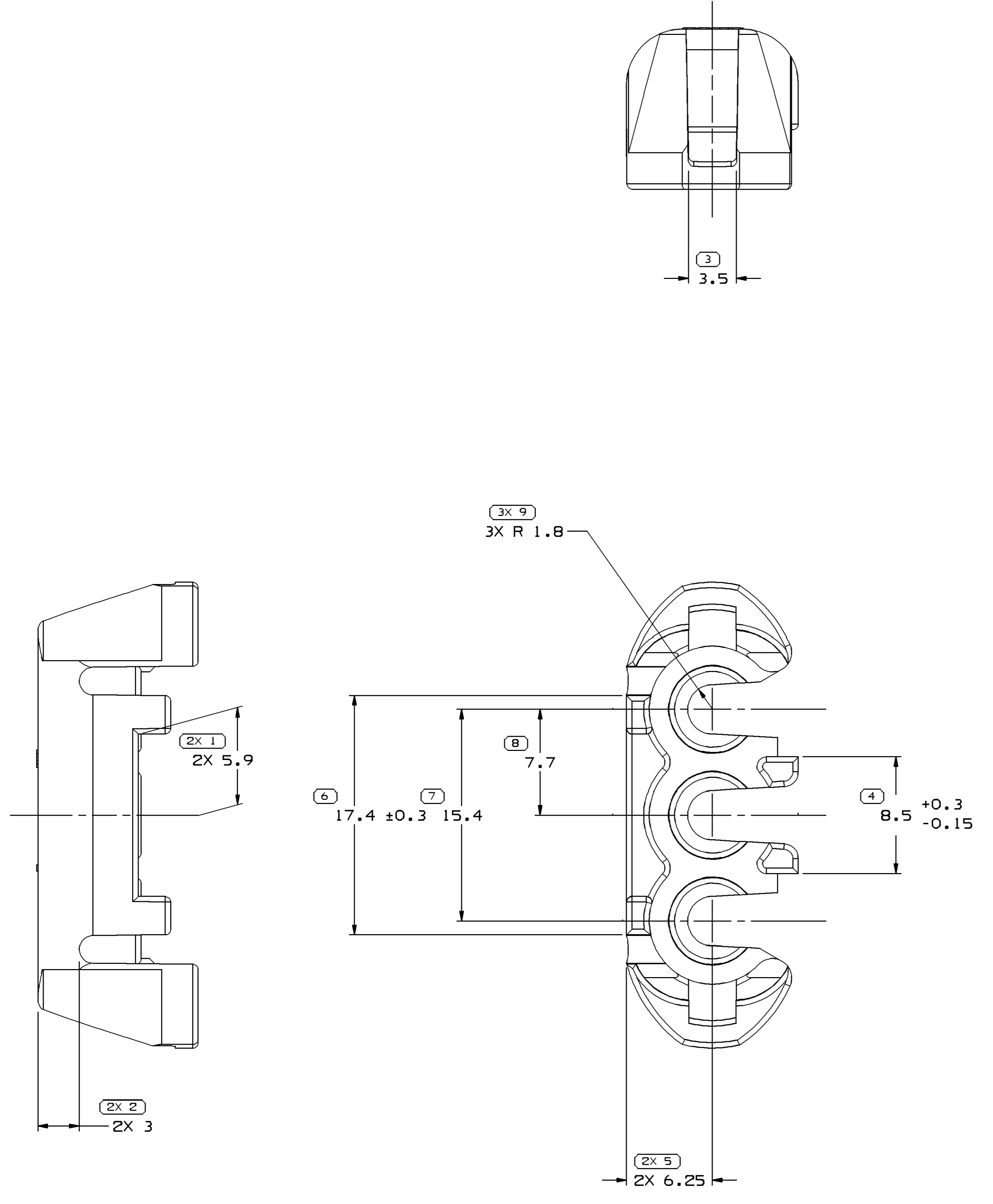


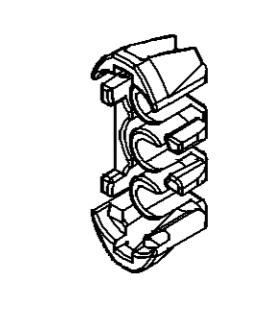
SYMBOL DEFINITION		TOTAL NO OF INSPECTIONS REQUIRED		NO MISSING SYMBOL NUMBER	
A DIMENSION WITHOUT AN INSPECTION REPORT SYMBOL () DOES NOT REQUIRE INSPECTION. IT MAY BE CONTROLLED ON THE INDIVIDUAL COMPONENT DRAWING.		21			
LAST NO. USED		14			

DWG STATUS					REVISION HISTORY			AUTH		
DATE	STG	REV	N/P	CHG	ZONE	REVISED	PD	ADDED	NOTES	ET
23MY02	R	01	-	-		ALL PARTS - CREATED PD, ADDED NOTES & REVISED MAT'L SPEC	225840	LEB	LEG	ET
110C02	R	02	-	-		12162422-MAT'L SPEC WAS M3596002 PA6 BLK & 15300015-MAT'L SPEC WAS M3596001 PA6 NAT	230156	RCH	RCH	RC
21MR06	R	03	-	-		15300015 - MAT'L SPEC WAS M3592002	278614	ACB	FRG	PYP



NOTES

- UNLESS OTHERWISE SPECIFIED AND/OR INDICATED: DIMENSIONS ARE TO FACE OF VIEW SHOWN AND AUTOMATICALLY ROUNDED BY COMPUTER FOR INSPECTION (SEE MATH MODEL FOR PRECISE DIMENSIONS). FOR ALL OTHER DIMENSIONS NOT SHOWN BUT REQUIRED FOR TOOL BUILD, SEE MATH MODEL FOR PRECISE TOOL PATH DATA. ALL RADII 0.4
DRAFT 15.1° MAX ON ALL OUTSIDE & INSIDE SURFACES
LOCKING FEATURES ARE IDENTICAL
- MATERIAL RECYCLING CODE >PA66< PER SAE J1344. (1.5)X(0.1) RAISED CHARACTERS AS SHOWN TO BE LOCATED ON ANY EXTERIOR SURFACE. OPTIONAL CONSTRUCTION TO BE NO MATERIAL RECYCLING CODE.
- THIS PART IS NOT CONTROLLED FOR AUTOMATIC FEEDING.
- MATING COMPONENTS OR EQUIVALENT:
CONNECTOR 15300003
MAX CABLE THAT WILL FIT PART IS Ø3.6
- (1.5)X(0.1) RAISED DELPHI CORPORATE BRAND TO BE LOCATED ON ANY EXTERIOR SURFACE, PREFERABLY VISIBLE AT FINAL ASSEMBLY. OPTIONAL CONSTRUCTION TO BE "PED" OR NO LOGO.



PART NO	STG	REV	N/P	STATUS	MATERIAL SPECIFICATION AND COLOR	VOLUME
15300015	-	12	-	-	M3592024 PA66 HS IM CRM	1.267
12162422	-	04	-	-	M3592001 PA66 IM HS BLK	1.267

DIMENSIONAL RANGE (MM)		SHORT ET	
FROM	> 0	> 30	> 70
TO	20	70	100
	100	150	200
	200	250	300
	300	400	
TOLERANCE UNLESS OTHERWISE SPECIFIED			
	±0.15	±0.2	±0.3
	±0.4	±0.5	±0.6
	±0.8	±1	±1.2
ANGULAR TOLERANCE 2°			

PART DRAWING	
STYLE	
VOLUME (0/1)	DISTR CODE
SEE CHART	D
UNLESS OTHERWISE SPECIFIED	
THIS DOCUMENT IS IN ACCORDANCE WITH ASME Y14.5M-1994 AS MODIFIED BY THE IN CHARGE, DIMENSIONING AND TOLERANCE MANUAL (PT). ALL DIMENSIONS UNLESS OTHERWISE SPECIFIED SHALL BE IN MILLIMETERS AND RELATED DATUMS APPLY. RAISED CHARACTERS SHALL BE LOCATED ON ANY EXTERIOR SURFACE UNLESS OTHERWISE SPECIFIED. DIMENSIONS SHALL BE TO UNLESS OTHERWISE SPECIFIED. DIMENSIONS SHALL BE TO UNLESS OTHERWISE SPECIFIED. DIMENSIONS SHALL BE TO UNLESS OTHERWISE SPECIFIED.	
ALL DIMENSIONS ARE IN MILLIMETERS.	
REFERENCE	
THIRD ANGLE PROJECTION	DO NOT SCALE
USE MATH DATA	UNIMAPHIS

DELPHI	
DELPHI PACKARD ELECTRIC SYSTEMS WARREN, MI	
DR	DATE
APV01 L. GARAY	23MY02
APV02 L. GARAY	23MY02
APV03 E. TRACEY	23MY02
APV04	
APV05	
SUBSTANCES OF CONCERN AND RECYCLED CONTENT PER DELPHI 10949001	
DRAWING NAME	
TAXI LOCK SECONDARY TPA M/P	
DRAWING NUMBER	
12162454	
SIZE	SCALE
A0	5:1
FRM NO	SHEET NO
1	1 OF 1
REV	N/P
1	R 03