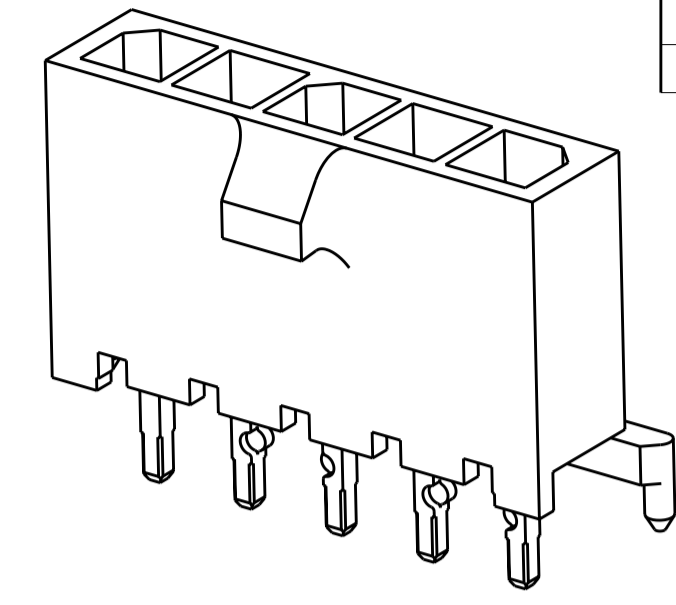
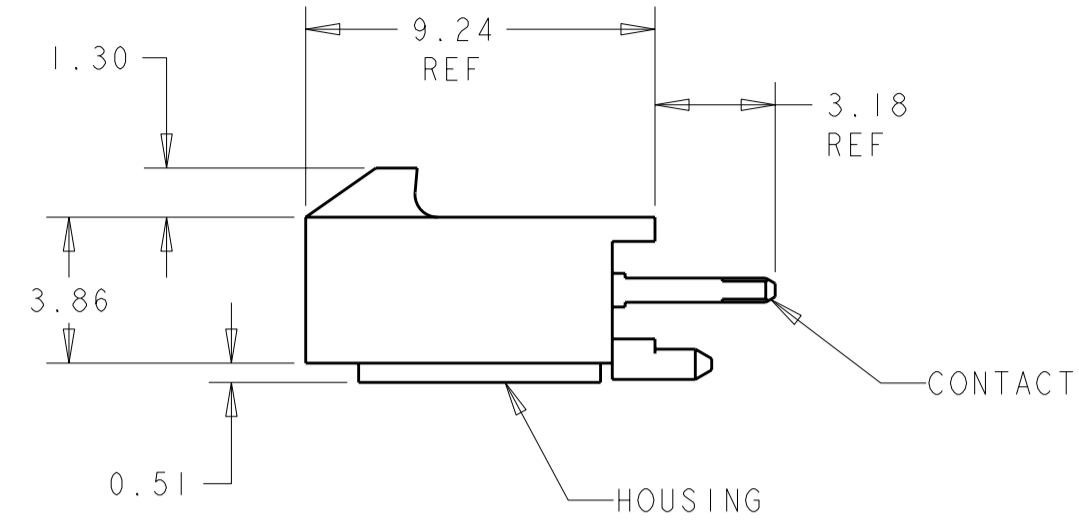
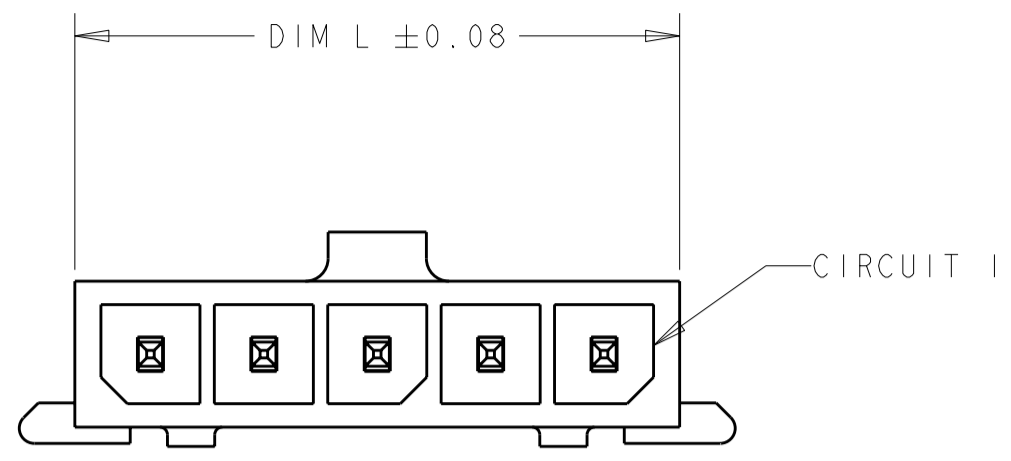
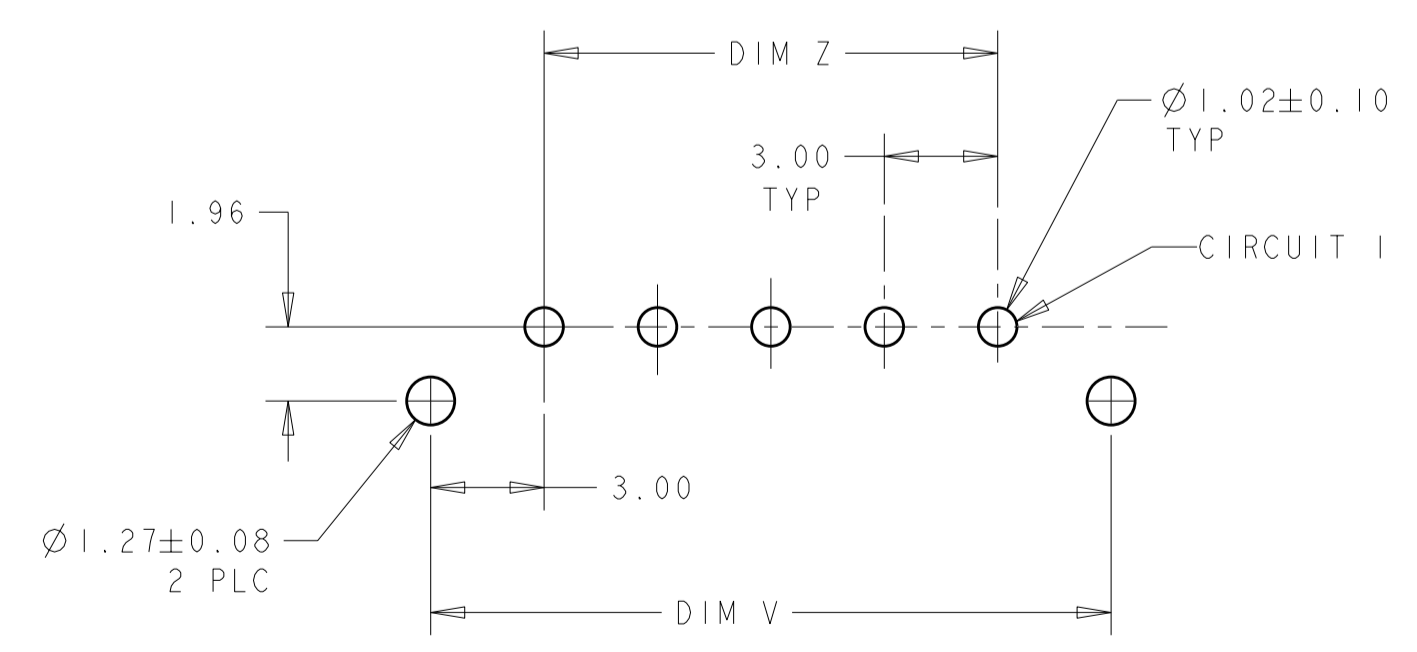
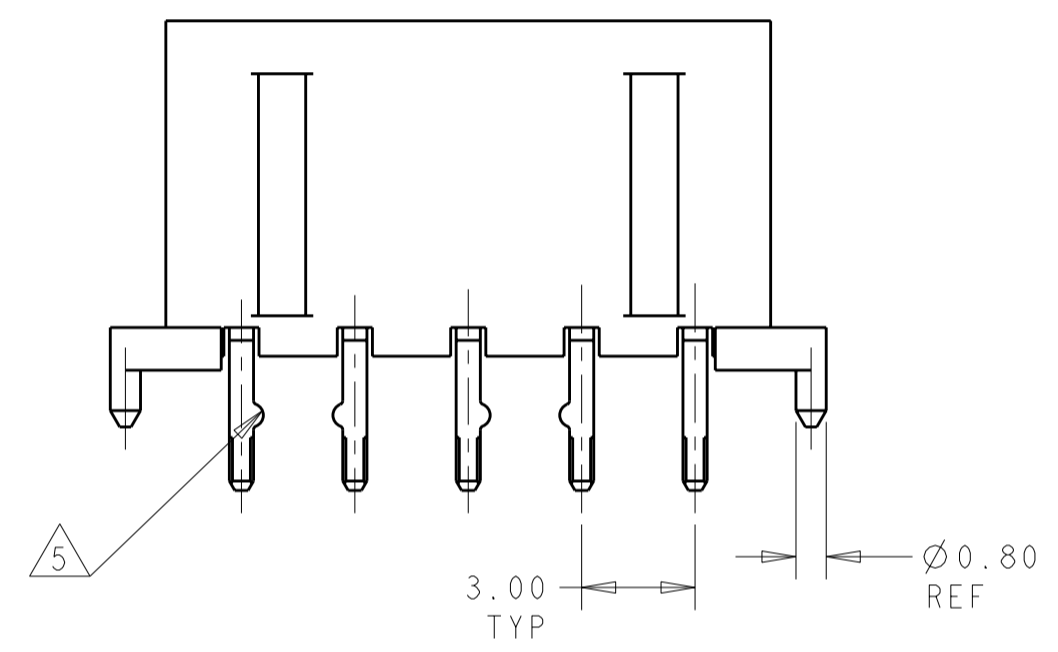


THIS DRAWING IS UNPUBLISHED. RELEASED FOR PUBLICATION 20
 © COPYRIGHT 20 BY - ALL RIGHTS RESERVED.

| LOC | DIST | REVISIONS | | | |
|-----|------|-------------|---------------------------|-----------|--------|
| P | LTR | DESCRIPTION | DATE | DWN | APVD |
| CM | 00 | B | REVISED PER ECO-11-010355 | 07JUN2011 | HMR JR |



- 1 MATERIAL: CONTACTS - BRASS
HOUSING - UL 94V-0 RATED HIGH TEMP NYLON, COLOR BLACK.
- 2 PLATING: CONTACTS - 2.54µm MINIMUM TIN-LEAD OVER 1.27µm MINIMUM NICKEL.
- 4 RECOMMENDED PC BOARD THICKNESS OF 1.57.
- 5 RETENTION BUMP FEATURES FACE EACH OTHER, TYPICAL ALL CONFIGURATIONS.
- 6 PLATING: CONTACTS - 2.54µm MINIMUM MATTE TIN OVER 1.27µm MINIMUM NICKEL.



PCB LAYOUT COMPONENT SIDE 4

| | | | | | | |
|--------|----------------------|-------|-------|-------|-------------|-------------|
| 6 | 1,2,11,12 | 33.00 | 39.14 | 37.00 | 12 | 3-1445050-2 |
| 6 | 1,2,9,10 | 30.00 | 36.14 | 34.00 | 11 | 3-1445050-1 |
| 6 | 1,2,9,10 | 27.00 | 33.14 | 31.00 | 10 | 3-1445050-0 |
| 6 | 1,2,7,8 | 24.00 | 30.14 | 28.00 | 9 | 2-1445050-9 |
| 6 | 1,2,7,8 | 21.00 | 27.14 | 25.00 | 8 | 2-1445050-8 |
| 6 | 1,2,5,6 | 18.00 | 24.14 | 22.00 | 7 | 2-1445050-7 |
| 6 | 1,2,5,6 | 15.00 | 21.14 | 19.00 | 6 | 2-1445050-6 |
| 6 | 1,2,3,4 | 12.00 | 18.14 | 16.00 | 5 | 2-1445050-5 |
| 6 | 1,2,3,4 | 9.00 | 15.14 | 13.00 | 4 | 2-1445050-4 |
| 6 | 1,2 | 6.00 | 12.14 | 10.00 | 3 | 2-1445050-3 |
| 6 | 1,2 | 3.00 | 9.14 | 7.00 | 2 | 2-1445050-2 |
| 2 | 1,2,11,12 | 33.00 | 39.14 | 37.00 | 12 | 1-1445050-2 |
| 2 | 1,2,9,10 | 30.00 | 36.14 | 34.00 | 11 | 1-1445050-1 |
| 2 | 1,2,9,10 | 27.00 | 33.14 | 31.00 | 10 | 1-1445050-0 |
| 2 | 1,2,7,8 | 24.00 | 30.14 | 28.00 | 9 | 1445050-9 |
| 2 | 1,2,7,8 | 21.00 | 27.14 | 25.00 | 8 | 1445050-8 |
| 2 | 1,2,5,6 | 18.00 | 24.14 | 22.00 | 7 | 1445050-7 |
| 2 | 1,2,5,6 | 15.00 | 21.14 | 19.00 | 6 | 1445050-6 |
| 2 | 1,2,3,4 | 12.00 | 18.14 | 16.00 | 5 | 1445050-5 |
| 2 | 1,2,3,4 | 9.00 | 15.14 | 13.00 | 4 | 1445050-4 |
| 2 | 1,2 | 6.00 | 12.14 | 10.00 | 3 | 1445050-3 |
| 2 | 1,2 | 3.00 | 9.14 | 7.00 | 2 | 1445050-2 |
| FINISH | CON POS W/RET BUMP 5 | DIM Z | DIM V | DIM L | NO. OF POSN | PART NUMBER |

THIS DRAWING IS A CONTROLLED DOCUMENT. DWN J.ROOT 08OCT2000
 CHK K.WHITAKER 19OCT2000
 APVD K.WHITAKER 12-MAR-2001

STE TE Connectivity

NAME: VERTICAL THRU HOLE HEADER ASSY, TIN CONTACTS W/PCB POLARIZATION FEATURE, SINGLE ROW, MICRO MATE-N-LOK™

SIZE: A2 CAGE CODE: 00779 DRAWING NO: 1445050 RESTRICTED TO: -

MATERIAL: SEE TABLE WEIGHT: - SCALE: 5:1 SHEET 1 OF 1 REV B

