

Data sheet

Art.No.: 57.504.9055.0

Earth terminal WK 4 SL

Ground DIN rail terminal block with screw connection for mounting on TS 35, nominal cross section 4 mm², width 6 mm, color green/yellow



Art.No.	57.504.9055.0
EAN	4015573458628
Order Unit	100

Certificates / Approvals



ATEX



Technical data

General

Nominal cross section	4 mm ²
Color	Green/yellow
Number of levels	1
Number of clamp positions per level	2
Width/grid dimension	6 mm
Insulating housing	PA666
Inflammability class of insulation material acc. with UL94	V0
Explosion-tested version "Ex e"	Yes
Mounting method	TS35
Terminal blocks for electrical installations	Yes

Technical data

Rated voltage	800 V
Rated impulse voltage	8 kV
Pollution degree	3
Closing plate required	No
Type of insulation material	Thermoplastic
Length	51 mm

Connection Data

Connection type 1	Screw connection
Connection type 2	Screw connection
Minimum cross section solid	0.5 mm ²
Maximum cross section solid	6 mm ²
Minimum cross section fine stranded	0.5 mm ²
Maximum cross section fine stranded	4 mm ²
Wire strip length	9 mm

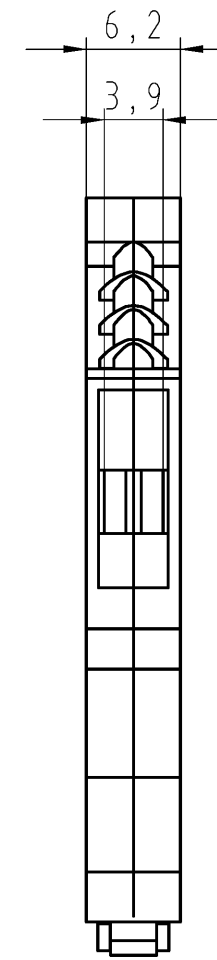
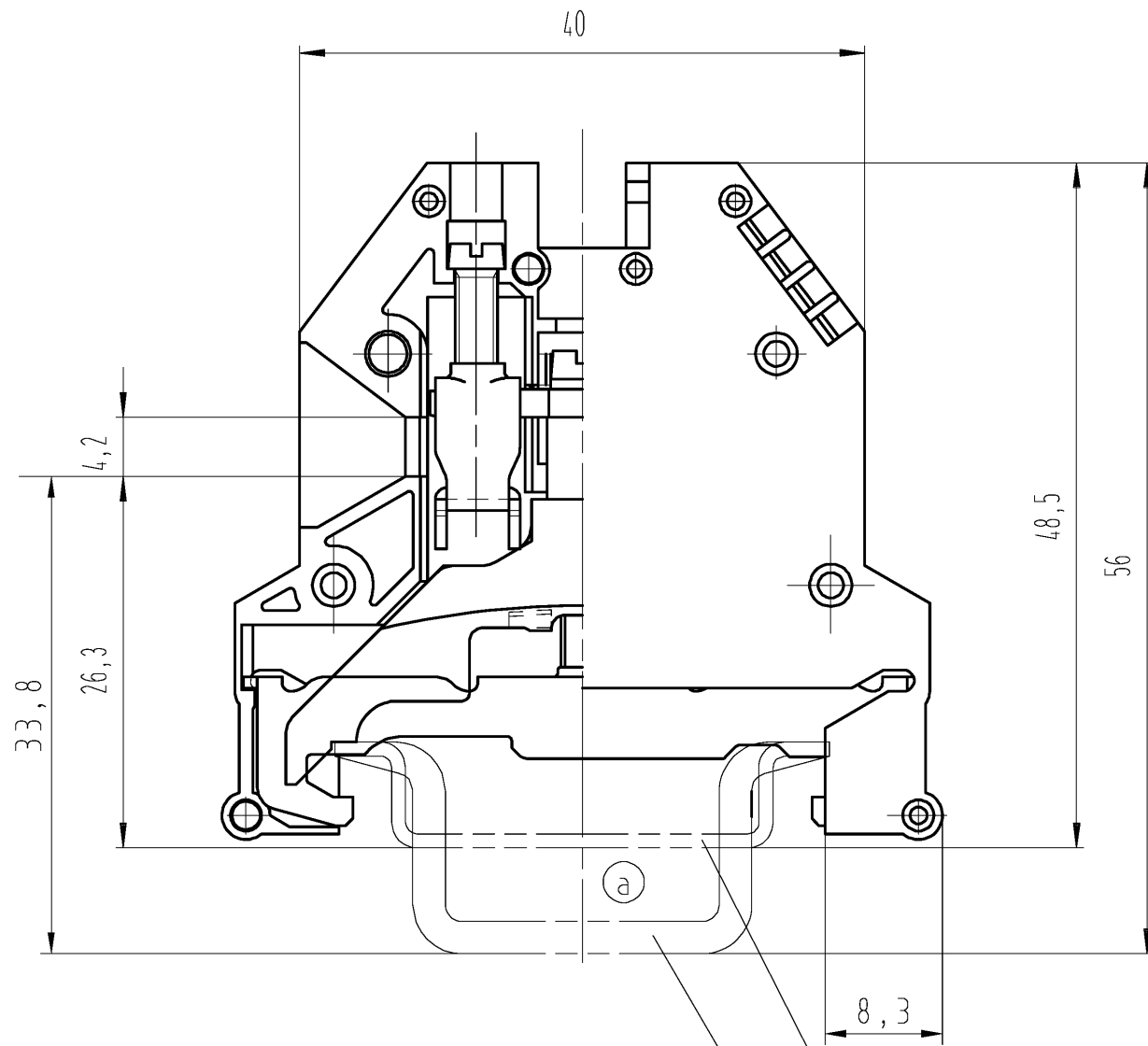
Torque conductor mounting	0.5 Nm
Torque rail mounting	0,5

Technical Data UL/CSA

Cross section UL	22-10 AWG
Cross section CSA	20-10 AWG

Classification

ECLASS 8.1	27141141
ETIM 7.0	EC000901
ETIM 6.0	EC000901
ETIM 5.0	EC000901
ETIM 4.0	EC000901
ETIM 3.0	EC000901

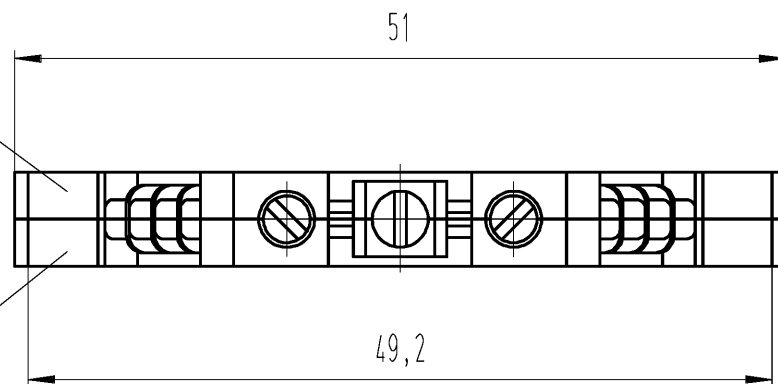


Hutschiene EN 60715-35x7,5
mounting rail EN 60715-35x7,5

Hutschiene EN 60715-35x15
mounting rail EN 60715-35x15

Weitere Daten siehe Katalog
further data see catalog

Farbe: grün
colour: green



Farbe: gelb
colour: yellow

a	Teile-Nr. part-number	Typ type
	57.504.9055.0	WK 4 SL VO

Tolerierung Size ISO 14405 (E)/Tolerance system Size ISO 14405 (E). (This ISO-standard describes the envelope principle. According to the envelope principle the deviations of form and parallelism are limited by the size tolerances).				ja/yes <input checked="" type="checkbox"/> Stoffverbots- und Deklarationsliste nach WN 5020.010 ist einzuhalten. Conformity with Wieland document WN 5020.010 e (list of prohibited / declarable hazardous substances) to be declared!			
Freitoleranz nach General tolerance		CAD - Zeichnung, keine manuellen Änderungen CAD - drawing, no manual modifications allowed		1. Verwendung: - First Use:		Blatt: 1 von 1 Sheet: of 1	
/		Werkstoff/Material		2004	Tag/Date	Name	
/		/		gezeichnet drawn	27.09.	Schmitt J.	
/		Maßstab/Scale		geprüft checked	-	-	
/		2:1		Normgepr. Stand. check	-	-	
/		Vol. mm ³ OfI./Surf. mm ²		Ersatz für/Replacement for: -			
/		/		Type		Benennung/Title	
a		02.06.2015/ Datum / Blatt Date / Sheet		www.wieland www.wieland-electric.com		SCHUTZLEITERKLEMME	
Index		Änderung/Revision				earth terminal	

Weitergabe sowie Vervielfältigung dieses Dokuments, Verwertung und Mitteilung seines Inhalts sind verboten, soweit nicht ausdrücklich gestattet. Die Reproduktion, Distribution und Utilization of this document as well as the communication of its contents to others without express authorization is prohibited.