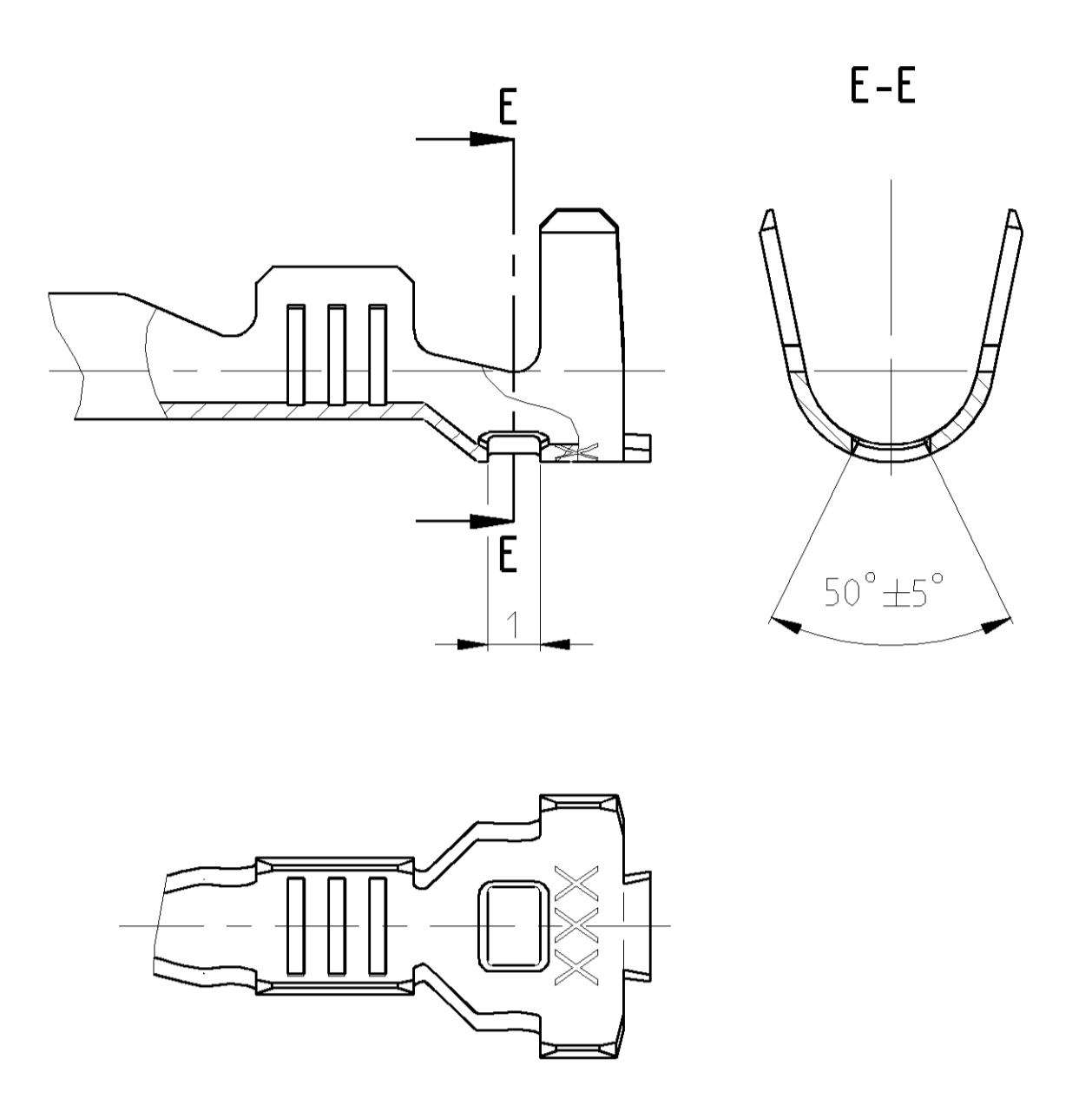
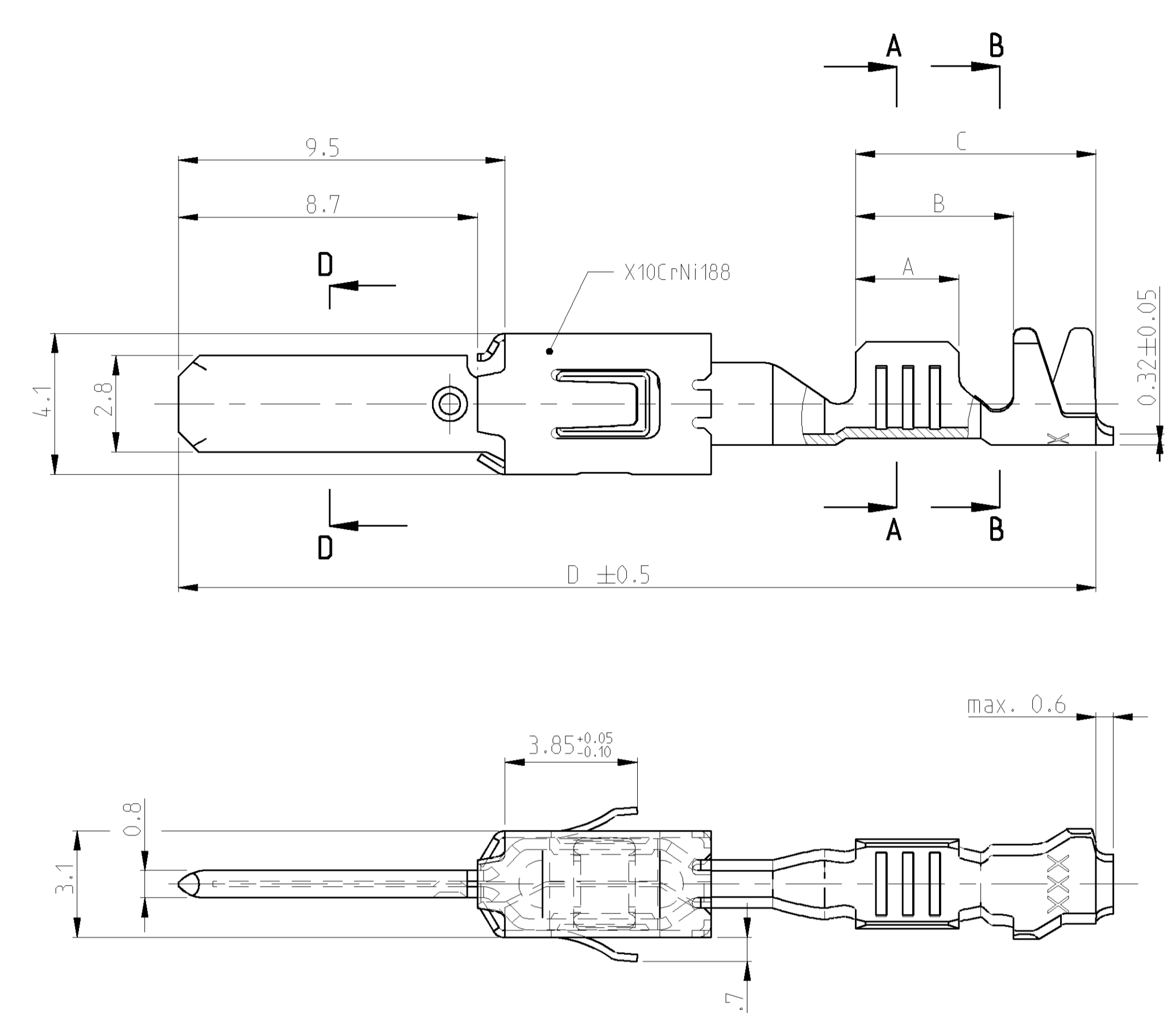


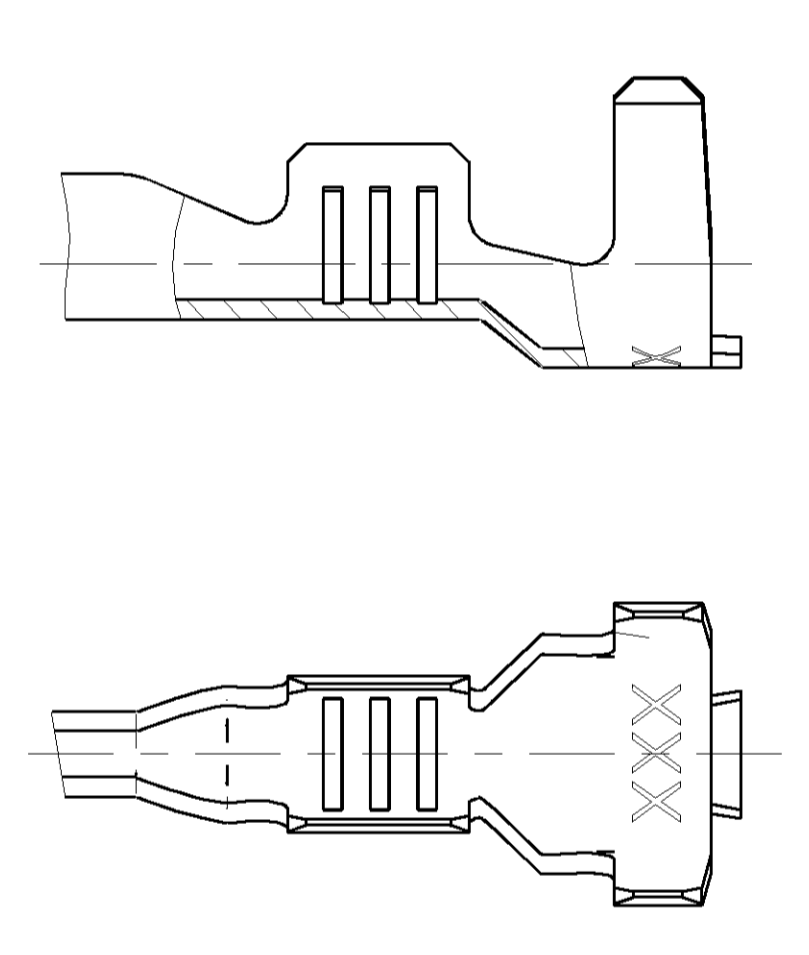
FLR- / FLK - WIRE  
 FLR- / FLK - Leitung

SINGLE WIRE SEAL  
 Einzeldichtungssystem

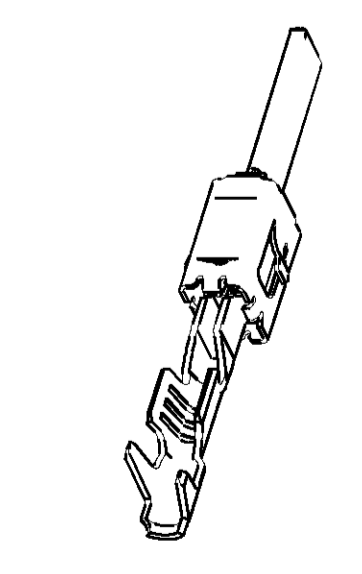


| TE ORDER-NO.<br>STRIPFORM<br>Bandware | REV | TE ORDER-NO.<br>LOOSE PIECE<br>Einzelausführung | MATERIAL<br>Werkstoff | SURFACE<br>Oberfläche | DGB<br>mm <sup>2</sup> | INSULATION<br>Isolationsø | SEE / siehe<br>SECTION A-A<br>Schnitt A-A   | SEE / siehe<br>SECTION B-B<br>Schnitt B-B | SEE / siehe<br>WIRE CRIMP<br>Drahtcrimp   | SEE / siehe<br>SECTION A-A<br>Schnitt A-A        | SEE / siehe<br>SECTION B-B<br>Schnitt B-B | APPLICATION TOOL<br>Anschlagwerkzeug | HAND TOOL<br>Handzange            | TE ORDER-NO.<br>SINGLE WIRE SEAL<br>Einzeldichtungssystem<br>(CAVITY DIAMETER)<br>(Kammerdurchmesser) | TE ORDER-NO.<br>SEALING PLUG<br>Blindstopfen |     |            |                  |            |   |            |   |            |          |            |                  |            |   |                               |                            |   |   |                               |   |   |                               |                              |          |            |     |            |      |            |   |            |   |            |   |            |   |   |   |            |   |            |   |            |   |            |   |            |   |            |   |            |   |            |       |   |                  |          |   |                               |   |  |                                |                              |                                   |     |     |     |      |
|---------------------------------------|-----|---|-----------------------|-----------------------|------------------------|---------------------------|---|---|---|--|---|--------------------------------------|-----------------------------------|---|--|-----|------------|------------------|------------|---|------------|---|------------|----------|------------|------------------|------------|---|-------------------------------|----------------------------|---|---|-------------------------------|---|---|-------------------------------|------------------------------|----------|------------|-----|------------|------|------------|---|------------|---|------------|---|------------|---|---|---|------------|---|------------|---|------------|---|------------|---|------------|---|------------|---|------------|---|------------|-------|---|------------------|----------|---|-------------------------------|---|--|--------------------------------|------------------------------|-----------------------------------|-----|-----|-----|------|
| 1-1719504-2                           | A   | -   | CuSn4                 | △                     | 12 AWG                 | max. 3.0                  | E = 4.0<br>G = 4.2<br>D <sub>Dr</sub> = 2.0 | H = 5.3<br>K = 5.0<br>D = 3.6             | AWG 12 = 2.0  | -  | -   | 1852291-3                            | -                                 | 3.5   | 6.0  | 7.6 | 26.8       | △                | 828922-1   |   |            |   |            |          |            |                  |            |   |                               |                            |   |   |                               |   |   |                               |                              |          |            |     |            |      |            |   |            |   |            |   |            |   |   |   |            |   |            |   |            |   |            |   |            |   |            |   |            |   |            |       |   |                  |          |   |                               |   |  |                                |                              |                                   |     |     |     |      |
| 3-968947-1                            | A   | 3-968966-1                                      | CuSn0.20              | △                     | 2.5 - 4.0<br>FLR       | max. 3.7                  | E = 4.5<br>G = 4.7<br>D <sub>Dr</sub> = 2.3 | H = 6.2<br>K = 6.0<br>D = 4.3             | 4.0 mm <sup>2</sup> = 2.25  | DIMENSION SEE STRIP FORM<br>Masse siehe Bandware |   | MQC APPLICATOR<br>2-541537-2         | 539635-1<br>MATRIZE :<br>539727-2 | 4.3   | 6.0  | 8.5 | 28.5       | 828985<br>(Ø6.4) | 828986-1   |   |            |   |            |          |            |                  |            |   |                               |                            |   |   |                               |   |   |                               |                              |          |            |     |            |      |            |   |            |   |            |   |            |   |   |   |            |   |            |   |            |   |            |   |            |   |            |   |            |   |            |       |   |                  |          |   |                               |   |  |                                |                              |                                   |     |     |     |      |
| 2-968947-2                            | A   | 2-968966-2                                      | CuFe                  | △                     |                        |                           | 1-968947-1                                  | A   | 1-968966-2  | CuSn4  | △   | 2-962916-3                           | E                                 | 2-963749-3  | CuFe   | △   | 2-962916-2 | E                | 2-963749-2 | △ | 2-962916-1 | E | 2-963749-1 | △        | 1-962916-3 | E                | 1-963749-3 | △   | 1-962916-2                    | E                          | 1-963749-2                                  | △   | 1-962916-1                    | E   | 1-963749-1                                  | △                             | 2-962915-3                   | E        | 2-963748-3 | △   | 2-962915-2 | E    | 2-963748-2 | △ | 2-962915-1 | E | 2-963748-1 | △ | 6-962915-6 | E | - | △ | 1-962915-3 | E | 1-963748-3 | △ | 1-962915-2 | E | 1-963748-2 | △ | 1-962915-1 | E | 1-963748-1 | △ | 1-965982-3 | A | 1-965983-3 | CuSn4 | △ | 0.2 - 0.5<br>FLK | max. 2.1 | E = 2.1<br>G = 2.1<br>D <sub>Dr</sub> = 0.8 | H = 4.7<br>K = 4.5<br>D = 3.2 | 0.5 mm <sup>2</sup> = 1.12<br>0.35 mm <sup>2</sup> = 1.05<br>0.2 mm <sup>2</sup> = 0.98 | E = 1.7<br>G = 2.15<br>D <sub>Dr</sub> = 0.8 | H = 4.2<br>K = 4.15<br>R = 2.4 | MQC APPLICATOR<br>2-878558-2 | 539635-1<br>MATRIZE :<br>539737-2 | 2.5 | 4.9 | 6.5 | 26.8 |
| 2-962843-3                            | C   | 2-963747-3                                      | CuFe                  | △                     | 1.0 - 2.5<br>FLK       | 2.4 - 3.7                 | E = 3.6<br>G = 3.8<br>D <sub>Dr</sub> = 1.7 | H = 5.5<br>K = 5.7<br>D = 3.2             | 2.5 mm <sup>2</sup> = 1.88<br>1.5 mm <sup>2</sup> = 1.58                                | E = 2.8<br>G = 3.9<br>D <sub>Dr</sub> = 1.7      | H = 4.2<br>K = 5.1<br>R = 2.4             | MQC APPLICATOR<br>2-878552-2         | 734417-3                          | 3.6   | 5.2  | 8.9 | 28.6       |                  |            |   |            |   |            |          |            |                  |            |   |                               |                            |   |   |                               |   |   |                               |                              |          |            |     |            |      |            |   |            |   |            |   |            |   |   |   |            |   |            |   |            |   |            |   |            |   |            |   |            |   |            |       |   |                  |          |   |                               |   |  |                                |                              |                                   |     |     |     |      |
| 2-962843-2                            | C   | 2-963747-2                                      | CuSn4                 | △                     |                        |                           | 1-962843-1                                  | C   | 1-963747-1  | CuSn4  | △   | 1-962843-2                           | C                                 | 1-963747-2  | CuSn4  | △   | 1-962843-1 | C                | 1-963747-1 | △ | 3-968946-1 | A | 3-968965-1 | CuSn0.20 | △          | 2.5 - 4.0<br>FLR | 2.7 - 3.7  | E = 4.5<br>G = 4.7<br>D <sub>Dr</sub> = 2.3 | H = 5.7<br>K = 5.9<br>D = 3.3 | 4.0 mm <sup>2</sup> = 2.25 | E = 3.4<br>G = 4.7<br>D <sub>Dr</sub> = 2.3 | H = 4.6<br>K = 5.1<br>R = 2.6               | MQC APPLICATOR<br>2-541534-2  | 539635-1<br>MATRIZE :<br>539723-2   | 4.3   | 6.6                           | 8.5                          | 28.5     |            |     |            |      |            |   |            |   |            |   |            |   |   |   |            |   |            |   |            |   |            |   |            |   |            |   |            |   |            |       |   |                  |          |   |                               |   |  |                                |                              |                                   |     |     |     |      |
| 2-962842-3                            | E   | 2-963746-3                                      | CuFe                  | △                     | 1.0 - 2.5<br>FLR       | 2.1 - 2.9                 | E = 3.6<br>G = 3.8<br>D <sub>Dr</sub> = 1.7 | H = 4.3<br>K = 4.5<br>D = 2.6             | 2.5 mm <sup>2</sup> = 1.88<br>2.0 mm <sup>2</sup> = 1.73<br>1.5 mm <sup>2</sup> = 1.58  | E = 2.8<br>G = 3.9<br>D <sub>Dr</sub> = 1.7      | H = 3.6<br>K = 4.1<br>R = 2.1             | MQC APPLICATOR<br>2-878551-2         | 734417-2                          | 3.6   | 5.2  | 8.2 | 27.9       |                  |            |   |            |   |            |          |            |                  |            |   |                               |                            |   |   |                               |   |   |                               |                              |          |            |     |            |      |            |   |            |   |            |   |            |   |   |   |            |   |            |   |            |   |            |   |            |   |            |   |            |   |            |       |   |                  |          |   |                               |   |  |                                |                              |                                   |     |     |     |      |
| 2-962842-2                            | E   | 2-963746-2                                      | CuSn4                 | △                     |                        |                           | 1-962842-1                                  | E   | 1-963746-1  | CuFe   | △   | 2-962841-3                           | F                                 | 2-963745-3  | CuFe   | △   | 2-962841-2 | F                | 2-963745-2 | △ | 2-962841-1 | F | 2-962841-1 | F        | 2-962841-1 | F                | 2-963745-3 | CuSn4                                       | △                             | 0.5 - 1.0<br>FLR           | 1.4 - 2.1                                   | E = 2.5<br>G = 2.8<br>D <sub>Dr</sub> = 1.1 | H = 3.2<br>K = 3.4<br>D = 1.8 | 1.0 mm <sup>2</sup> = 1.36<br>0.75 mm <sup>2</sup> = 1.27<br>0.5 mm <sup>2</sup> = 1.18 | E = 2.2<br>G = 2.8<br>D <sub>Dr</sub> = 1.1 | H = 2.8<br>K = 3.0<br>R = 1.6 | MQC APPLICATOR<br>2-878550-2 | 734417-1 | 3.0        | 4.6 | 7.0        | 26.7 |            |   |            |   |            |   |            |   |   |   |            |   |            |   |            |   |            |   |            |   |            |   |            |   |            |       |   |                  |          |   |                               |   |  |                                |                              |                                   |     |     |     |      |
| 2-963860-3                            | B   | 2-963861-3                                      | CuFe                  | △                     | 0.2 - 0.5<br>FLR       | 1.3 - 1.6                 | E = 2.1<br>G = 2.1<br>D <sub>Dr</sub> = 0.8 | H = 2.9<br>K = 2.9<br>D = 1.4             | 0.5 mm <sup>2</sup> = 1.12<br>0.35 mm <sup>2</sup> = 1.05<br>0.2 mm <sup>2</sup> = 0.98 | E = 1.7<br>G = 2.1<br>D <sub>Dr</sub> = 0.8      | H = 2.5<br>K = 2.5<br>R = 1.4             | MQC APPLICATOR<br>2-878549-2         | 734538-1                          | 2.5   | 3.7  | 5.8 | 25.5       |                  |            |   |            |   |            |          |            |                  |            |   |                               |                            |   |   |                               |   |   |                               |                              |          |            |     |            |      |            |   |            |   |            |   |            |   |   |   |            |   |            |   |            |   |            |   |            |   |            |   |            |   |            |       |   |                  |          |   |                               |   |  |                                |                              |                                   |     |     |     |      |

DESIGN FOR PN 968946  
 Ausführung PN 968946



- NOTES  
 Bemerkungen
- △ CONTACT AREA PRE SILVER MIN. 3 µm  
 CANTILEVER SPRING PLAIN  
 Kontaktzone vorversilbert min. 3 µm  
 Ueberfeder blank
  - △ CONTACT BODY NI-PLATING MIN. 0.5 µm; CONTACT AREA PRE-GOLD MIN. 0.6 µm  
 OVER NICKEL; CRIMP AREA PRE-TIN  
 CANTILEVER SPRING PLAIN  
 Kontaktkörper vernickelt min. 0.5 µm; Kontaktzone vorvergoldet min. 0.6 µm ueber Nickel  
 Crimpzone vorverzinkt; Ueberfeder blank
  - △ IN THIS AREA CRACK SHAPING AT THE SURFACE PERMISSIBLE  
 In diesem Bereich Rissbildung in der Oberfläche zulässig
  - △ PRE-TIN MIN. 1 µm; CANTILEVER SPRING PLAIN  
 vorverzinkt min. 1 µm; Ueberfeder blank
  - △ AWG 12 TXL 828905-1 OR / oder 282536-1  
 AWG 12 GXL 638865-1
  - △ ATTENTION! CONSTRUCTION OF THE CONTACT CAVITY IN THE AREA OF THE SINGLE WIRE SEAL IS Ø6.4<sup>+0.1</sup><sub>-0.05</sub>  
 Achtung! Die Kammer ist im Bereich der Einzeldichtung auf Ø6.4<sup>+0.1</sup><sub>-0.05</sub> auszuliegen
  - △ PUNCHED WITH VOLATILIZING STAMPING-OIL  
 Gestanzt mit verfluechtigendem Stanzoel



| TE ORDER-NO.<br>STRIPFORM<br>Bandware | REV | TE ORDER-NO.<br>LOOSE PIECE<br>Einzelausführung | MATERIAL<br>Werkstoff | SURFACE<br>Oberfläche | DGB<br>mm <sup>2</sup> | INSULATION<br>Isolationsø | WIRE CRIMP<br>Drahtcrimp                                  | WIRE CRIMP<br>Drahtcrimp                      | WIRE CRIMP<br>Drahtcrimp  | APPLICATION TOOL<br>Anschlagwerkzeug                | HAND TOOL<br>Handzange | TE ORDER-NO.<br>SINGLE WIRE SEAL<br>Einzeldichtungssystem<br>(CAVITY DIAMETER)<br>(Kammerdurchmesser) | TE ORDER-NO.<br>SEALING PLUG<br>Blindstopfen |
|---------------------------------------|-----|---|-----------------------|-----------------------|------------------------|---------------------------|---|---|---|---|------------------------|---|--|
|                                       |     |   |                       |                       |                        |                           | STRIP FORM<br>INSUL. CRIMP<br>Isolationscrimp<br>Bandware | WIRE CRIMP<br>HEIGHT CH<br>Drahtcrimphoehe CH | WIRE CRIMP<br>INSUL. CRIMP<br>Isolationscrimp<br>Einzelausführung | EXTRACTION TOOL<br>Ausdruckwerkzeug<br>No. 968107-1 |                        |   |  |
|                                       |     |   |                       |                       |                        |                           | CRIMP DIMENSION mm<br>Crimpabmessungen mm                 |   |   |   |                        |   |  |

| REV | DATE       | DESCRIPTION  | BY     | CHK   | APPD |
|-----|------------|--|--------|-------|------|
| A11 | 05/01/08   | Wrong notes on Table corrected                           | Arb    | Brun  |      |
| A12 | 02/04/09   | 0.32±0.05 added  | Mey    | Brun  |      |
| A13 | 30/08/09   | Column Sealing plug and Text SINGLE WIRE SEAL ... added  | Fru    | Brun  |      |
| A14 | 27/08/2010 | Wrong dimensions in area B5-6 corrected to H4-6 and K5-9 | Kirsch | Schus |      |

|                  |             |                                       |   |
|------------------|-------------|---------------------------------------|---|
| TYCO ELECTRONICS | 14 JUN 2010 | Il. Gerlach                           | 44625 Bestheim (Germany)                          |
| PROJECT SPEC     | 105-18063   | PRODUCT GROUP DRAWING FOR TAB 2.8x0.8 | Produktgruppenzeichnung fuer Flachstecker 2.8x0.8 |
| APPLICATION SPEC | 114-18051   | SIZE                                  | A0  |
| WEIGHT           | 1355052     | SCALE                                 | B-1   |