

Adjustable spanners, imperial

4025



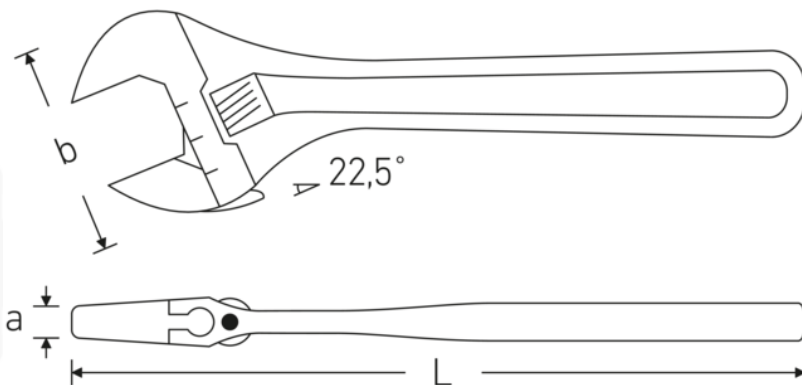
Product no. 40250112
GTIN 4018754299539
Model 4025 12

Label. Adjustable spanner max. size 39mm L.311mm

- Properties.**
- clockwise adjustment screw
 - jaw angled 22.5°
 - Chrome Alloy Steel, chrome-plated
 - DIN 3117 / ISO 6787 Form B / ASME B107.100



Technical drawing.



Technical attributes.

a	19 mm
Width mm (b)	84 mm
DIN	DIN 3117 / ISO 6787 Form B
Size	12
Length mm (L)	311 mm
Alloy	Chrome Vanadium Steel
Surface	chrome-plated
Max. spanner size	39 mm

Logistics data.

Depth mm (IFS)	310
Width mm (IFS)	82
Height mm (IFS)	19
WEEE/ElektroG	nicht ear-pflichtig
Length (packaged, mm)	320
Width (packaged, mm)	115
Height (packaging, mm)	55
Volume (packaged, dm3)	2.024 dm3
Product no.	40250112
Weight (gross, kg)	3,600
Weight PAP (kg)	0,000
Weight PVC (kg)	0,016
GTIN	4018754299539
Country of origin AWR	SPAIN
Region of origin	Ausländischer Ursprung
Customs tariff no.	82041200
Packing standard	5
Weight (g)	805 g

Variants.

Product no.	Model No. (ERP)	Description	GTIN
40250104	4025 4	Adjustable spanner max. size 13mm L.115mm	4018754299492
40250106	4025 6	Adjustable spanner max. size 24mm L.161mm	4018754299508
40250108	4025 8	Adjustable spanner max. size 30mm L.207mm	4018754299515
40250110	4025 10	Adjustable spanner max. size 34mm L.259mm	4018754299522
40250112	4025 12	Adjustable spanner max. size 39mm L.311mm	4018754299539
40250115	4025 15	Adjustable spanner max. size 44mm L.386mm	4018754299546
40250118	4025 18	Adjustable spanner max. size 53mm L.462mm	4018754299553

GTIN.





STAHLWILLE Eduard Wille GmbH

Lindenallee 27 · 42349 Wuppertal · Germany · Phone: +49 202 4791-0

info@stahlwille.de · www.stahlwille.com

© STAHLWILLE Eduard Wille GmbH, Wuppertal