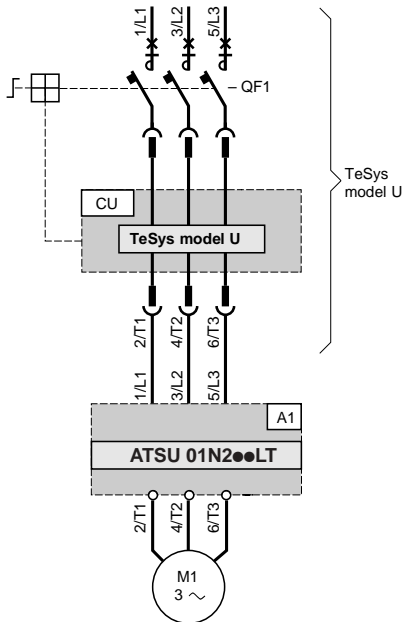


Soft starters for asynchronous motors

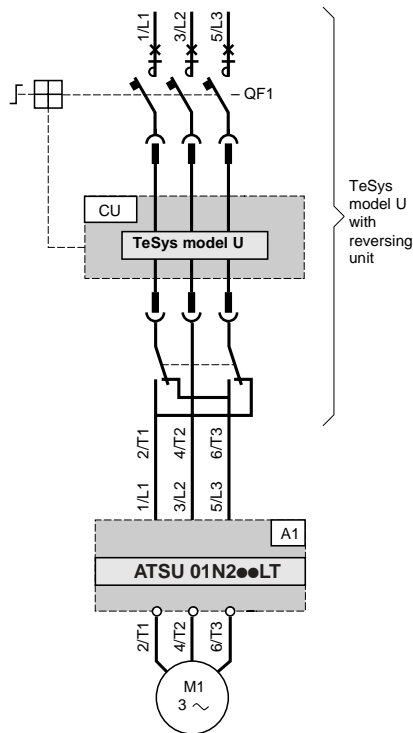
Altistart U01 and TeSys model U
For 0.75 to 15 kW motors

ATSU 01N2●●LT soft start/soft stop units

Power wiring



Power wiring with reversing unit



Compatible components (For full references, see pages 60545/2 and 60545/3 or refer to our catalogue: "Motor starter solutions - Control and protection components")

Code	Description
A1	Soft start/soft stop unit
QF1	TeSys model U controller-starter
CU	TeSys model U control unit

Soft starters for asynchronous motors

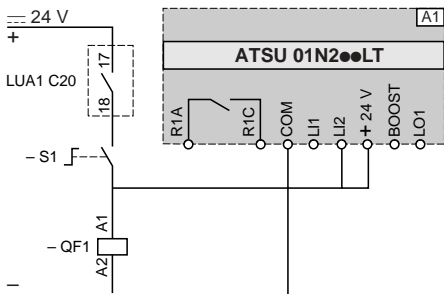
Altistart U01 and TeSys model U

For 0.75 to 15 kW motors

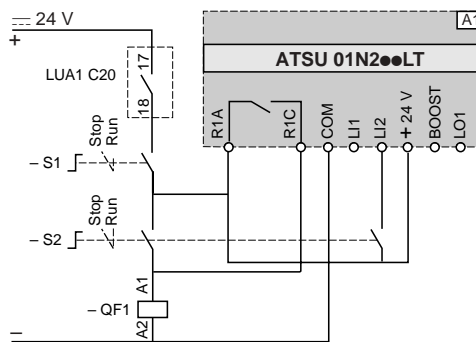
ATSU 01N2●●LT soft start/soft stop units (continued)

Automatic 2-wire control

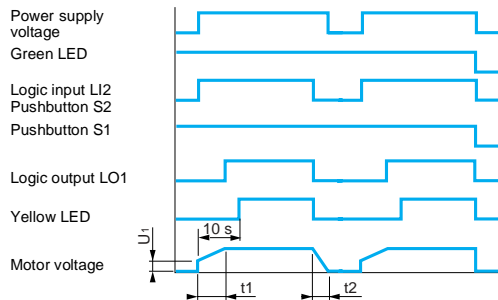
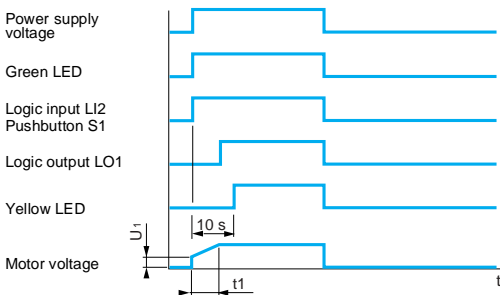
Without deceleration



With and without deceleration

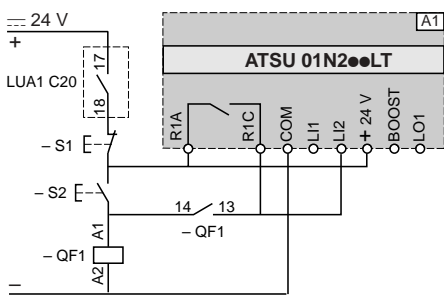


Functional diagrams

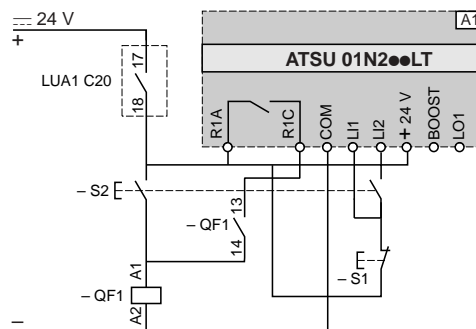


Automatic 3-wire control

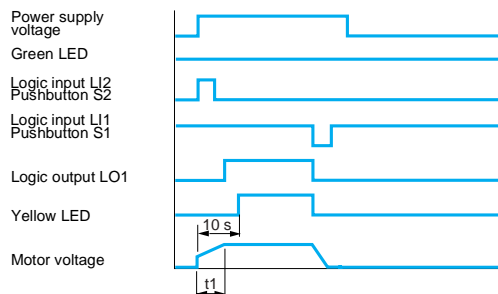
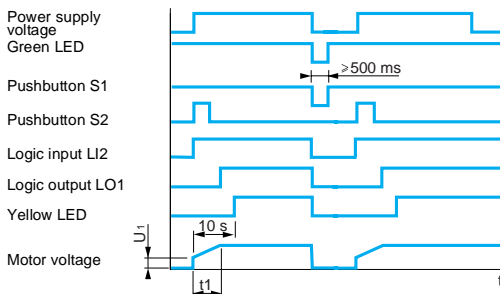
Without deceleration



With deceleration



Functional diagrams



A1: Soft start/soft stop unit
S1, S2: XB4 B or XB5 B pushbuttons
QF1: TeSys model U controller-starter
t1: Acceleration time can be controlled by a potentiometer
t2: Deceleration time can be controlled by a potentiometer
U_i: Starting time can be controlled by a potentiometer

Soft starters for asynchronous motors

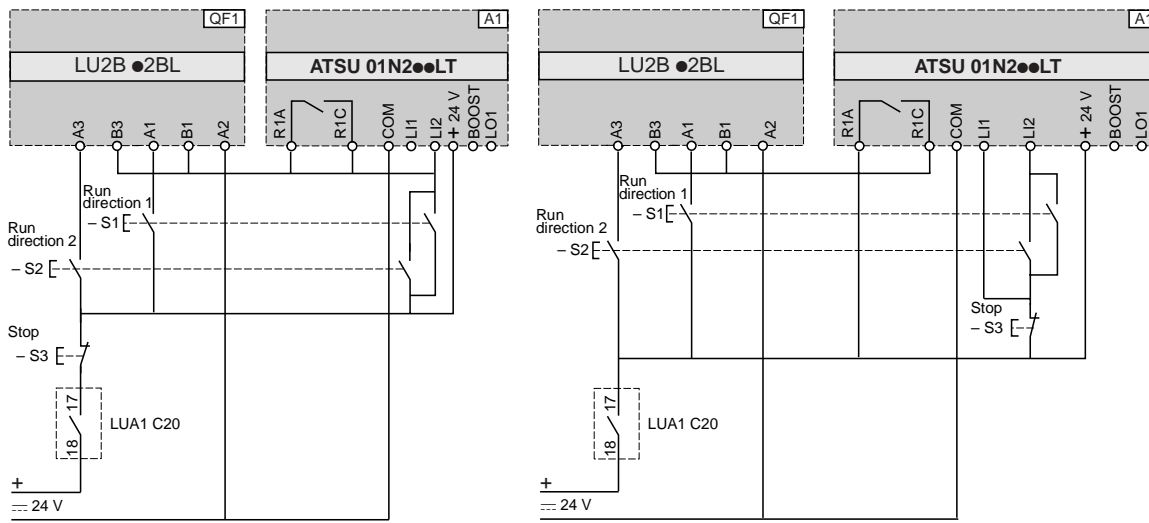
Altistart U01 and TeSys model U
For 0.75 to 15 kW motors

ATSU 01N2●●LT soft start/soft stop units (continued)

Automatic 3-wire control, with reversing unit

Without deceleration

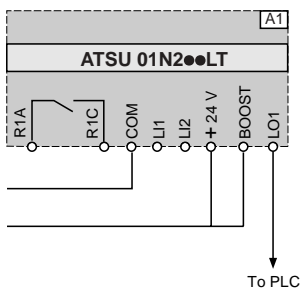
With deceleration



QF1: TeSys model U controller-starter with reversing unit
A1: Soft start/soft stop unit
S1, S2, S3: XB4 B or XB5 B pushbuttons
S3: minimum depression time 500 ms

QF1: TeSys model U controller-starter with reversing unit
A1: Soft start/soft stop unit
S1, S2, S3: XB4 B or XB5 B pushbuttons

Boost on starting and end of starting signal



A1: Soft start/soft stop unit

Soft starters for asynchronous motors

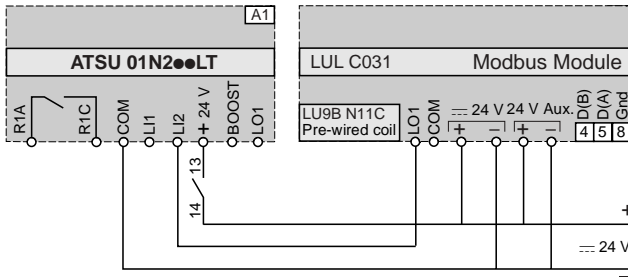
Altistart U01 and TeSys model U

For 0.75 to 15 kW motors

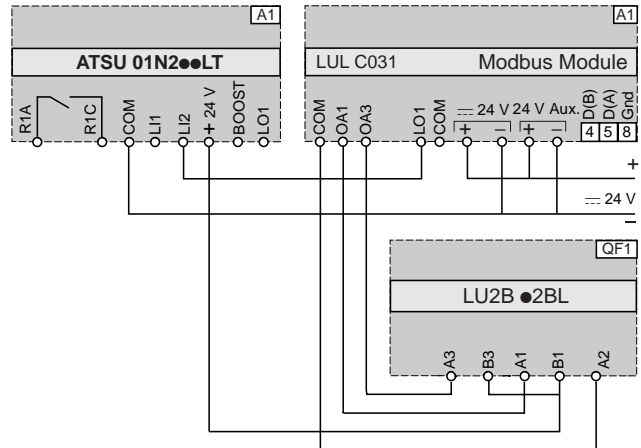
ATSU 01N2●●LT soft start/soft stop units (continued)

Automatic control with Modbus communication module, with and without deceleration

Without reversing unit



With reversing unit



Function	Register	Bit	Value
Powering down TeSys U and ATSU			
-	704	0	0
Automatic control without deceleration			
Run	700	0	1
Stop	704	0	0
Automatic control with deceleration			
Run	700	0	1
Soft stop	700	0	0

Function	Register	Bit	Value
Powering up TeSys U and ATSU			
Forward	704	0	1
Reverse	704	1	1
Powering down TeSys U and ATSU			
Forward	704	0	0
Reverse	704	1	0
Automatic control without deceleration			
Run	700	0	1
Stop forward	704	0	0
Stop reverse	704	1	0
Automatic control with deceleration (forward or reverse)			
Run	700	0	1
Soft stop	700	0	0

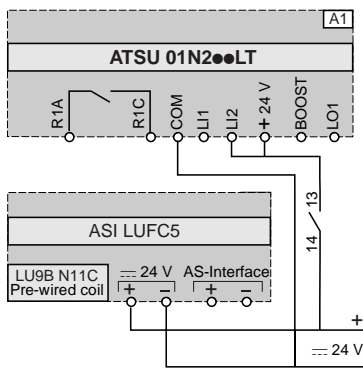
A1: Soft start/soft stop unit

A1: Soft start/soft stop unit

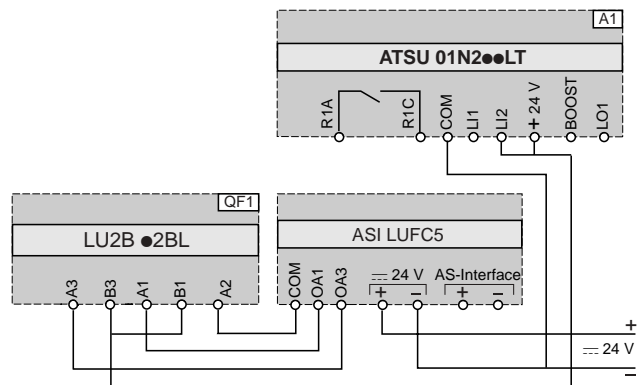
QF1: TeSys model U controller-starter with reversing unit

Automatic control with AS-Interface communication module, without deceleration

Without reversing unit



With reversing unit



Function	Bit	Value
Power-up and automatic control without deceleration		
Run	D0	1
Stop	D0	0

Function	Bit	Value
Power-up and automatic control without deceleration		
Run forward	D0	1
Stop	D0	0
Run reverse	D1	1
Stop	D1	0

A1: Soft start/soft stop unit

A1: Soft start/soft stop unit

QF1: TeSys model U controller-starter with reversing unit