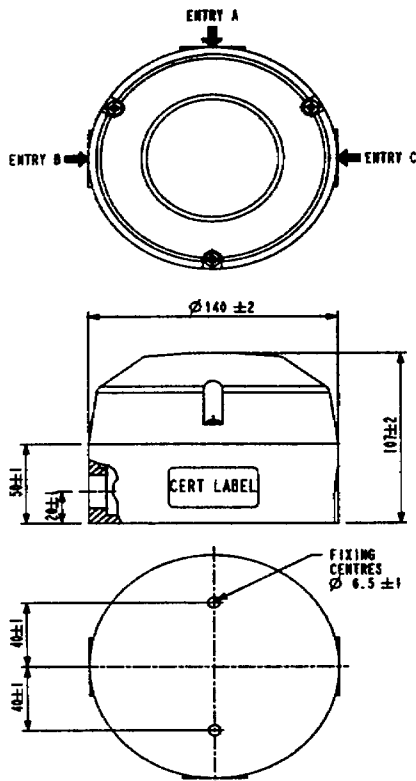


Specification

Certification:	CENELEC EN50014, 20 & 39. BASEEFA certificate No. Ex 96D2446 (apparatus). BASEEFA certificate No. Ex 96D2447 (system). EExia IIC T4 or EExia IIB T4. Zones 0, 1 & 2.
Material:	UV stable glass reinforced polyester body. Clear polycarbonate cover/lens. Retained stainless steel cover screws.
Finish:	Self coloured red as standard or epoxy coated to Customer specification.
Tube Energy:	IIB version 0.5 Joules. IIC version 0.4 Joules.
Weight:	1.4 kg.
Operating Temperature:	-55°C to +60°C.
Ingress Protection:	IP66.
Tube Life:	>1 x 10 ⁶ flashes.
Voltage:	12V or 24V via suitable barrier.
Current Consumption:	24V IIB model - 71mA max. nominal. 24V IIC model - 55mA max. nominal. 12V IIB & IIC models - 52mA max. nominal.
Tube Type:	Xenon discharge.
Lens Colour:	Clear as standard. Coloured options available.
Terminals:	8 x 2.5mm ² .
Flash Rate:	1 flash per second.
Labels:	Duty and tag labels available.
Cable Entries:	Up to 3 x M20 via knockouts.

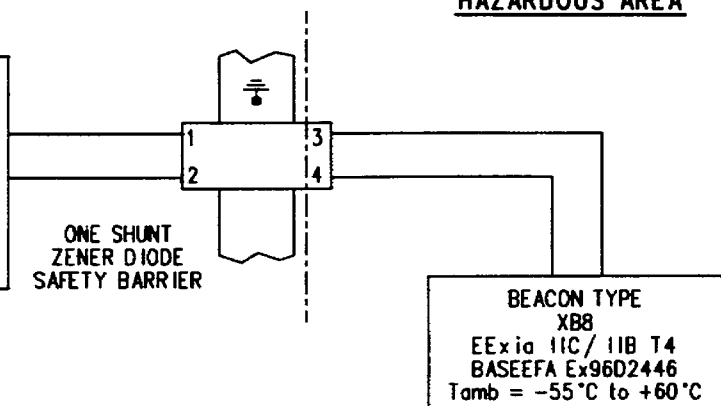


INSTALLATION DRAWING

NON-HAZARDOUS AREA

NON-HAZARDOUS AREA APPARATUS

UNSPECIFIED EXCEPT THAT IT MUST NOT BE SUPPLIED FROM NOR CONTAIN UNDER NORMAL OR ABNORMAL CONDITIONS, A SOURCE OF POTENTIAL WITH RESPECT TO EARTH IN EXCESS OF 250 VOLTS R.M.S OR 250 VOLTS DC.



NOTE : REFER TO UNIT INSTRUCTION SHEET FOR FULL INSTALLATION DRAWING

Ordering Requirements

The following code is designed to help in the selection of the correct unit. Build up the reference number by inserting the code for each component into the appropriate box.

Unit Type	Voltage/ Gas Group	Lens Colour	Labels	Body Colour																																														
XBB																																																		
<table border="1"> <thead> <tr> <th>Voltage</th> <th>Gas Group</th> <th>Code</th> </tr> </thead> <tbody> <tr><td>12V</td><td>IIB</td><td>1</td></tr> <tr><td>12V</td><td>IIC</td><td>2</td></tr> <tr><td>12V</td><td>Uncertified</td><td>3</td></tr> <tr><td>24V</td><td>IIB</td><td>4</td></tr> <tr><td>24V</td><td>IIC</td><td>5</td></tr> <tr><td>24V</td><td>Uncertified</td><td>6</td></tr> </tbody> </table>	Voltage	Gas Group	Code	12V	IIB	1	12V	IIC	2	12V	Uncertified	3	24V	IIB	4	24V	IIC	5	24V	Uncertified	6	<table border="1"> <thead> <tr> <th>Colour</th> <th>Code</th> </tr> </thead> <tbody> <tr><td>Clear (Standard)</td><td>C</td></tr> <tr><td>Special</td><td>S*</td></tr> <tr><td colspan="2">*Please specify</td></tr> </tbody> </table>	Colour	Code	Clear (Standard)	C	Special	S*	*Please specify		<table border="1"> <thead> <tr> <th>Label</th> <th>Code</th> </tr> </thead> <tbody> <tr><td>Duty</td><td>D*</td></tr> <tr><td>Tag</td><td>T*</td></tr> <tr><td>None</td><td>N</td></tr> <tr><td colspan="2">*Please specify wording</td></tr> </tbody> </table>	Label	Code	Duty	D*	Tag	T*	None	N	*Please specify wording		<table border="1"> <thead> <tr> <th>Colour</th> <th>Code</th> </tr> </thead> <tbody> <tr><td>Natural Red</td><td>R</td></tr> <tr><td>Special</td><td>S*</td></tr> <tr><td colspan="2">*Please specify</td></tr> </tbody> </table>	Colour	Code	Natural Red	R	Special	S*	*Please specify	
Voltage	Gas Group	Code																																																
12V	IIB	1																																																
12V	IIC	2																																																
12V	Uncertified	3																																																
24V	IIB	4																																																
24V	IIC	5																																																
24V	Uncertified	6																																																
Colour	Code																																																	
Clear (Standard)	C																																																	
Special	S*																																																	
*Please specify																																																		
Label	Code																																																	
Duty	D*																																																	
Tag	T*																																																	
None	N																																																	
*Please specify wording																																																		
Colour	Code																																																	
Natural Red	R																																																	
Special	S*																																																	
*Please specify																																																		

All the above specifications, dimensions, weights and tolerances are nominal (typical) and MEDC reserve the right to vary all data without prior notice. No liability is accepted for any consequence of use.

MEDC