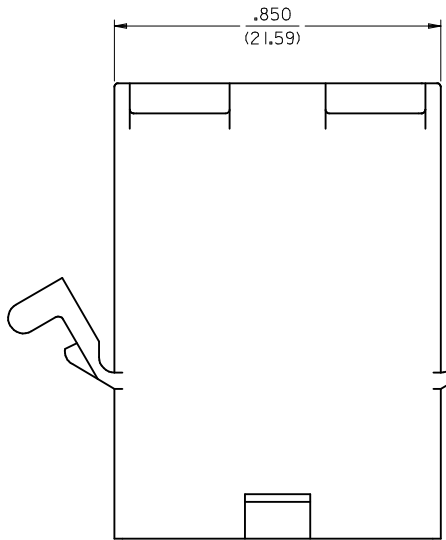
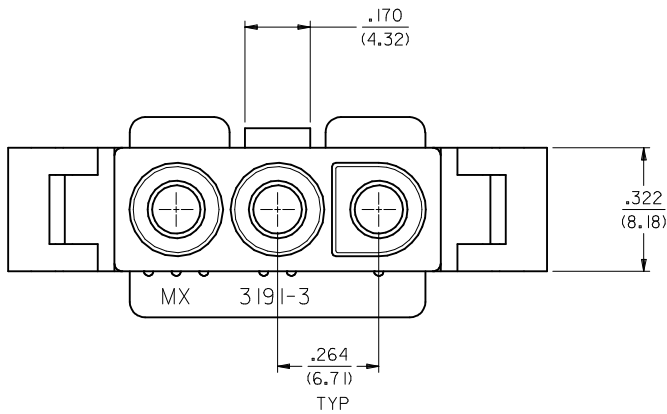


.215
(5.46) SQ, TYP

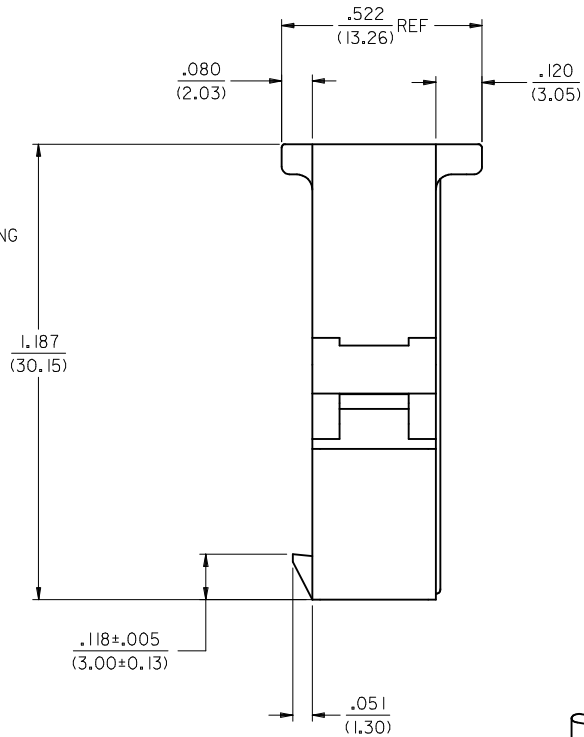


OPTIONAL MOUNTING
EARS, 2 PL, SEE
DETAIL "A", SHT 3

.390
(9.91)

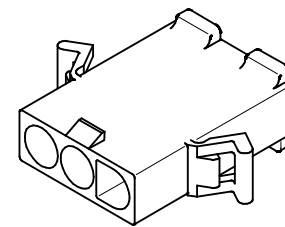


.264
(6.71)
TYP



.118±.005
(3.00±0.13)

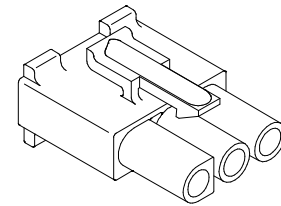
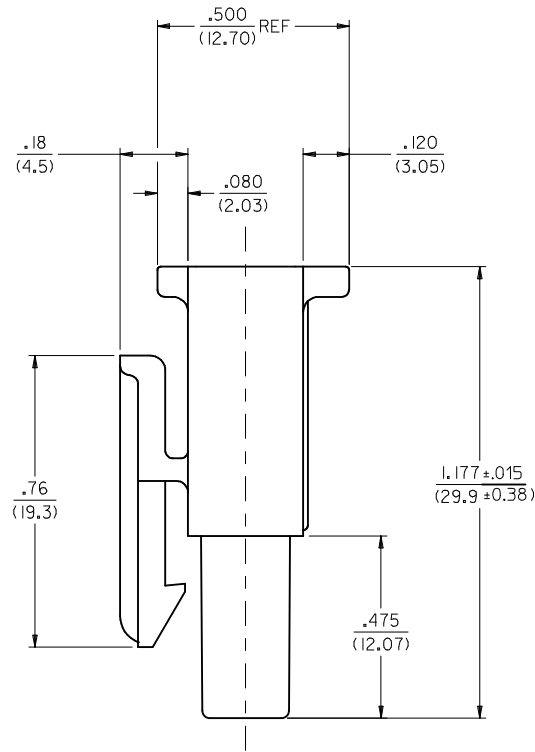
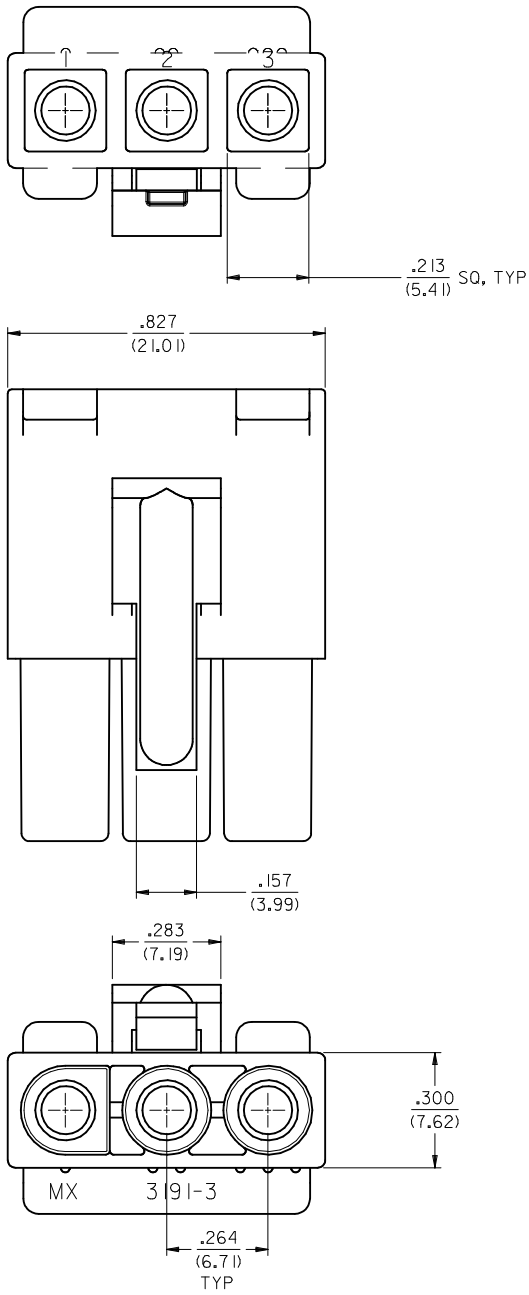
.051
(1.30)



PLUG

3	L2
2	L2
1	L2
SHT. REV.	

UPDATE REV. LEVELS EC NO: UCP2014-2106 DRW: AELHAG 2013/11/12 CHKD: JELL 2013/11/12 APPR: FSMITH 2013/11/13	QUALITY SYMBOLS ▽=0 ▽=0	GENERAL TOLERANCES (UNLESS SPECIFIED) <table border="1"> <thead> <tr> <th></th> <th>mm</th> <th>INCH</th> </tr> </thead> <tbody> <tr> <td>4 PLACES ±</td> <td>---</td> <td>---</td> </tr> <tr> <td>3 PLACES ±</td> <td>---</td> <td>±.010</td> </tr> <tr> <td>2 PLACES ±</td> <td>0.25</td> <td>±.015</td> </tr> <tr> <td>1 PLACE ±</td> <td>0.38</td> <td>---</td> </tr> </tbody> </table>		mm	INCH	4 PLACES ±	---	---	3 PLACES ±	---	±.010	2 PLACES ±	0.25	±.015	1 PLACE ±	0.38	---	DIMENSION STYLE IN/MM	SCALE 4:1	DESIGN UNITS INCH	THIRD ANGLE PROJECTION
		mm	INCH																		
	4 PLACES ±	---	---																		
	3 PLACES ±	---	±.010																		
2 PLACES ±	0.25	±.015																			
1 PLACE ±	0.38	---																			
DRAWN BY GWC	DATE 1996/01/08	CHECKED BY RW	DATE 1996/01/08	TITLE .093/(2.36) HOUSING PLUG AND RECEPTACLE, 3 CKT .264/(6.71) CTRS.																	
APPROVED BY RAS	DATE 1996/01/08	MATERIAL NO. SEE CHART			DOCUMENT NO. SD-3191-3*	SHEET NO. 1 OF 3															
DRAFT WHERE APPLICABLE MUST REMAIN WITHIN DIMENSIONS	SIZE C	THIS DRAWING CONTAINS INFORMATION THAT IS PROPRIETARY TO MOLEX INCORPORATED AND SHOULD NOT BE USED WITHOUT WRITTEN PERMISSION																			



RECEPTACLE

REMOVE DIM. 28.75 EC NO: UCP2014-2106 DRW: AELHAG 2013/11/12 CHKD: JELL 2013/11/12 APPR: FSMITH 2013/11/13 L2	QUALITY SYMBOLS ▽=0 ▽=0	GENERAL TOLERANCES (UNLESS SPECIFIED)		DIMENSION STYLE IN/MM	SCALE 4:1	DESIGN UNITS INCH	THIRD ANGLE PROJECTION		
		4 PLACES ± --- ± --- 3 PLACES ± --- ± .010 2 PLACES ± 0.25 ± .015 1 PLACE ± 0.38 ± ---	mm INCH INCH mm	DRAWN BY GWC	DATE 1996/01/08	TITLE .093/(2.36) HOUSINGS, PLUG AND RECEPTACLE, 3 CKT .264/(6.71) CTRS.			
		ANGULAR ± 1/2°		CHECKED BY RW	DATE 1996/01/08	MOLEX INCORPORATED			
		DRAFT WHERE APPLICABLE MUST REMAIN WITHIN DIMENSIONS		APPROVED BY RAS	DATE 1996/01/08	MATERIAL NO. SEE CHART	DOCUMENT NO. SD-3191-3*	SHEET NO. 2 OF 3	
THIS DRAWING CONTAINS INFORMATION THAT IS PROPRIETARY TO MOLEX INCORPORATED AND SHOULD NOT BE USED WITHOUT WRITTEN PERMISSION									

PLUG	
PART NO.	ENG. NO.
I9-09-2038	3191-3P
I9-09-2039	3191-3PI
I9-09-2037	3191-3P-201
I9-09-2036	3191-3PI-201
I9-09-1038	3191-3PIRD OBSOLETE
I9-09-3032	3191-3PRD OBSOLETE
I9-09-3033	3191-3PBU

RECEPTACLE	
PART NO.	ENG. NO.
I9-09-1039	3191-3RI
I9-09-1036	3191-3RI-201
I9-09-3030	3191-3RIRD OBSOLETE
I9-09-5039	3191-3RI-2

LEGEND

3191-3****-*

CIRCUIT SIZE

P = PLUG
R = RECEPTACLE

EARS: BLANK = WITH PREBENT EARS (PLUG ONLY)
I = WITHOUT EARS

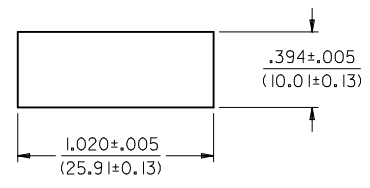
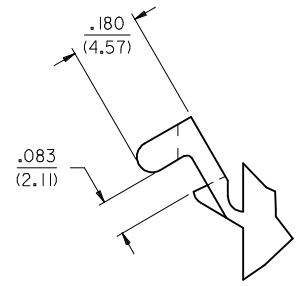
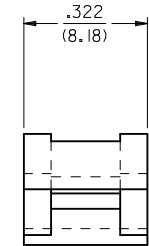
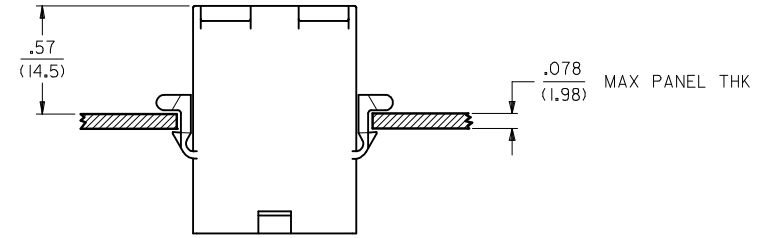
COLOR: BLANK = NATURAL COLOR

AM=AMBER BK=BLACK BU=BLUE
BN=BROWN GY=GRAY GN=GREEN
OR=ORANGE RD=RED YW=YELLOW

COLORS AVAILABLE ONLY IN 94V-2 MATERIAL

MATERIAL: BLANK=NYLON TYPE 6/6,94V-2
2 = NYLON TYPE PA66, 94V-0
20I=NYLON TYPE 6/6, 94V-0

- NOTES:
- MATERIAL: SEE LEGEND
 - FINISH: NONE
 - PRODUCT SPECIFICATION: PS-02-08
 - PACKAGING SPECIFICATION: PK-3191-001
 - PARTS CONFORM TO CLASS B REQUIREMENTS OF COSMETIC SPECIFICATION PS-45499-002.



RECOMMENDED HOLE CUTOUT

DETAIL "A"
PREBENT MOUNTING EAR
(SCALE 4:1)

UPDATE REV. LEVEL EC NO: UCP2014-2106 DRWNAELHAG 2013/11/12 CHKD: APPR:FSMLTH 2013/11/13 REV:	QUALITY SYMBOLS	GENERAL TOLERANCES (UNLESS SPECIFIED) <table border="1"> <tr><th></th><th>mm</th><th>INCH</th></tr> <tr><td>4 PLACES</td><td>± .010</td><td>± .0004</td></tr> <tr><td>3 PLACES</td><td>± .015</td><td>± .0006</td></tr> <tr><td>2 PLACES</td><td>± 0.25</td><td>± .010</td></tr> <tr><td>1 PLACE</td><td>± 0.38</td><td>± .015</td></tr> </table>		mm	INCH	4 PLACES	± .010	± .0004	3 PLACES	± .015	± .0006	2 PLACES	± 0.25	± .010	1 PLACE	± 0.38	± .015	DIMENSION STYLE	SCALE	DESIGN UNITS	THIRD ANGLE PROJECTION
			mm	INCH																	
	4 PLACES	± .010	± .0004																		
	3 PLACES	± .015	± .0006																		
2 PLACES	± 0.25	± .010																			
1 PLACE	± 0.38	± .015																			
	IN/MM	2:1	INCH																		
		ANGULAR ±1/2°	DRAWN BY DATE	TITLE																	
		DRAFT WHERE APPLICABLE MUST REMAIN WITHIN DIMENSIONS	GWC 1996/01/08	.093/(2.36) HOUSINGS, PLUG AND RECEPTACLE, 3 CKT .264/(6.71) CTRS.																	
			CHECKED BY DATE	MOLEX INCORPORATED																	
			RW 1996/01/08																		
			APPROVED BY DATE																		
			RAS 1996/01/08																		
			MATERIAL NO.	DOCUMENT NO.																	
			SEE CHART	SD-3191-3*		SHEET NO. 3 OF 3															
			SIZE	THIS DRAWING CONTAINS INFORMATION THAT IS PROPRIETARY TO MOLEX INCORPORATED AND SHOULD NOT BE USED WITHOUT WRITTEN PERMISSION																	